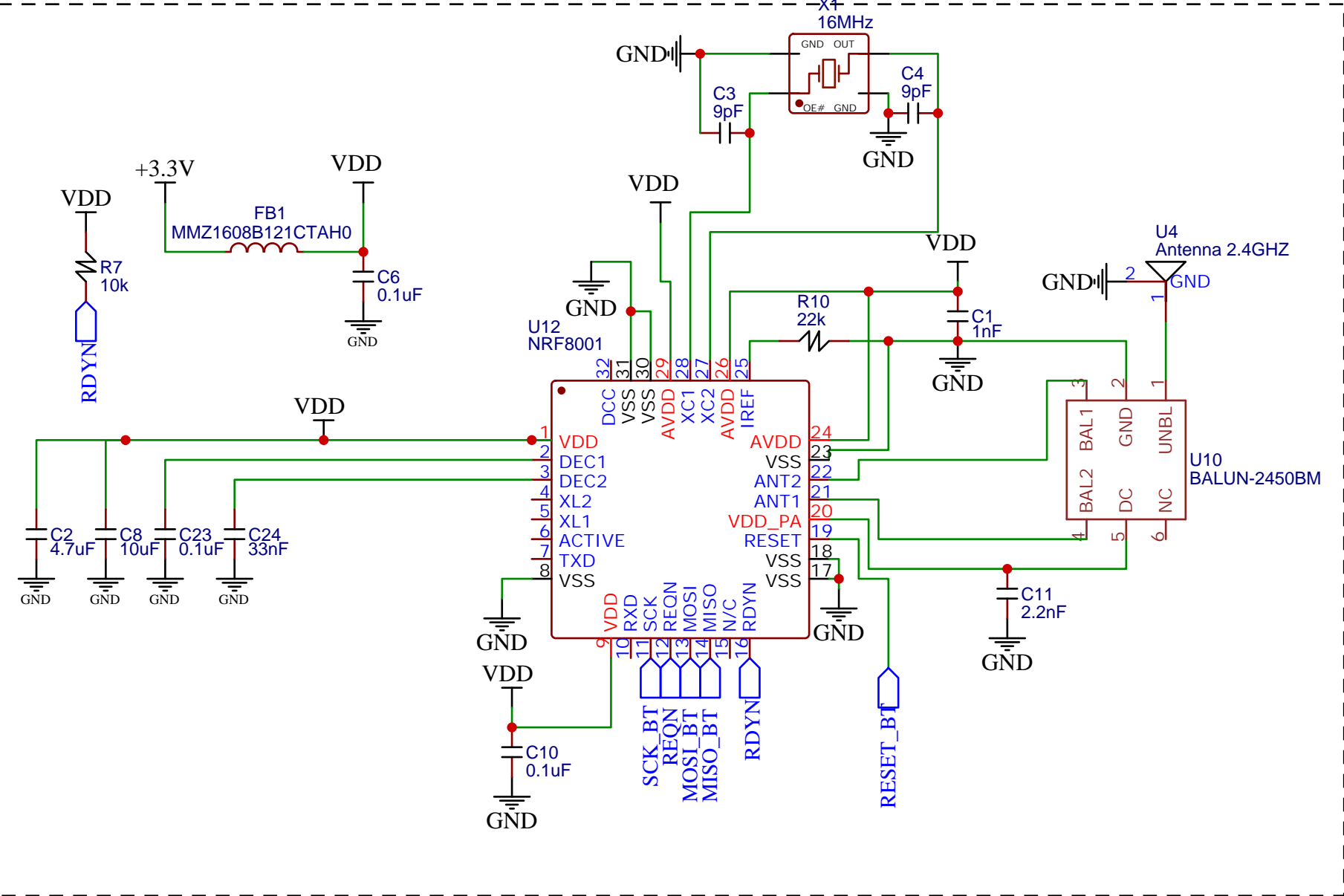
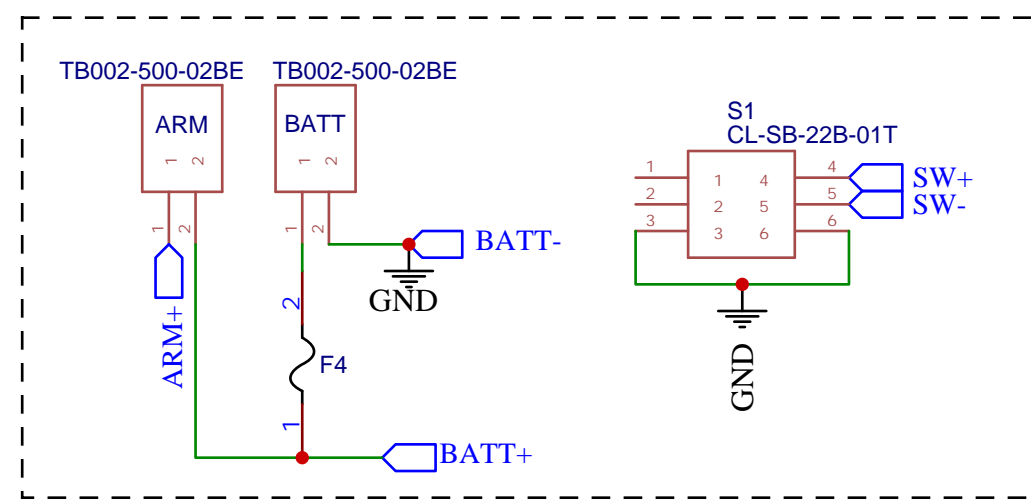


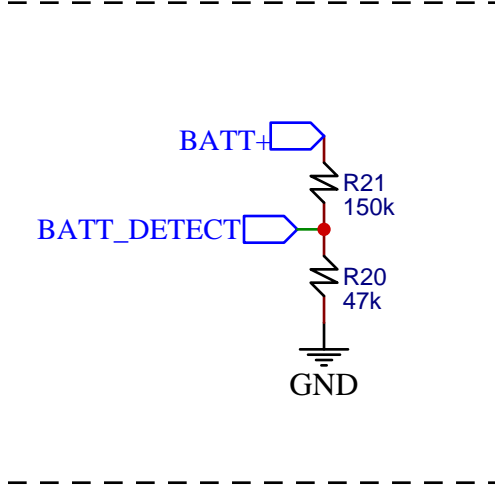
BLUETOOTH (NRF8001)



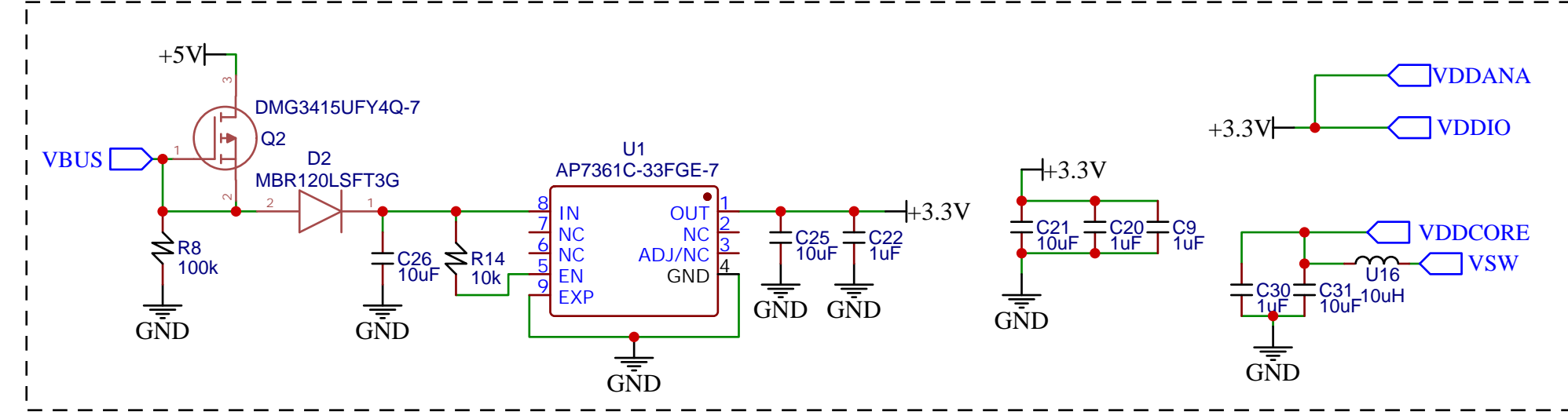
POWER AND ARM



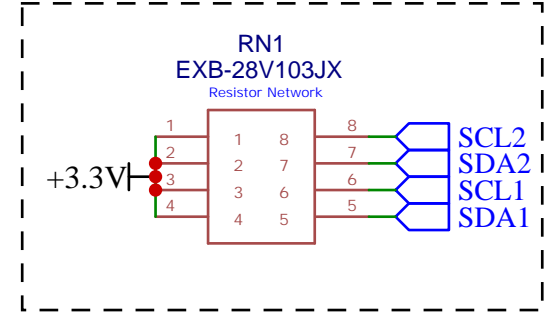
BATT DETECT



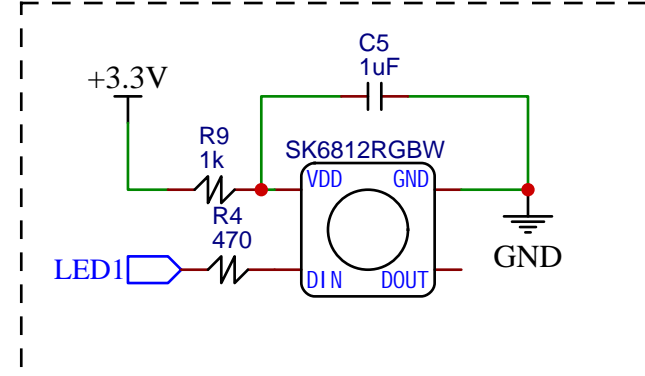
POWER AND FILTERING MCU 3.3V



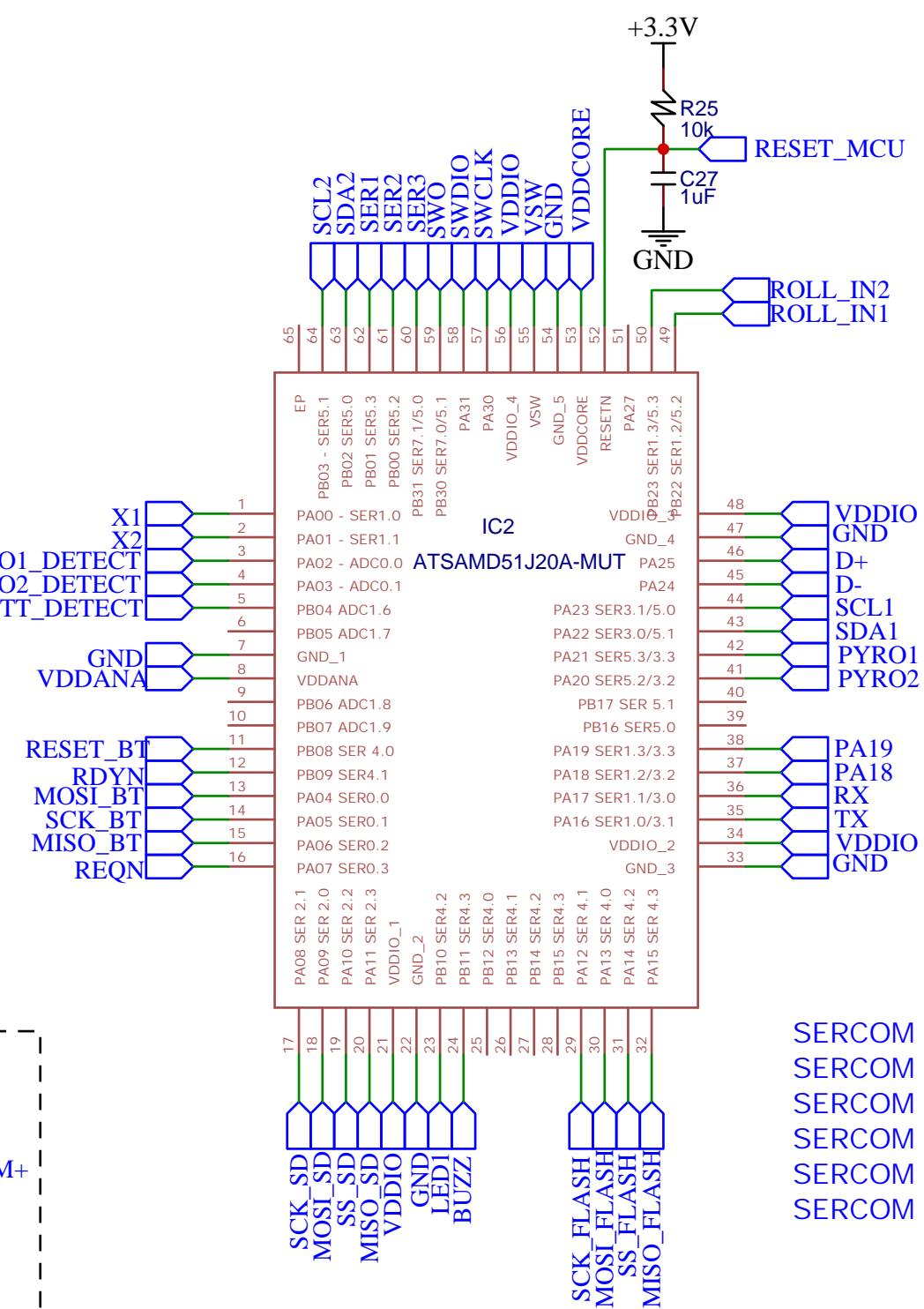
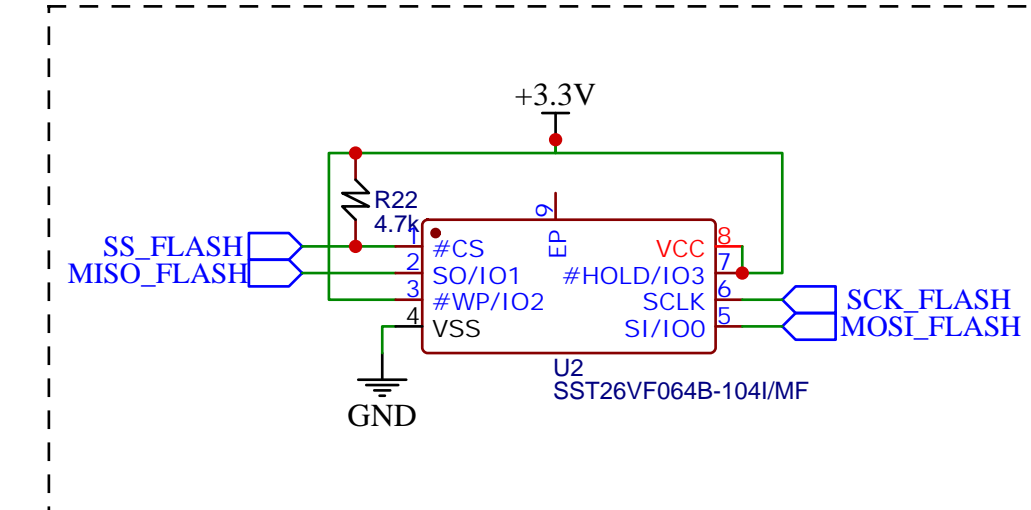
I2C Pullups



STATUS LED

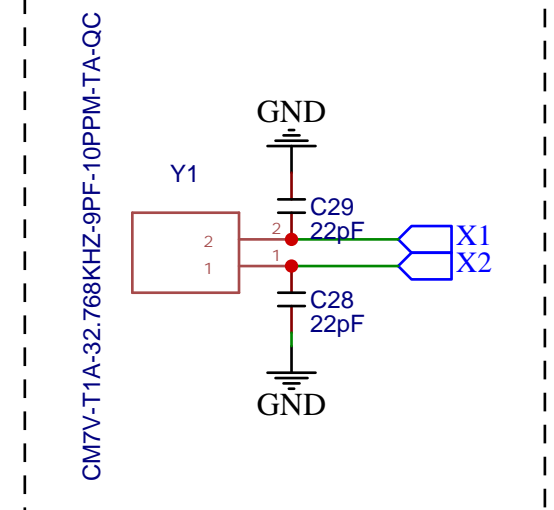


FLASH

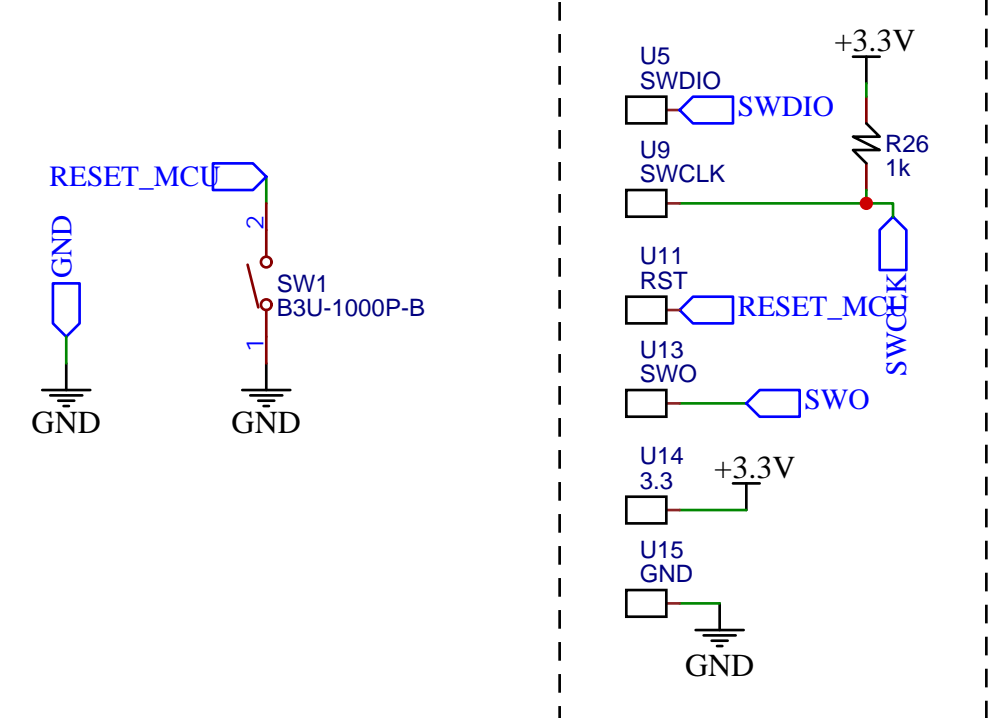


SERCOM 0 - SPI BT  
SERCOM 3 - I2C 1  
SERCOM 5 - I2C 2  
SERCOM 2 - SPI SD  
SERCOM 4 - SPI FLASH  
SERCOM 1 - UART

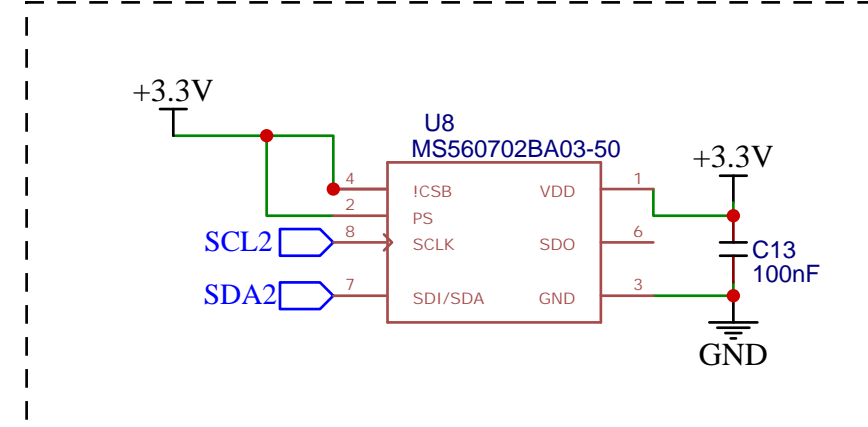
CRYSTAL



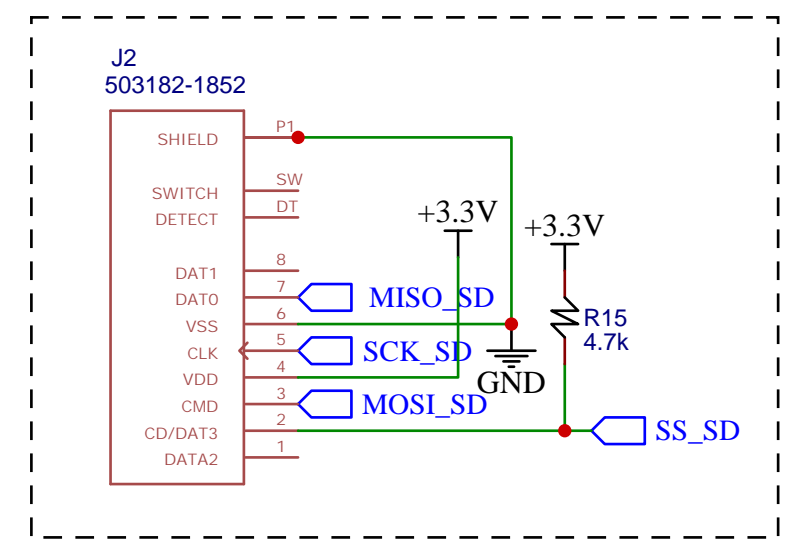
SWD PADS



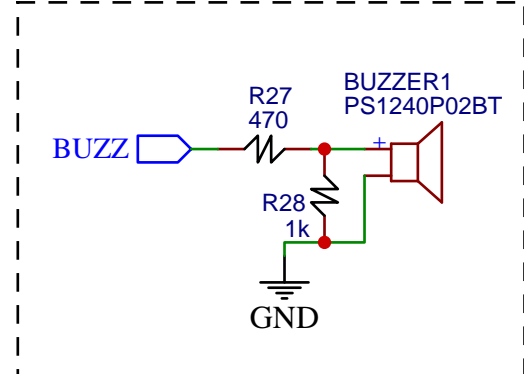
Altimeter



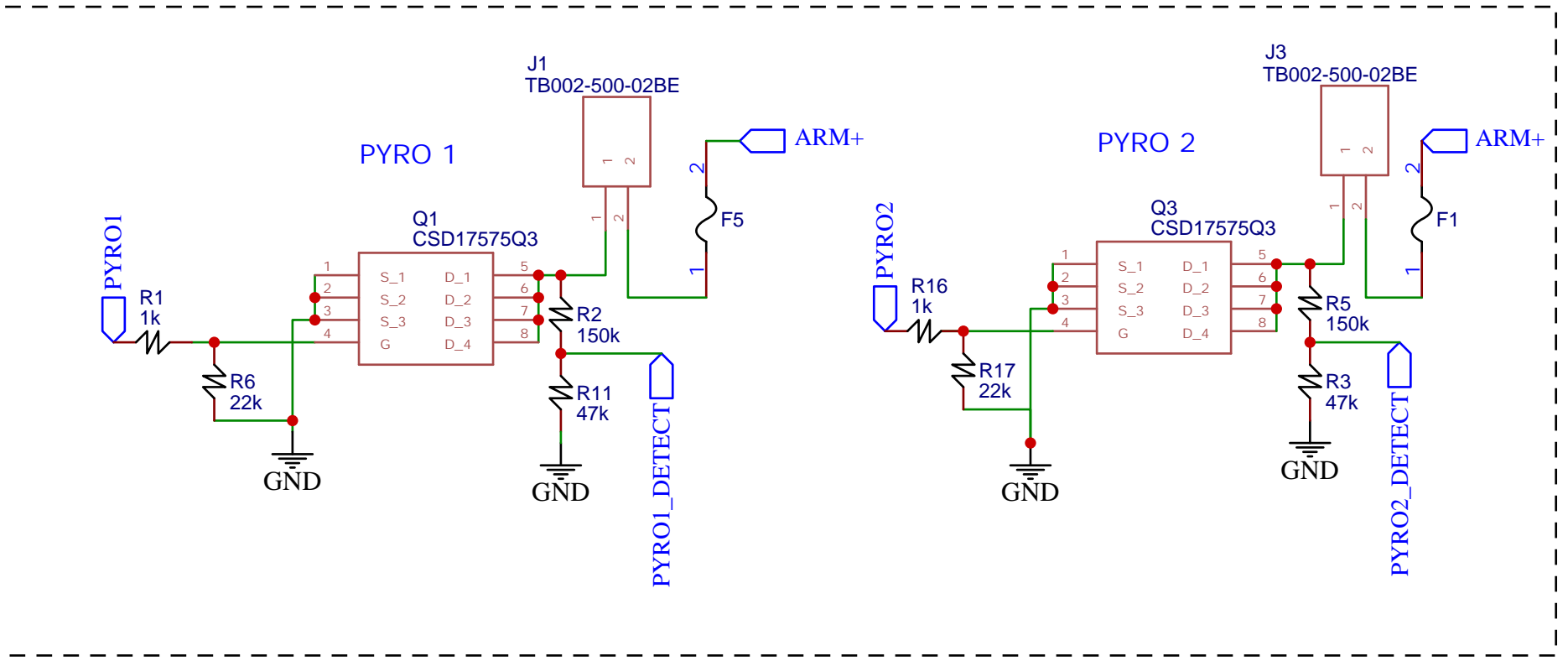
SD CARD



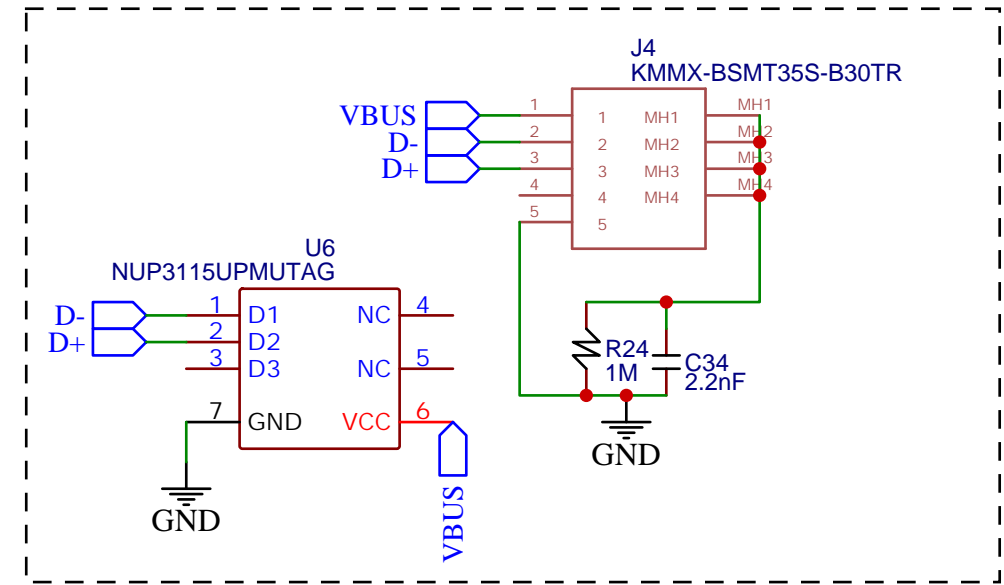
BUZZER



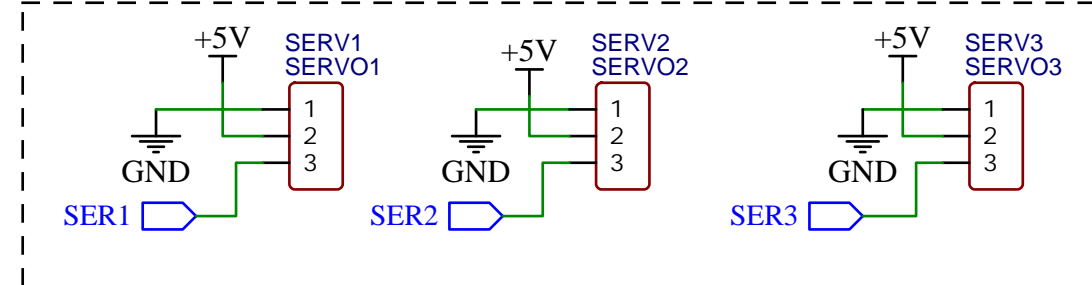
PYROS



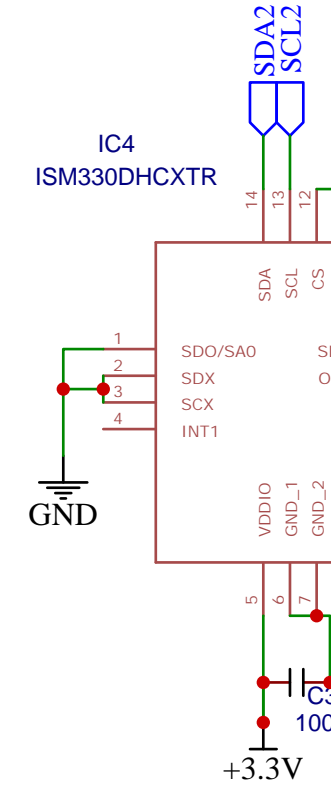
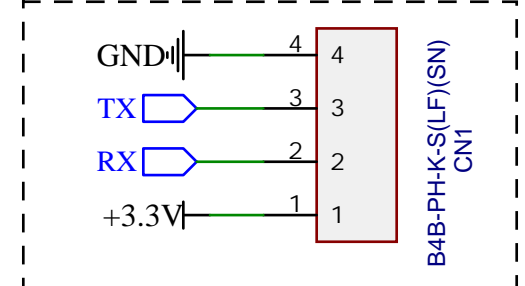
USB and Transient Protection



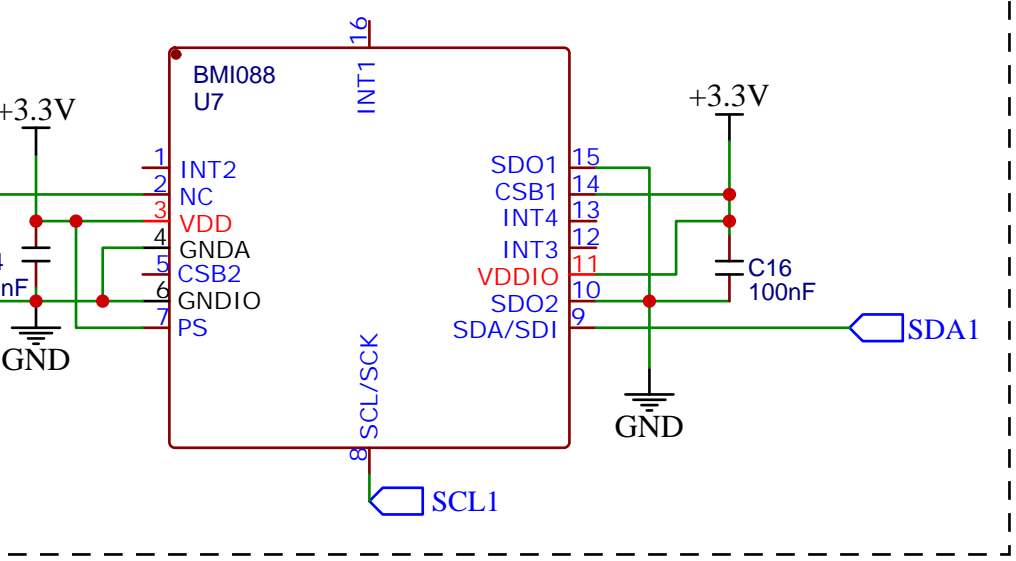
SERVOs



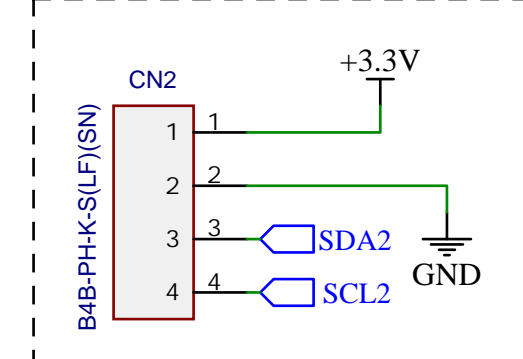
UART



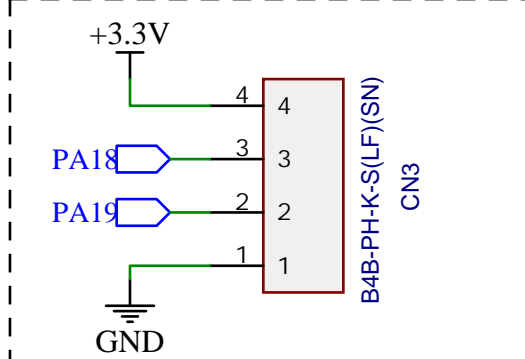
BMI088



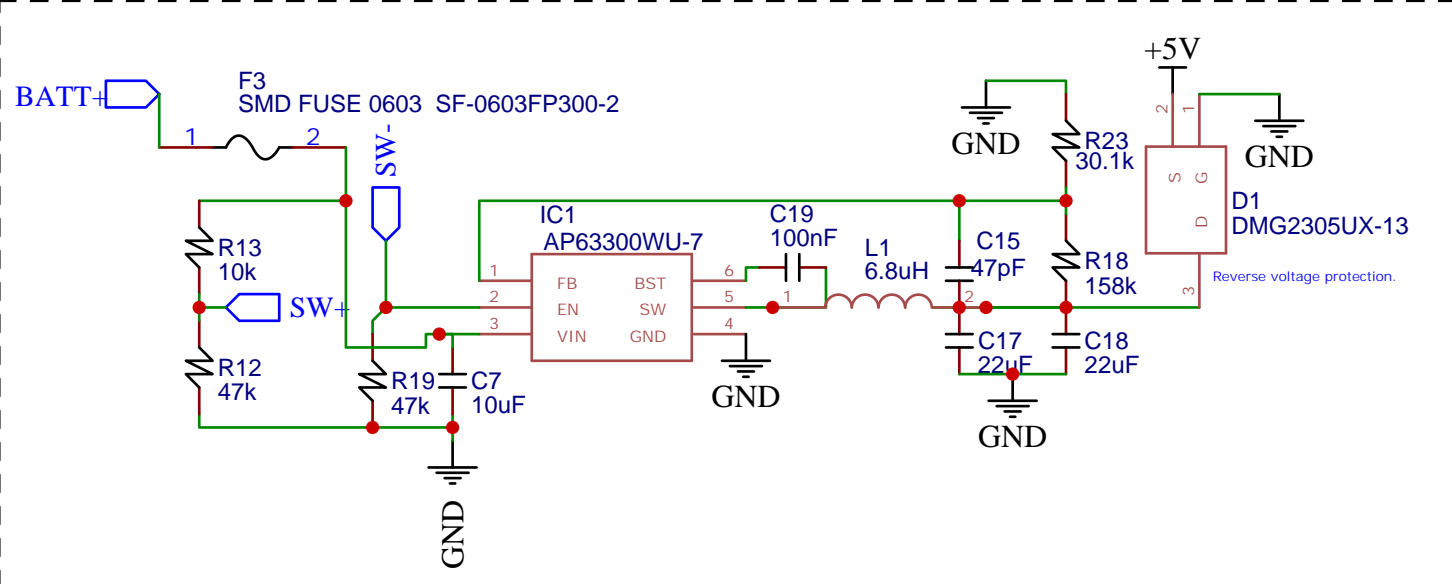
I2C 2



AUX PINS



5V (3A) Supply



ROLL CONTROL MOTOR H-BRIDGE

