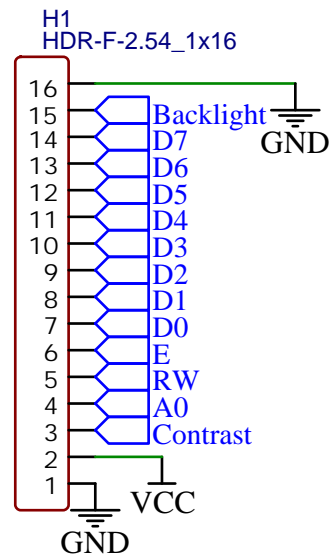
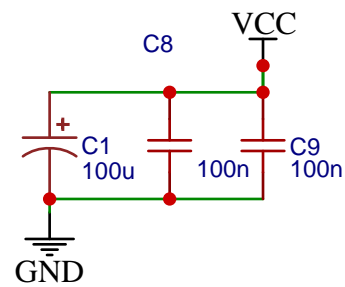
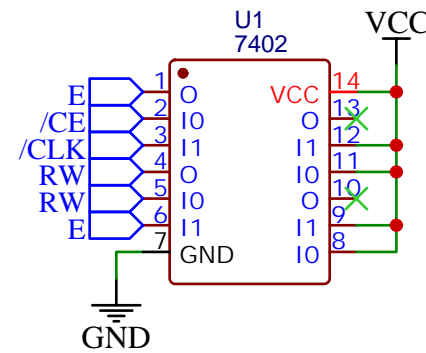
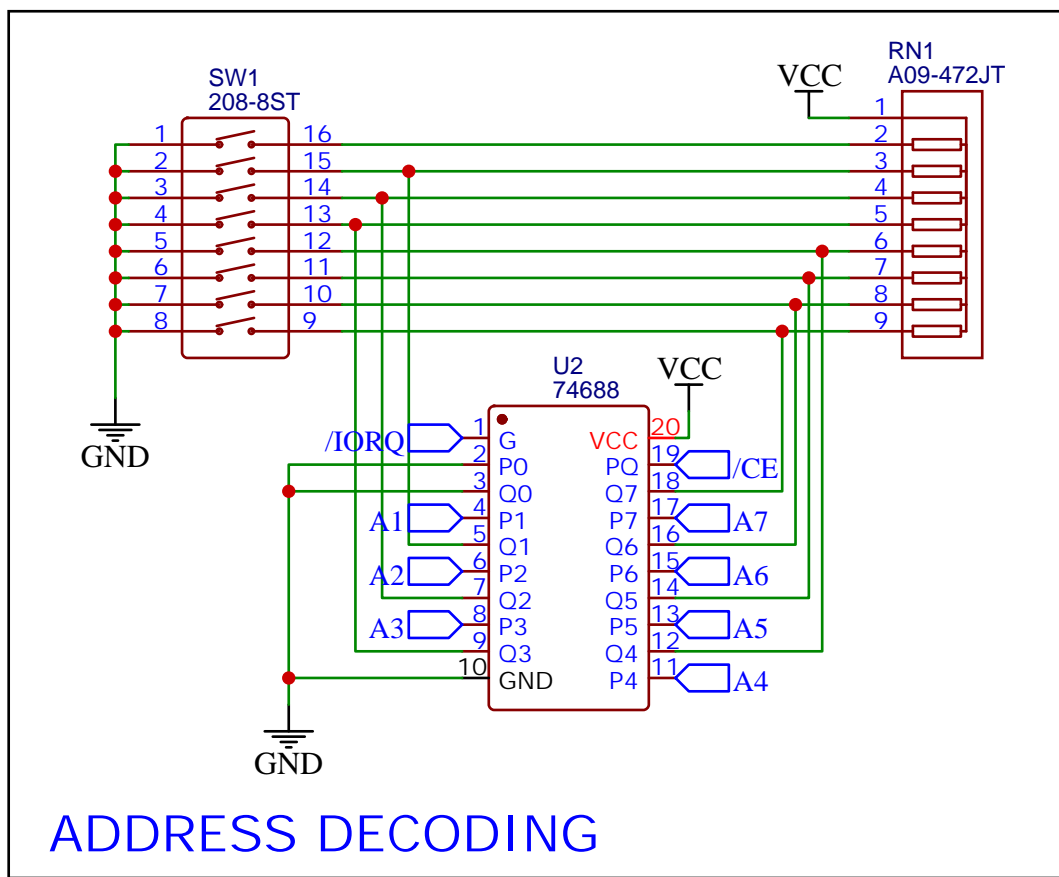
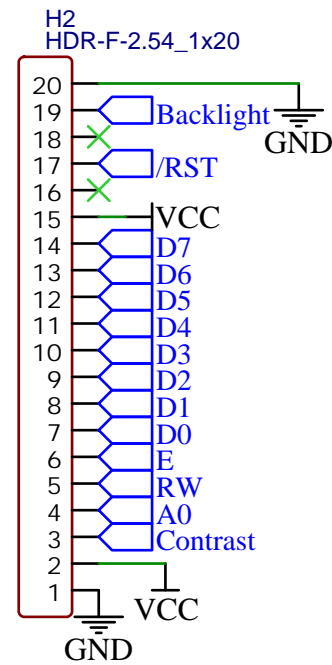


Character LCD



12864B Graphics LCD



TITLE: HBC-56 LCD Display Card		REV: 0.1
EasyEDA	Company: Troy Schrapel	Sheet: 1/1
	Date: 2021-07-08	Drawn By: visrealm