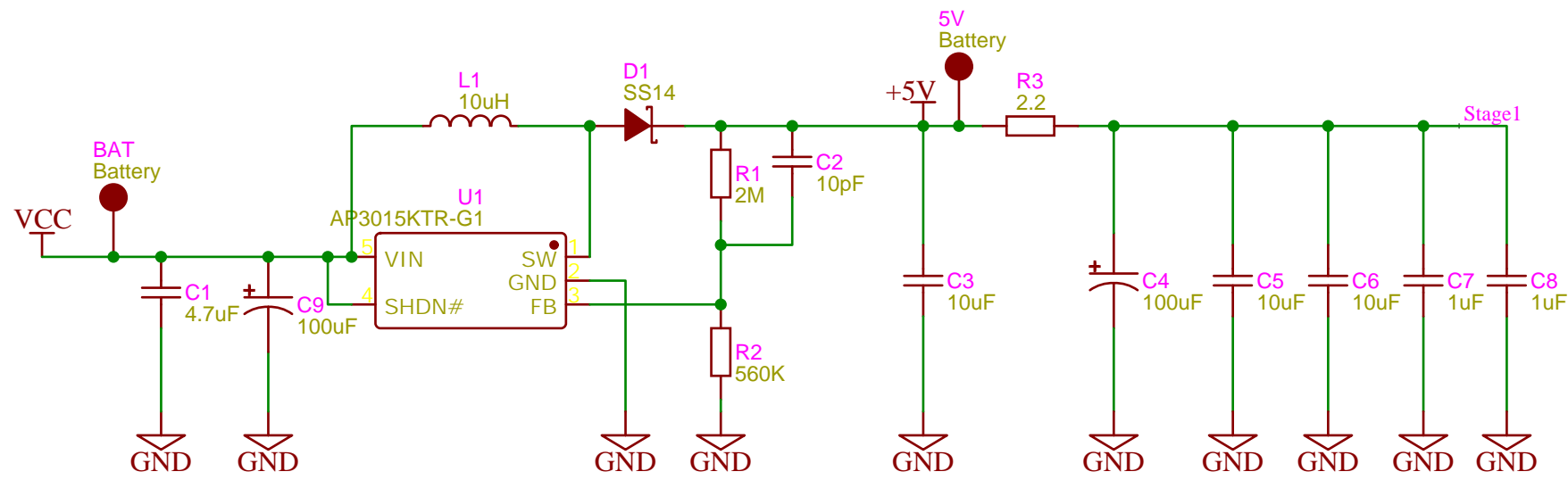


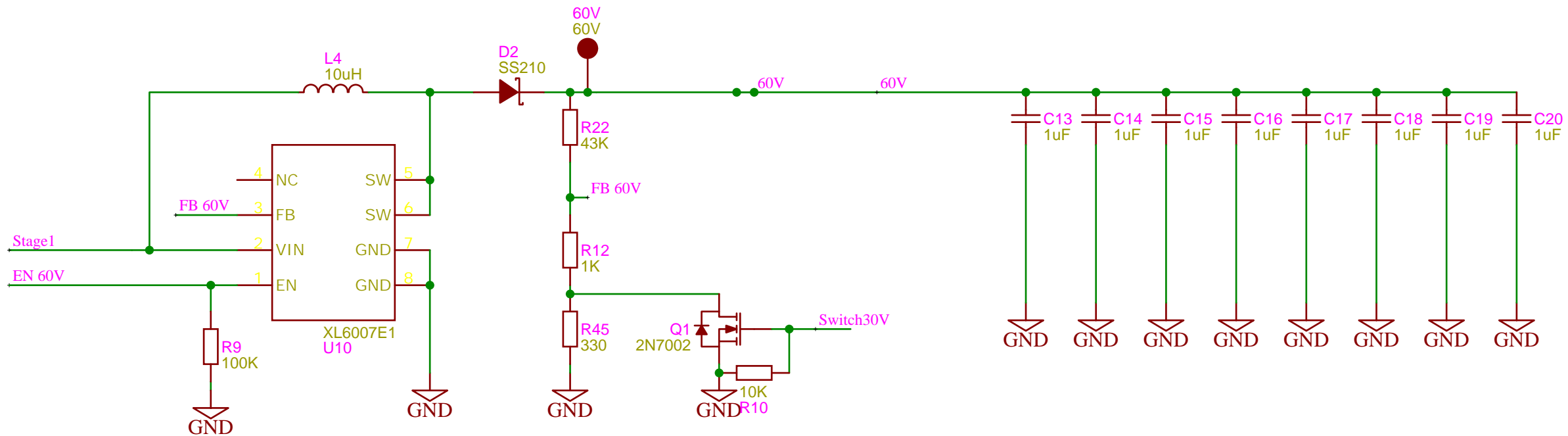
5V Supply

Battery powered.
Works down to 2V



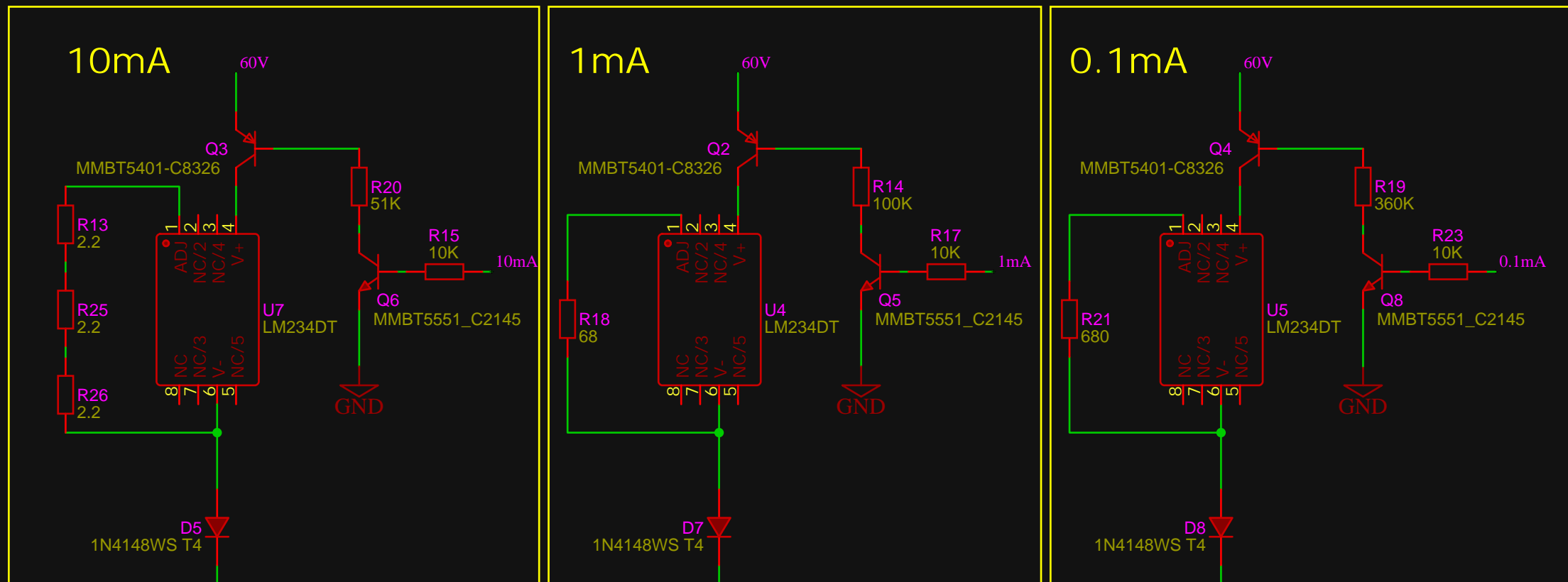
60V / 40V Supply

Can be switched to ~42V or ~56V
Beware of HV (parts beyond rating!)

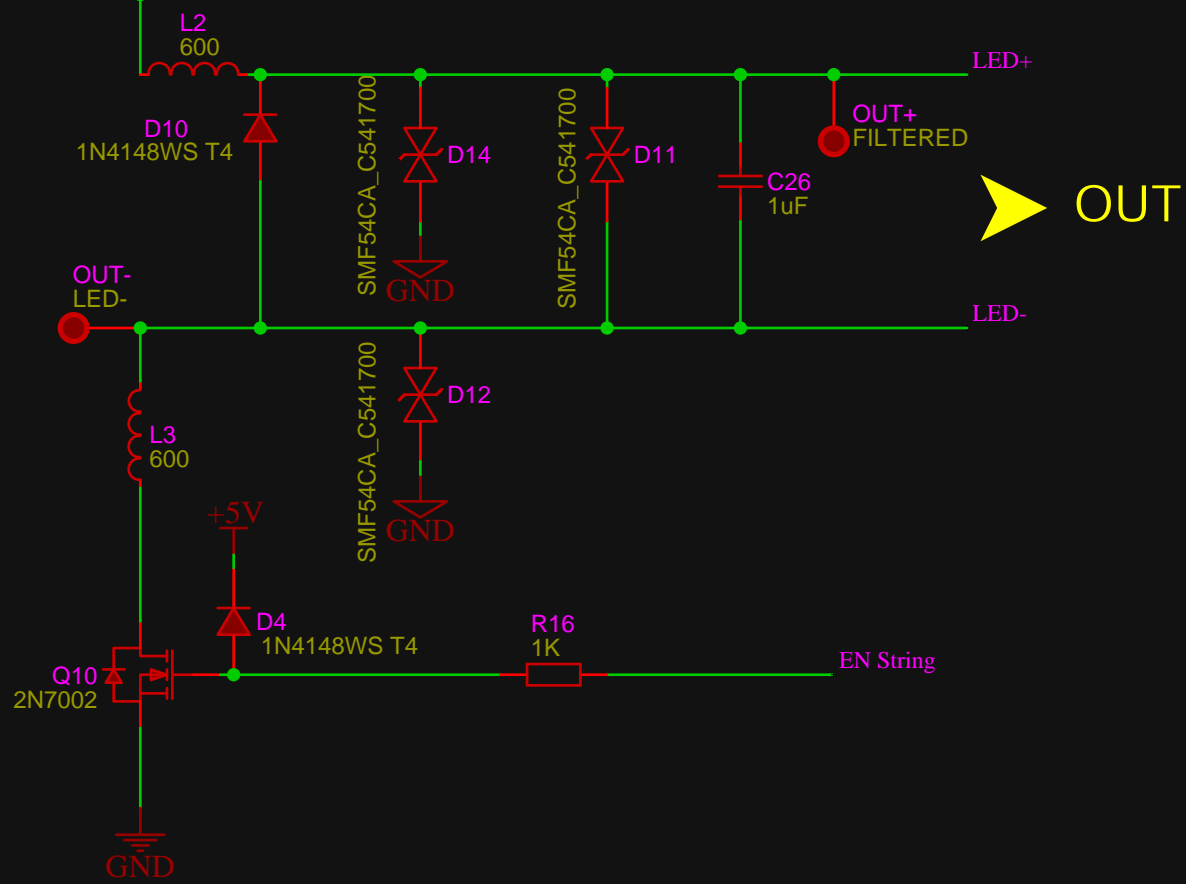


| | |
|---------------------------------|------------|
| TITLE: Sheet_1 | REV: 1.0 |
| Company: Your Company | Sheet: 1/1 |
| Date: 2021-03-23 Drawn By: maxs | |



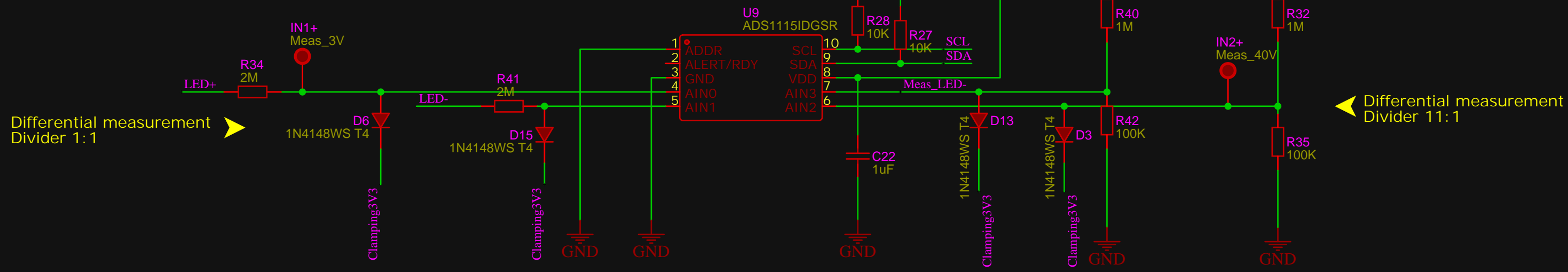


UNFILTERED_1



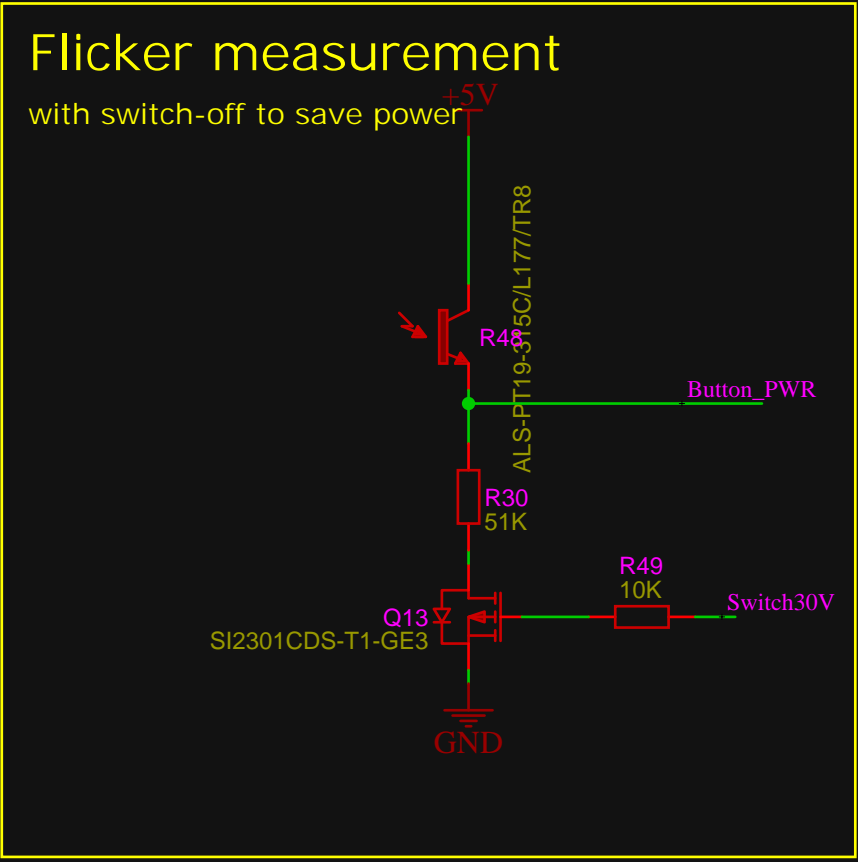
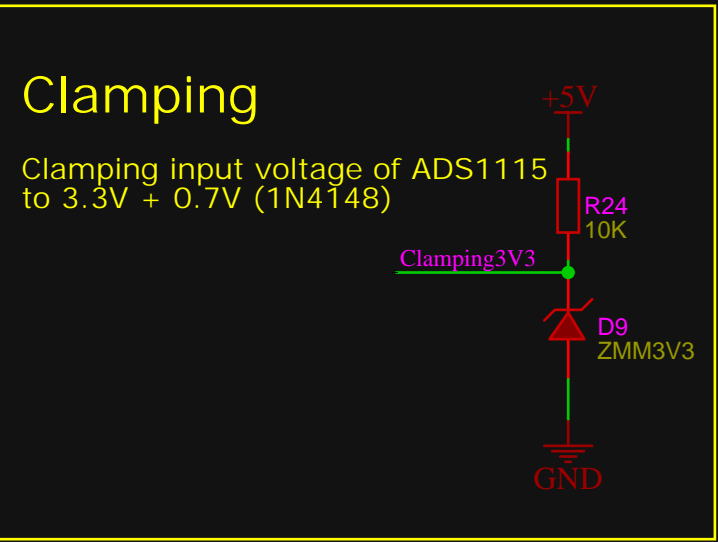
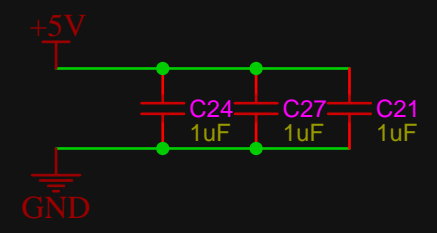
OUT

| | | |
|----------------|-----------------------|----------------|
| TITLE: Sheet_1 | | REV: 1.0 |
| | Company: Your Company | Sheet: 1/1 |
| | Date: 2021-03-23 | Drawn By: maxs |

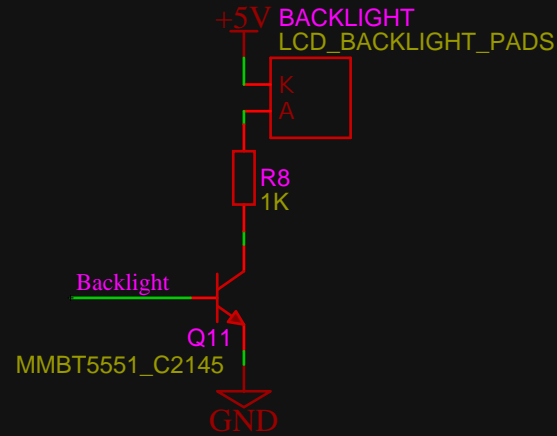
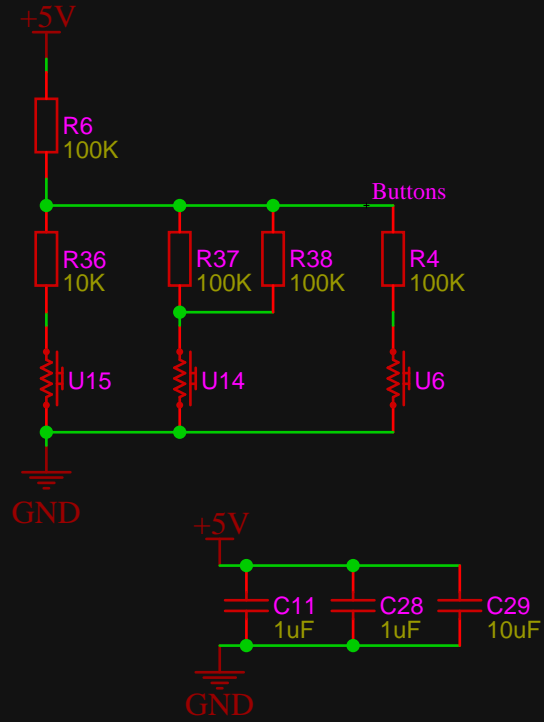


Differential measurement
Divider 1:1

Differential measurement
Divider 11:1

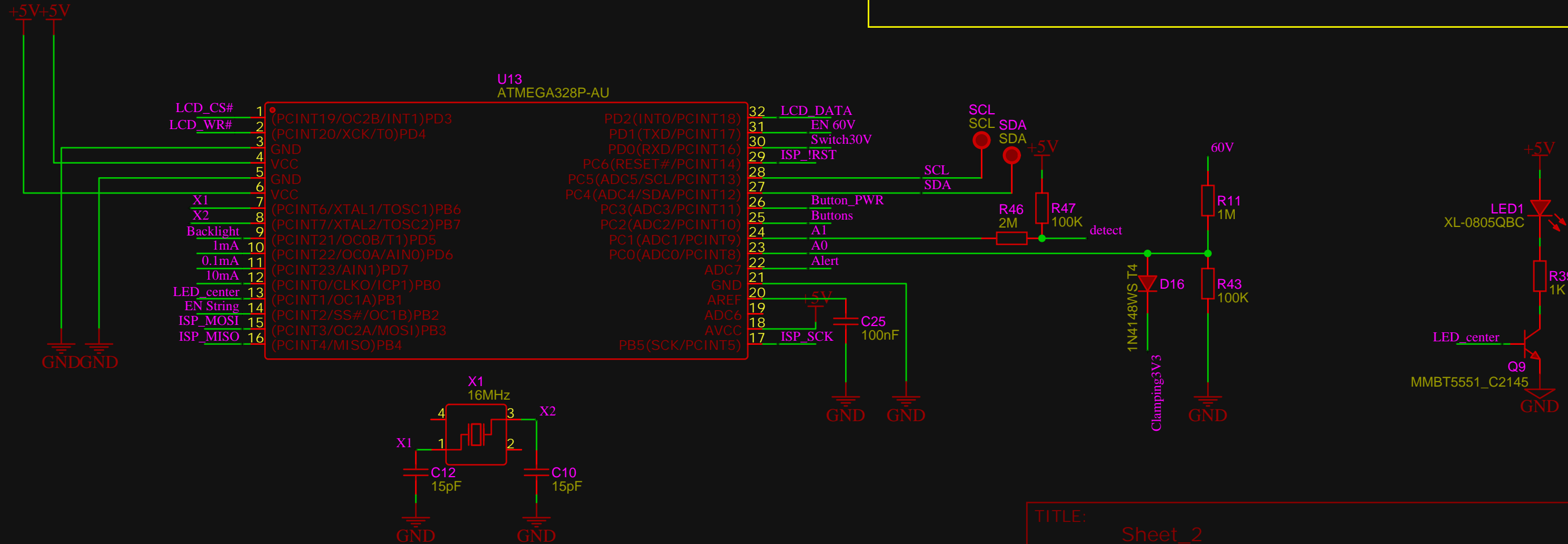
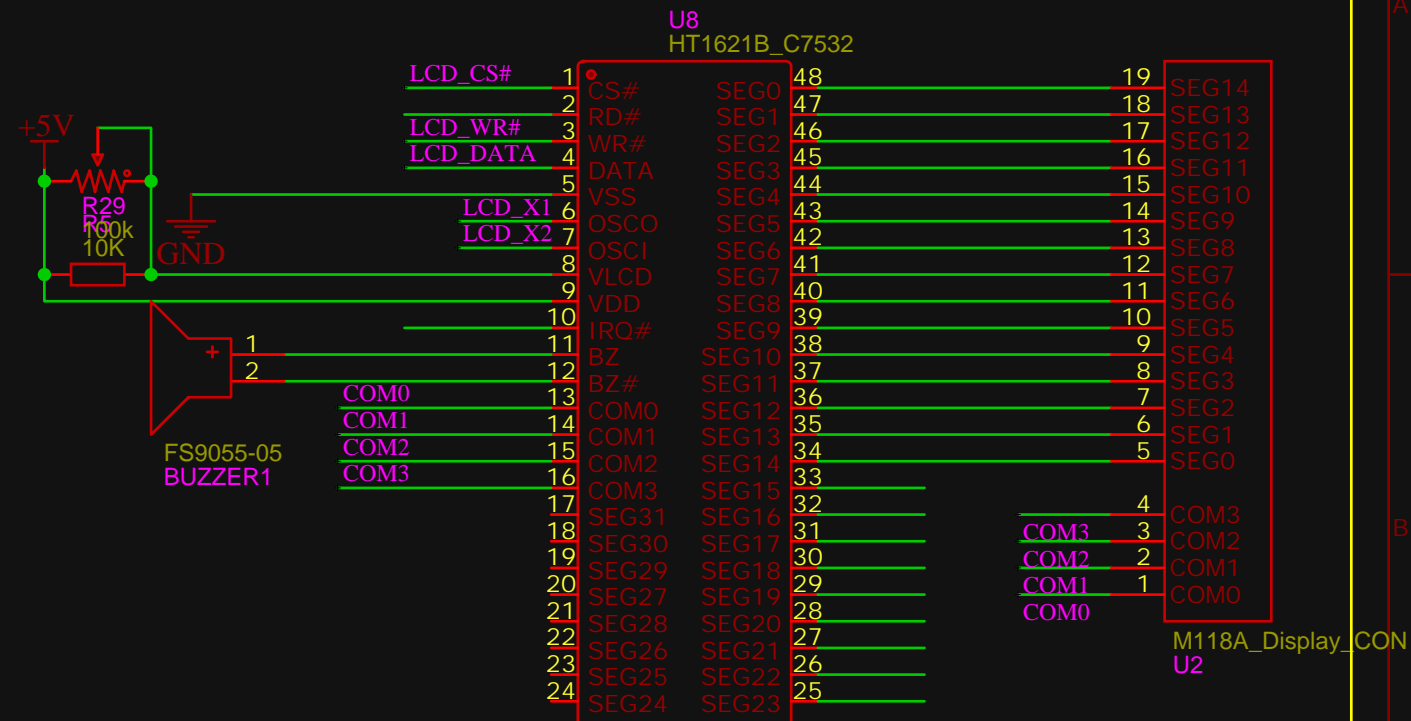


| | | |
|----------------|-----------------------|----------------|
| TITLE: Sheet_1 | | REV: 1.0 |
| | Company: Your Company | Sheet: 1/1 |
| | Date: 2021-03-24 | Drawn By: maxs |



Display driver

see documentation for segment assignment

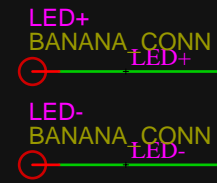
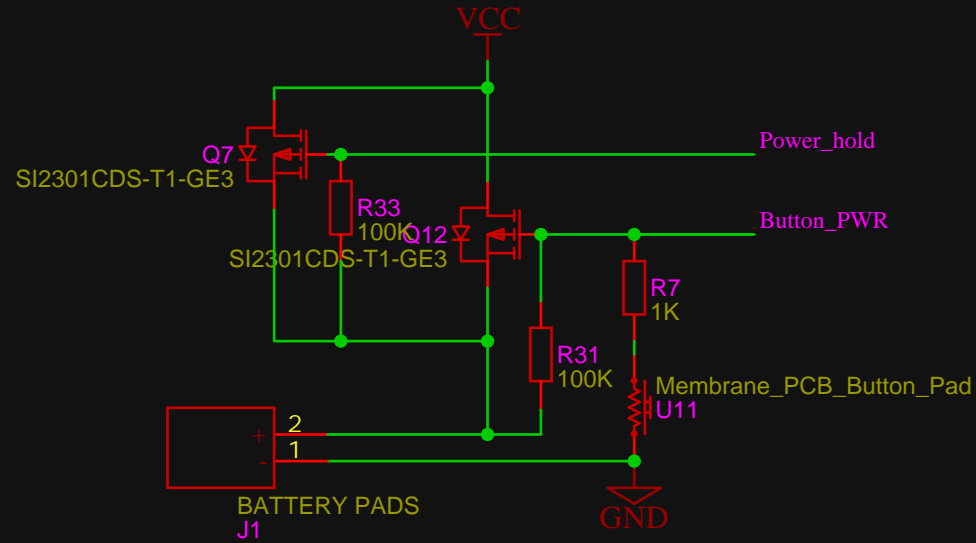


Power

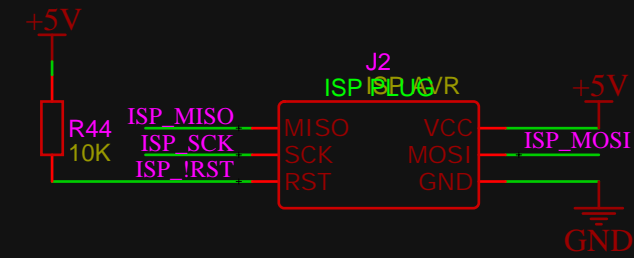
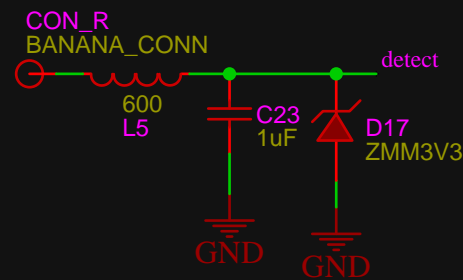
Power-Up : Membrane switch enables MOSFET
 Power-Hold : uC enables parallel MOSFET

Membrane switch is needed as input later
 P-CH (high-side switching)

Battery input
 3V
 2x AAA



Short detection



| | | |
|----------------|-----------------------|----------------|
| TITLE: Sheet_1 | | REV: 1.0 |
| | Company: Your Company | Sheet: 1/1 |
| | Date: 2021-03-26 | Drawn By: maxs |