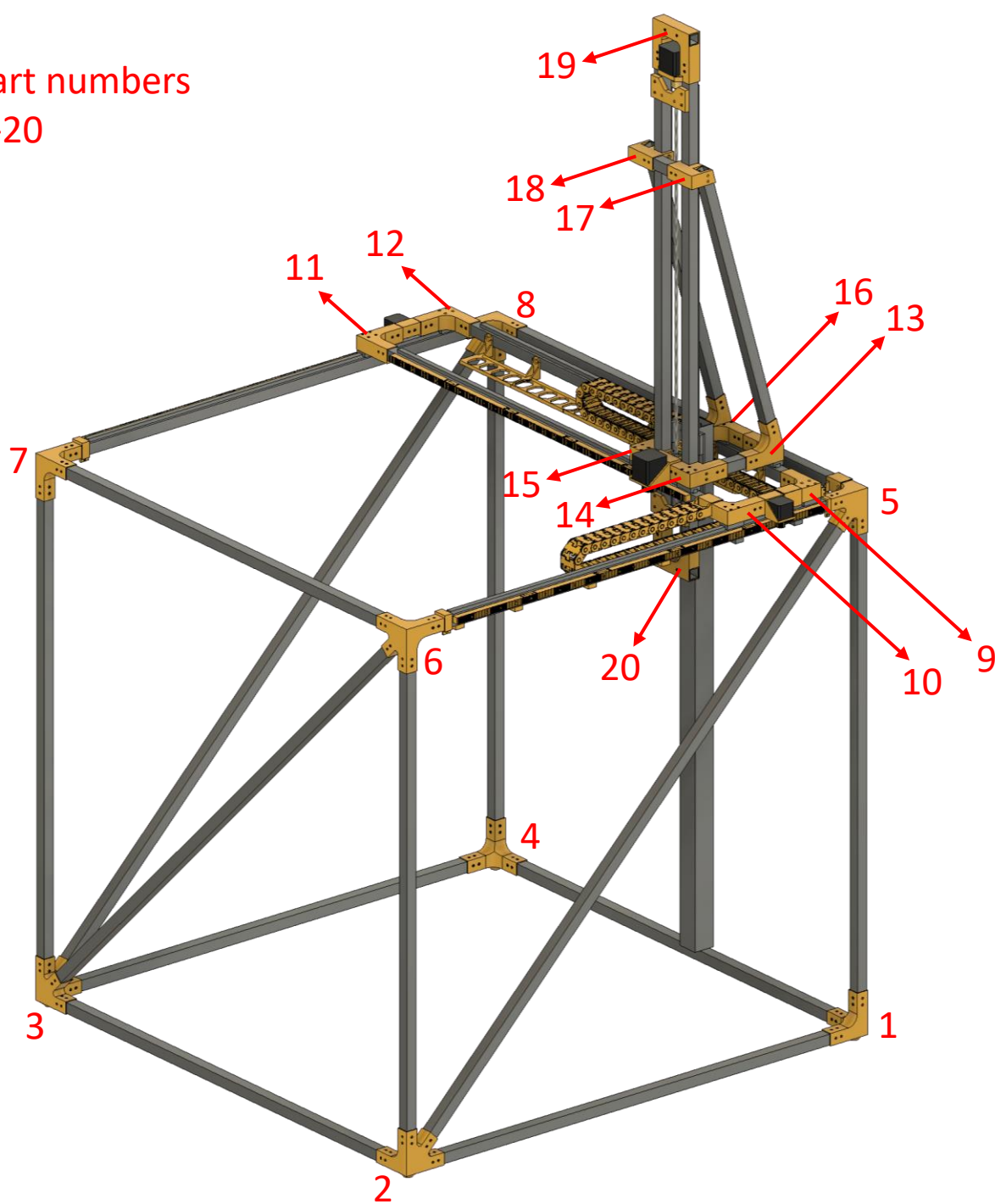


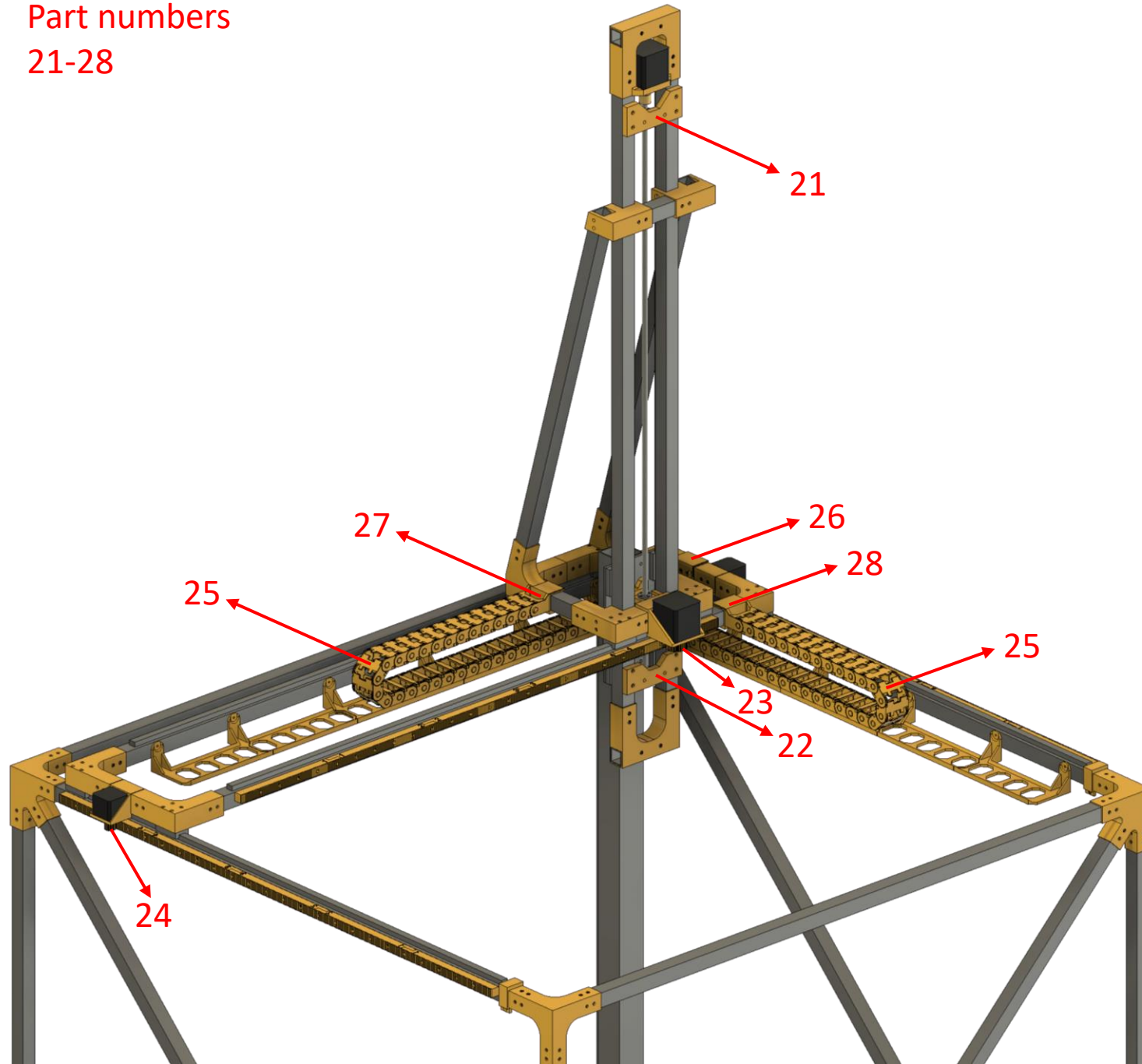
Part numbers
1-20



Description and file names:

- 1: Frame corner 1
- 2: Frame corner 2
- 3: Frame corner 3
- 4: Frame corner 4
- 5: Frame corner 5
- 6: Frame corner 6
- 7: Frame corner 7
- 8: Frame corner 8
- 9: Y-axis corner 1
- 10: Y-axis corner 2
- 11: Y-axis corner 3
- 12: Y-axis corner 4
- 13: X-axis corner 1
- 14: X-axis corner 2
- 15: X-axis corner 3
- 16: X-axis corner 4
- 17: Z-axis support 1
- 18: Z-axis support 2
- 19: Z-axis motor mount
- 20: Z-axis end piece

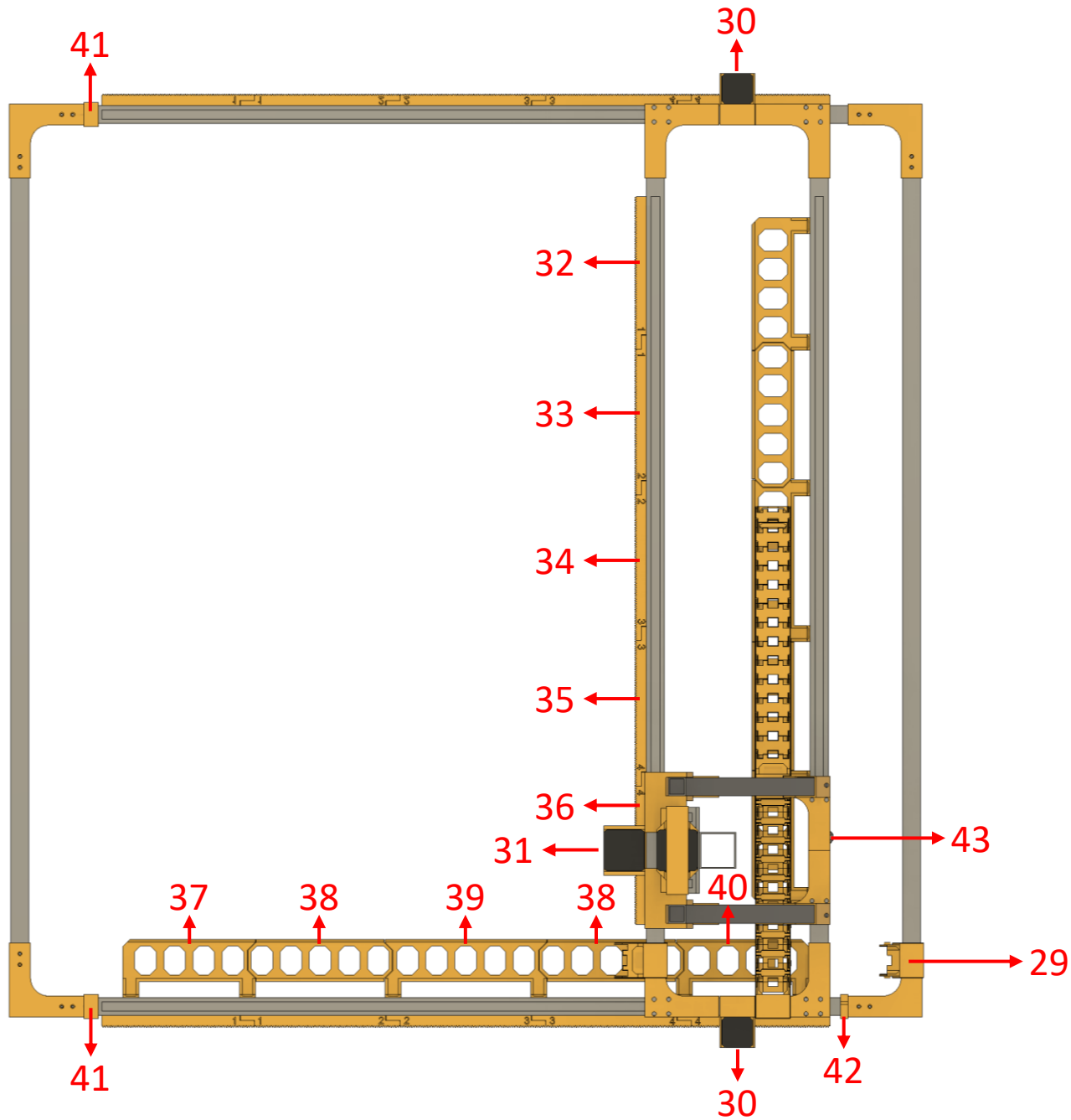
Part numbers
21-28



Description and file names:

- 21: Z-axis bearing support 1
- 22: Z-axis bearing support 2
- 23: X-axis motor pinion gear
- 24: Y-axis motor pinion gear
- 25: Cable chain
- 26: Cable chain X-axis end piece 1
- 27: Cable chain X-axis end piece 2
- 28: Cable chain Y-axis end piece 1

Part numbers
29-43



Description and file names:
29: Cable chain Y-axis end piece 2
30: Y-axis motor mount
31: X-axis motor mount
32: Gear rack 1
33: Gear rack 2
34: Gear rack 3
35: Gear rack 4
36: Gear rack 5
37: Cable chain support 1
38: Cable chain support 2-4
39: Cable chain support 3
40: Cable chain support 5
41: Hard end stop
42: Limit switch mount
43: Cable tie mount