

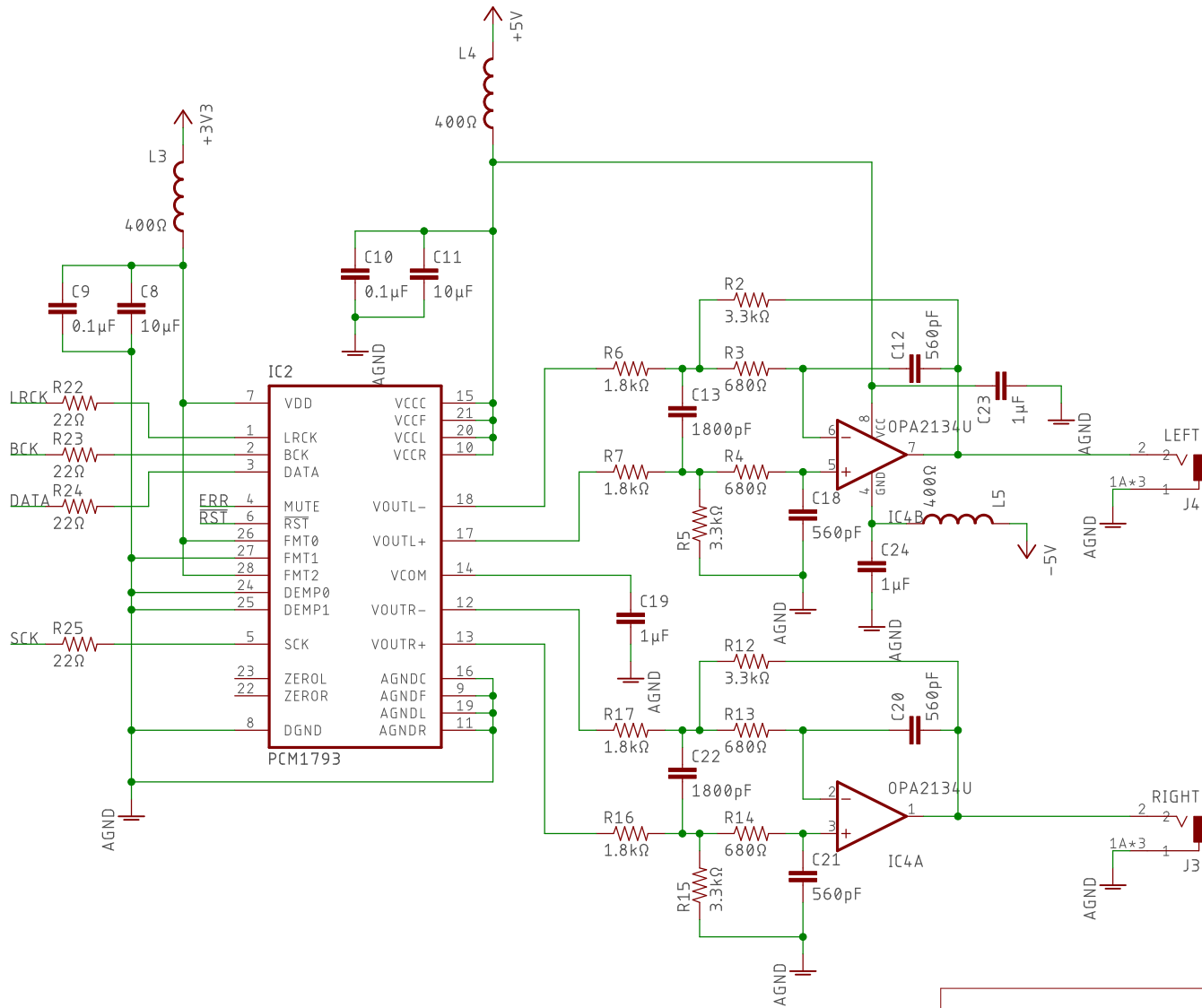
TITLE: TOSLINK\_DAC\_v1\_5

Document Number:

REV:

Date: 10/24/21 4:04 PM

Sheet: 1/2



TITLE: TOSLINK\_DAC\_v1\_5

Document Number:

REV:

Date: 10/24/21 4:04 PM

Sheet: 2/2