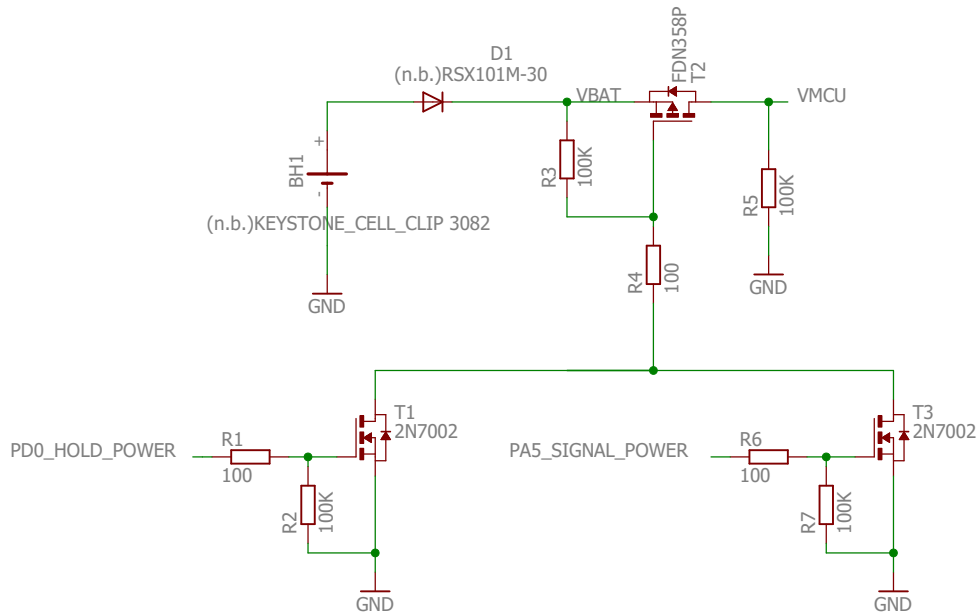
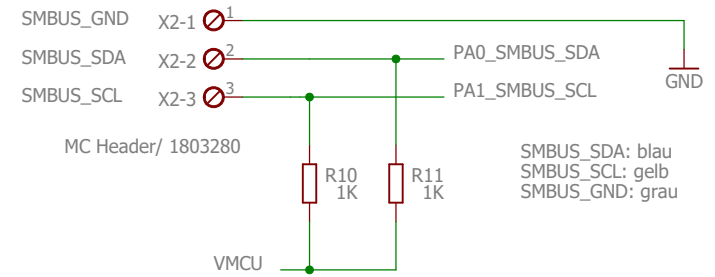


todo: Footprint R13 mit C 10nF bestücken zwecks Tastenentprellung

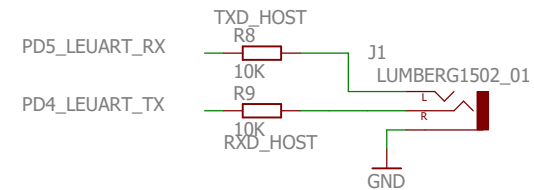
## EFM32 Power



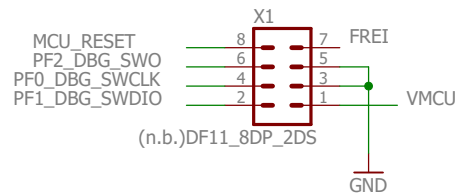
## SMBUS / ATmega 32 HVB



## LEUART



## Debug Interface



## Messpin GND



EFM32 Power + SMBus + LEUART  
+ Debug Interface + Messpin GNG

TITLE: HRD\_2016

Document Number:

REV:

Date: 14.03.2019 10:29

Sheet: 1/3

# EFM32 I/O + POWER

EFM32G230F128	
PA0_SMBUS_SDA	1 PA0/I2C0_SDA#0/TIM0_CC0#0,1
PA1_SMBUS_SCL	2 PA1/CMU_CLK1#0/I2C0_SCL#0/TIM0_CC1#0,1
	3 PA2/CMU_CLK0#0/TIM0_CC2#0,1
PA3_KEY_PREV	4 PA3/TIM0_CDTI0#0
PA4_KEY_NEXT	5 PA4/TIM0_CDTI1#0
PA5_SIGNAL_POWER	6 PA5/LEU1_TX#1/TIM0_CDTI2#0
	7 PA6/LEU1_RX#1
PA8_LCD_POWER	17 PA8/TIM2_CC0#0
	18 PA9/TIM2_CC1#0
	19 PA10/TIM2_CC2#0

IC1A

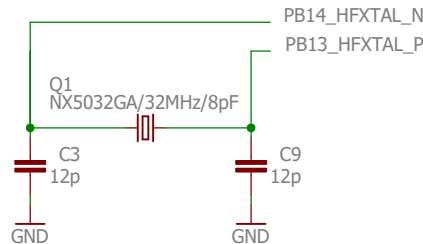
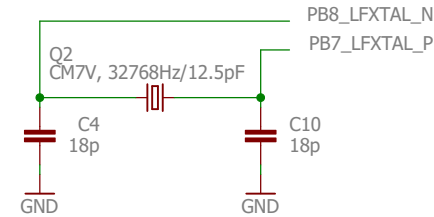
EFM32G230F128	
PB7_LFXTAL_P	15 PB7/LFXTAL_P/US1_CLK#0
PB8_LFXTAL_N	16 PB8/LFXTAL_N/US1_CS#0
	21 PB11/DAC0_OUT0/OPAMP_OUT0/LETIM0_OUT0#1
	22 PB12/DAC0_OUT1/OPAMP_OUT1/LETIM0_OUT1#1
PB13_HFXTAL_P	24 PB13/HFXTAL_P/LEU0_TX#1
PB14_HFXTAL_N	25 PB14/HFXTAL_N/LEU0_RX#1

IC1B

EFM32G230F128	
PE8_LCD_DATA_D0	56 PE8/PCNT2_S0IN#1
PE9_LCD_DATA_D1	57 PE9/PCNT2_S1IN#1
PE10_LCD_DATA_D2	58 PE10/TIM1_CC0#1/US0_TX#0
PE11_LCD_DATA_D3	59 PE11/TIM1_CC1#1/US0_RX#0
PE12_LCD_DATA_D4	60 PE12/TIM1_CC2#1/US0_CLK#0
PE13_LCD_DATA_D5	61 PE13/ACMP0_O/US0_CS#0
PE14_LCD_DATA_D6	62 PE14/LEU0_TX#2
PE15_LCD_DATA_D7	63 PE15/LEU0_RX#2

IC1E

CL f. 32KHz crystal = 22pF as in STK3600



EFM32G230F128	
	9 PC0/ACMP0_CH0/PCNT0_S0IN#2/US1_TX#0
	10 PC1/ACMP0_CH1/PCNT0_S1IN#2/US1_RX#0
	11 PC2/ACMP0_CH2/US2_TX
	12 PC3/ACMP0_CH3/US2_RX
	13 PC4/ACMP0_CH4/LETIM0_OUT0#3/PCNT1_S0IN/US2_CLK
	14 PC5/ACMP0_CH5/LETIM0_OUT1#3/PCNT1_S1IN/US2_CS
	37 PC6/ACMP0_CH6/I2C0_SDA#2/LEU1_TX#0
	38 PC7/ACMP0_CH7/I2C0_SCL#2/LEU1_RX#0
	41 PC8/ACMP1_CH0/TIM2_CC0#2/US0_CS#2
	42 PC9/ACMP1_CH1/TIM2_CC1#2/US0_CLK#2
	43 PC10/ACMP1_CH2/TIM2_CC2#2/US0_RX#2
	44 PC11/ACMP1_CH3/US0_TX#2
	45 PC12/ACMP1_CH4/CMU_CLK0#1
	46 PC13/ACMP1_CH5/PCNT0_S0IN#0/TIM0_CDTI0#1,3/TIM1_CC0#0
	47 PC14/ACMP1_CH6/PCNT0_S1IN#0/TIM0_CDTI1#1,3/TIM1_CC1#0
	48 PC15/ACMP1_CH7/DBG_SWO#1/TIM0_CDTI2#1,3/TIM1_CC2#0

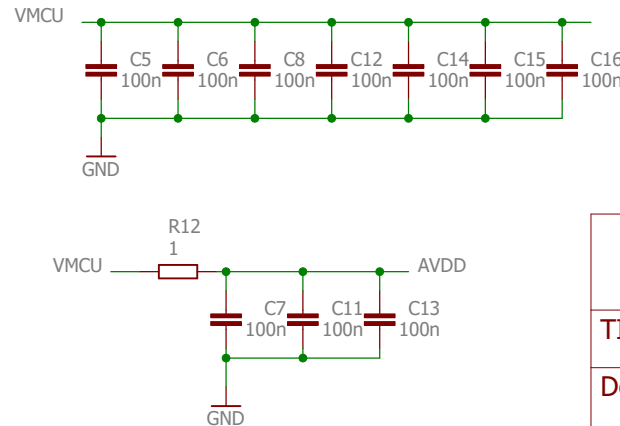
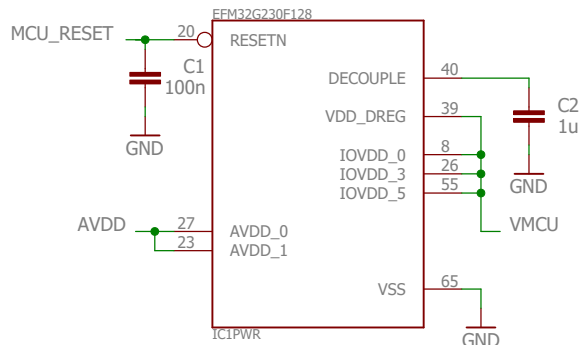
IC1C

EFM32G230F128	
PDO_HOLD_POWER	28 PD0/ADC0_CH0/PCNT2_S0IN#0/US1_TX#1
	29 PD1/ADC0_CH1/PCNT2_S1IN#0/TIM0_CC0#3/US1_RX#1
	30 PD2/ADC0_CH2/TIM0_CC1#3/US1_CLK#1
	31 PD3/ADC0_CH3/TIM0_CC2#3/US1_CS#1
	32 PD4/ADC0_CH4/LEU0_TX#0
	33 PD5/ADC0_CH5/LEU0_RX#0
	34 PD6/ADC0_CH6/I2C0_SDA#1/LETIM0_OUT0#0
	35 PD7/ADC0_CH7/I2C0_SCL#1/LETIM0_OUT1#0
	36 PD8/CMU_CLK1#1

IC1D

EFM32G230F128	
PF0_DBG_SWCLK	49 PF0/DBG_SWCLK#0,1/LETIM0_OUT0#2
PF1_DBG_SWDIO	50 PF1/DBG_SWDIO#0,1/LETIM0_OUT1#2
PF2_DBG_SWO	51 PF2/ACMP1_O/DBG_SWO#0
PF3_LCD_CTRL_E	52 PF3/TIM0_CDTI0#2
PF4_LCD_CTRL_RW	53 PF4/TIM0_CDTI1#2
PF5_LCD_CTRL_RS	54 PF5/TIM0_CDTI2#2

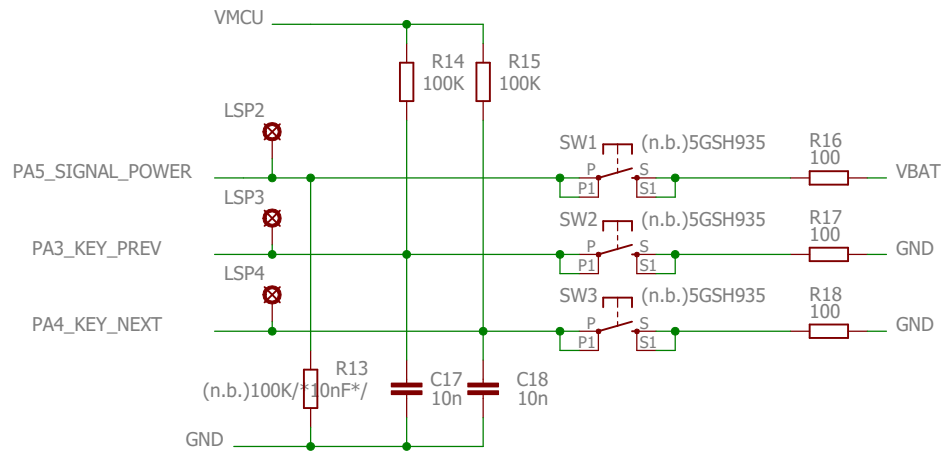
IC1F



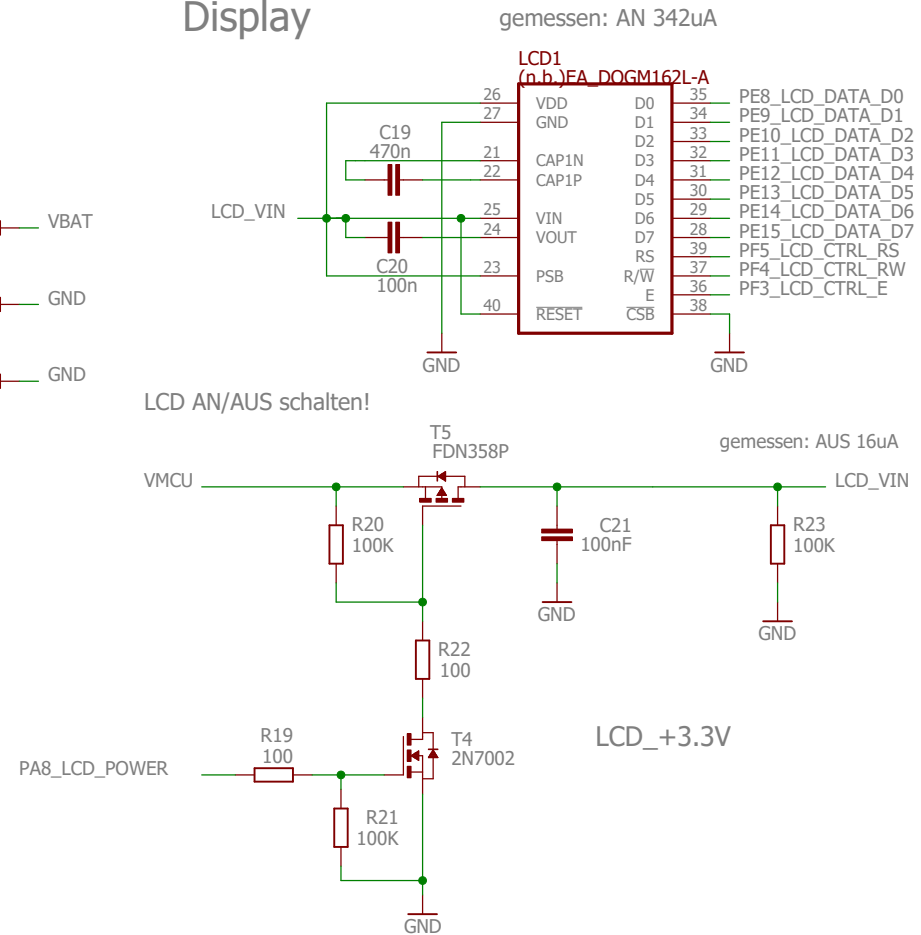
# EFM32 I/O + POWER

TITLE: HRD_2016	
Document Number:	REV:
Date: 14.03.2019 10:29	Sheet: 2/3

## Pushbutton



## Display



Pushbutton + Display

TITLE: HRD\_2016

Document Number:

REV:

Date: 14.03.2019 10:29

Sheet: 3/3