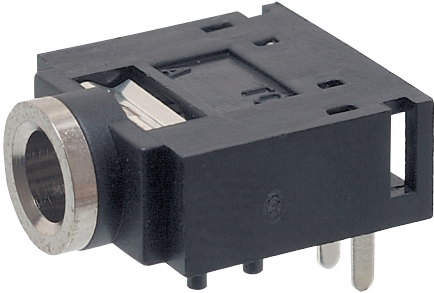
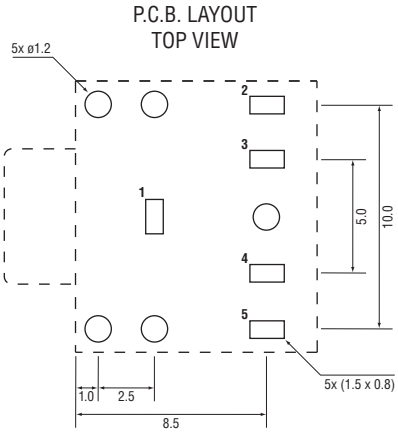
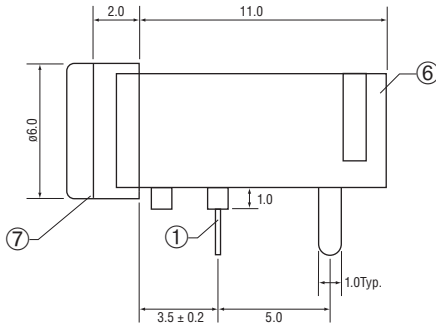
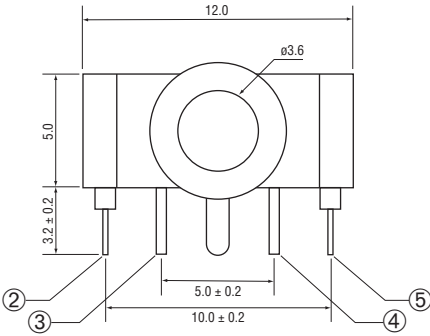


3.5mm Stereo PCB Socket



No.	Description	Qty	Material	Plating
1	① Contact foot	1	Phosphor bronze	Sn-plating
2	② Contact foot	1	Phosphor bronze	Sn-plating
3	③ Contact foot	1	H62 Brass	Sn-plating
4	④ Contact foot	1	H62 Brass	Sn-plating
5	⑤ Contact foot	1	Phosphor bronze	Sn-plating
6	Housing	1	PBT	
7	Axis support	1	H59 Brass	Ni-plating



SCHEMATIC

