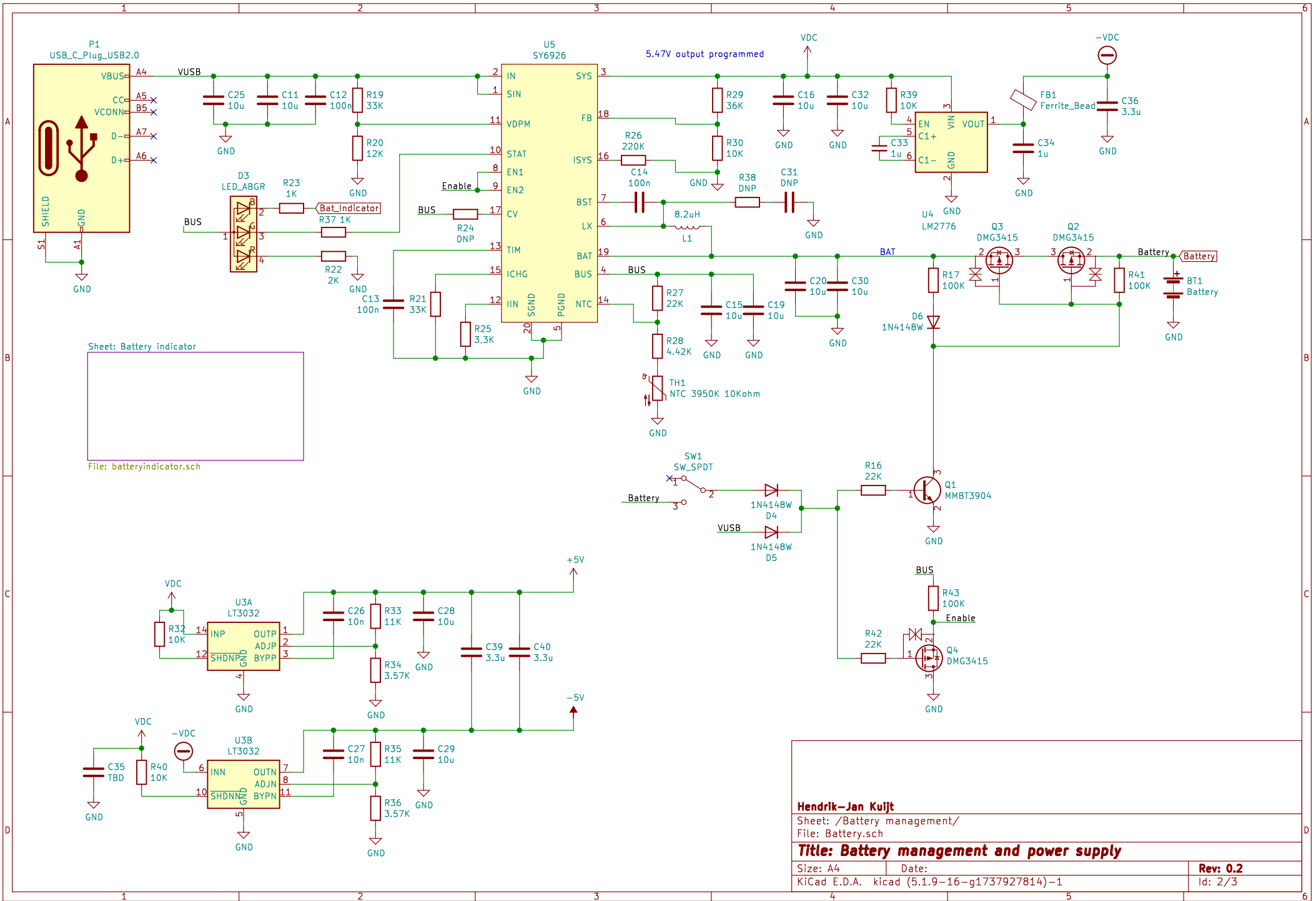
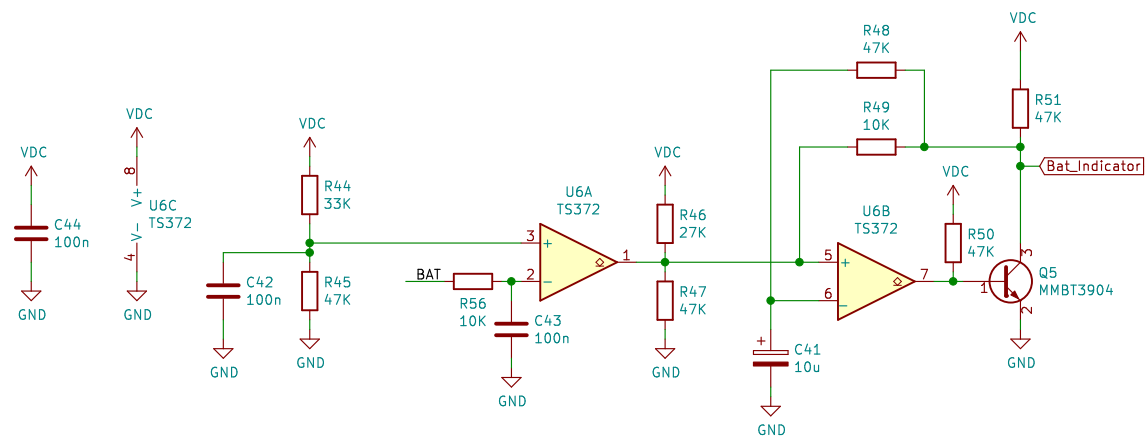


Hendrik-Jan Kuljt	
Sheet: /	
File: Diffprobe.sch	
Title: Differential probe	
Size: A4	Date:
KiCad E.D.A. kicad (5.1.9-16-g1737927814)-1	Rev: 0.1
Id: 1/3	





Hendrik-Jan Kuljt

Sheet: /Battery management/Battery indicator/
File: batteryindicator.sch

Title: Low battery status indicator

Size: A4

Date:

Rev: 0.2

KiCad E.D.A. kicad (5.1.9-16-g1737927814)-1

Id: 3/3