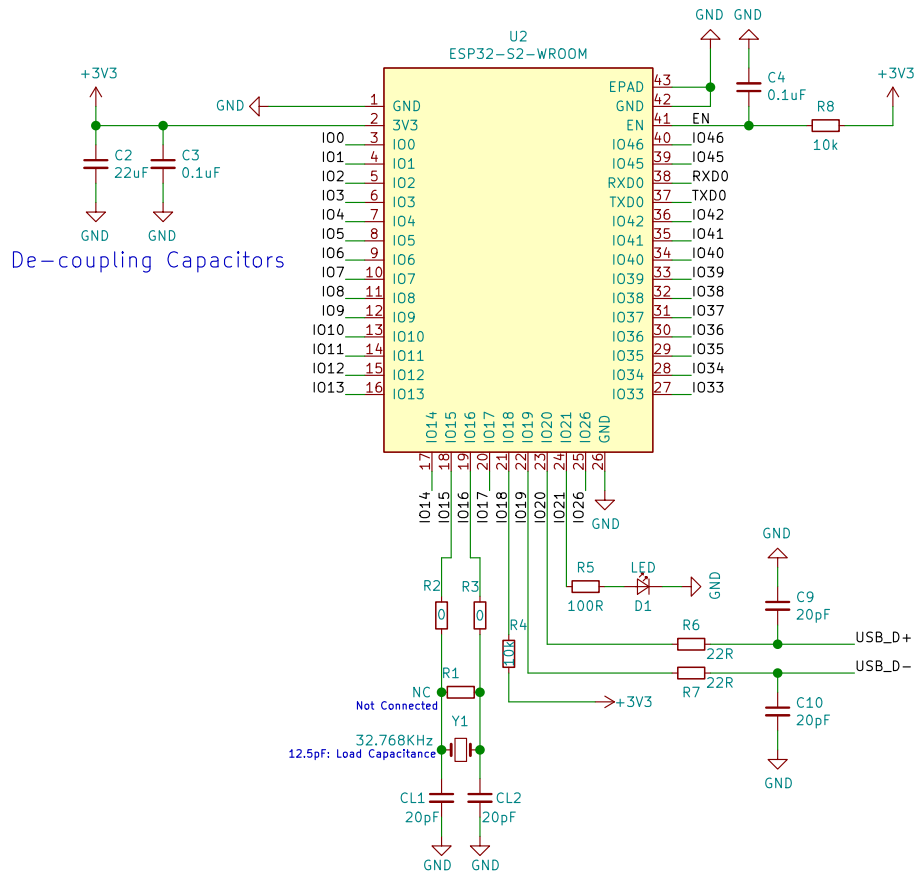
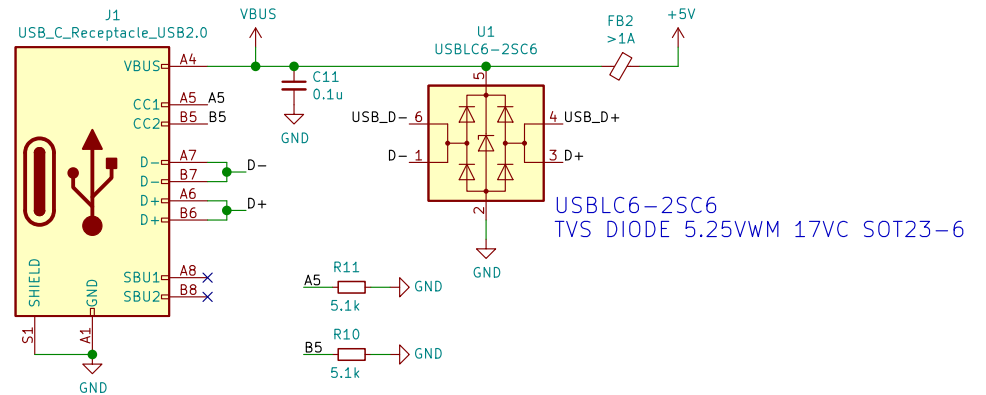


ESP32-S2-WROOM IC



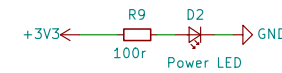
De-coupling Capacitors

C-Type USB Connector

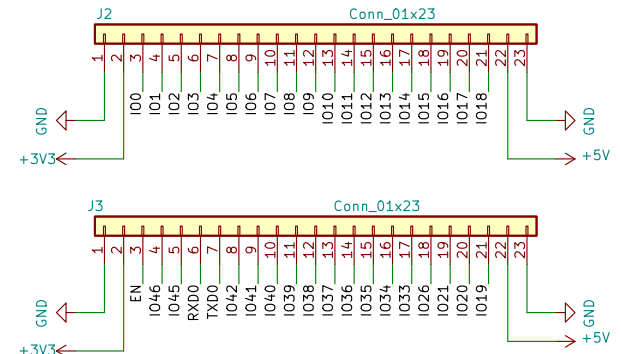


USBLC6-2SC6
TVS DIODE 5.25VWM 17VC SOT23-6

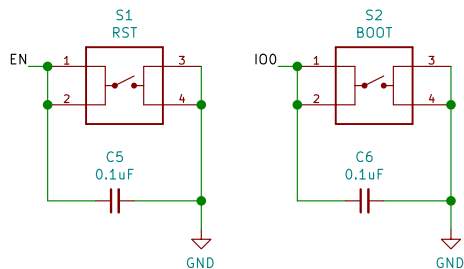
Power LED



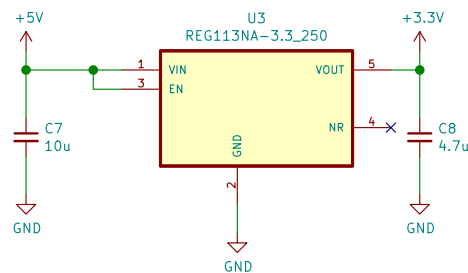
GPIO Pin Headers



Tactile Switches



Voltage Regulation



ESP32-S2 Breakout Board

Sheet: /		Date: 2021-08-25	
File: ESP32-S2-Breakout.sch		Rev:	
Size: A4	KiCad E.D.A. kicad (5.1.5)-3		Id: 1/1