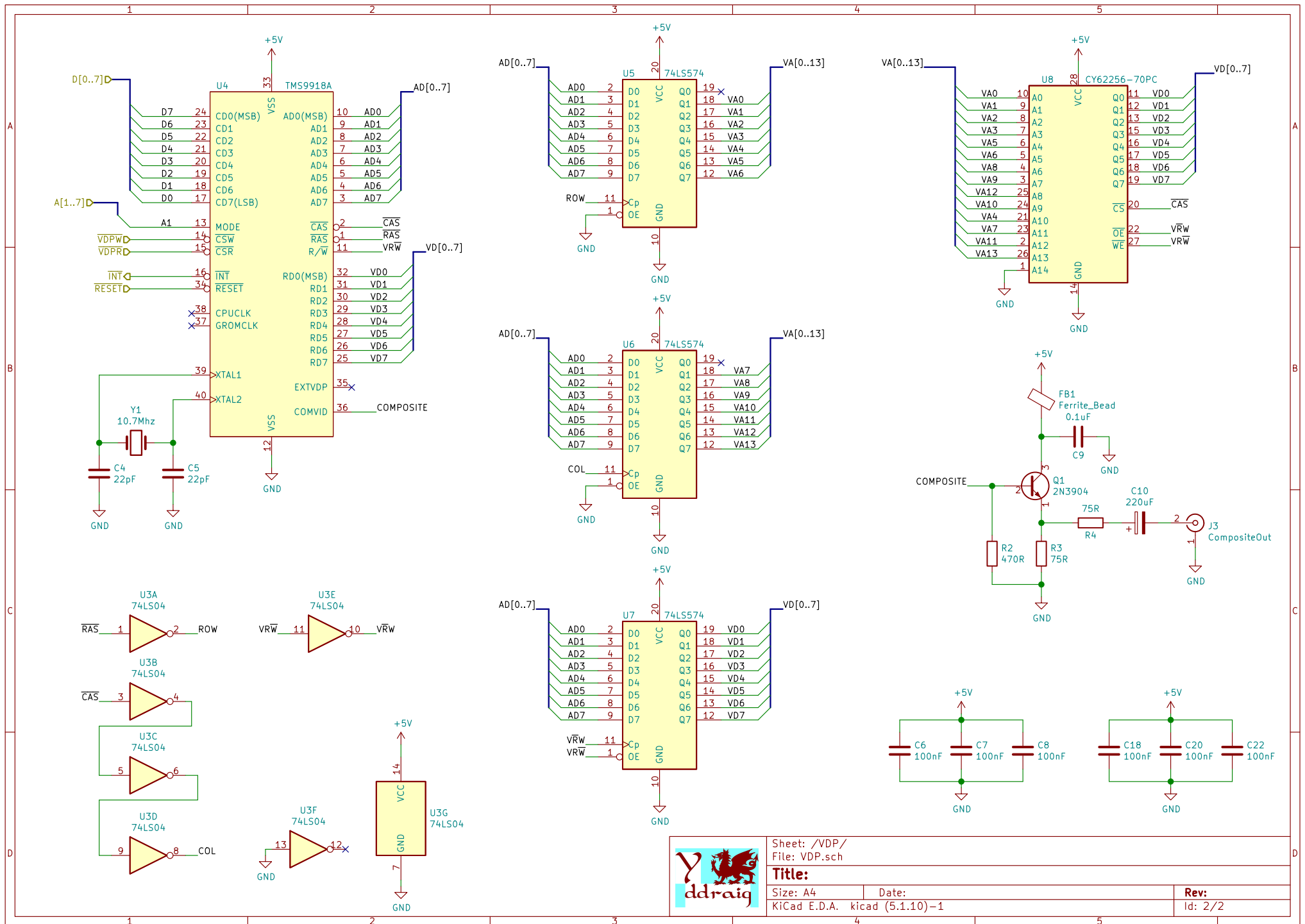


| | | | |
|-------------------------------|-------|----------------------|--|
| Sheet: / | | File: GfxTMS9918.sch | |
| Title: | | | |
| Size: A4 | Date: | | |
| KiCad E.D.A. kicad (5.1.10)-1 | | Rev: | |
| | | Id: 1/2 | |



Sheet: /VDP/
File: VDP.sch

Title:

Size: A4

Date:

KiCad E.D.A. kicad (5.1.10)-1

Rev:

Id: 2/2