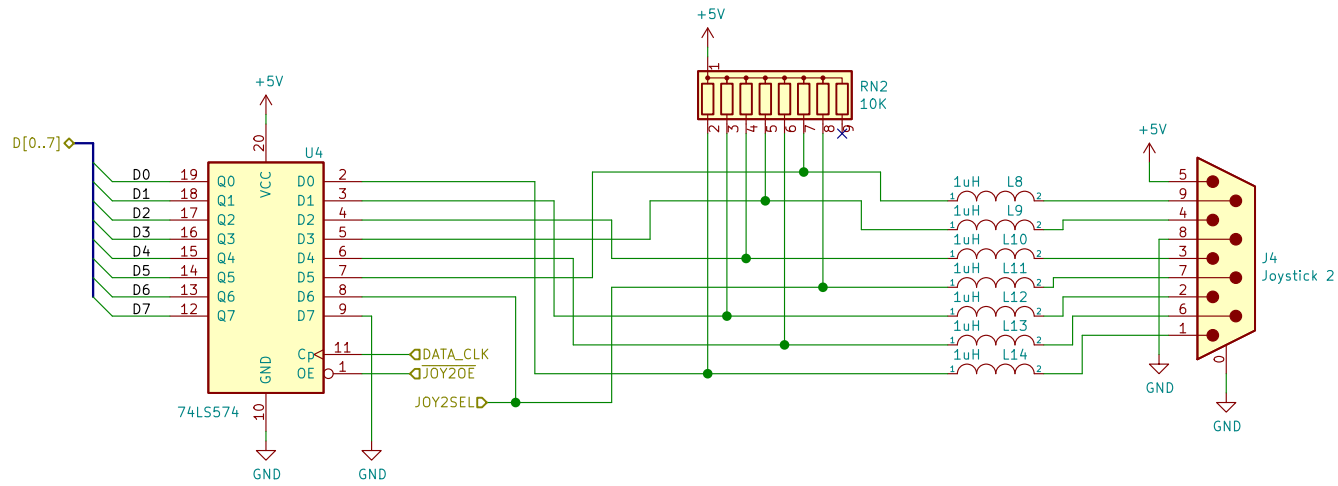
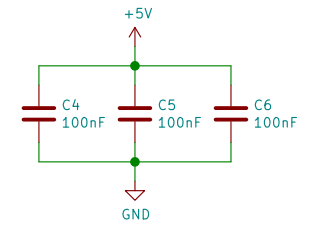
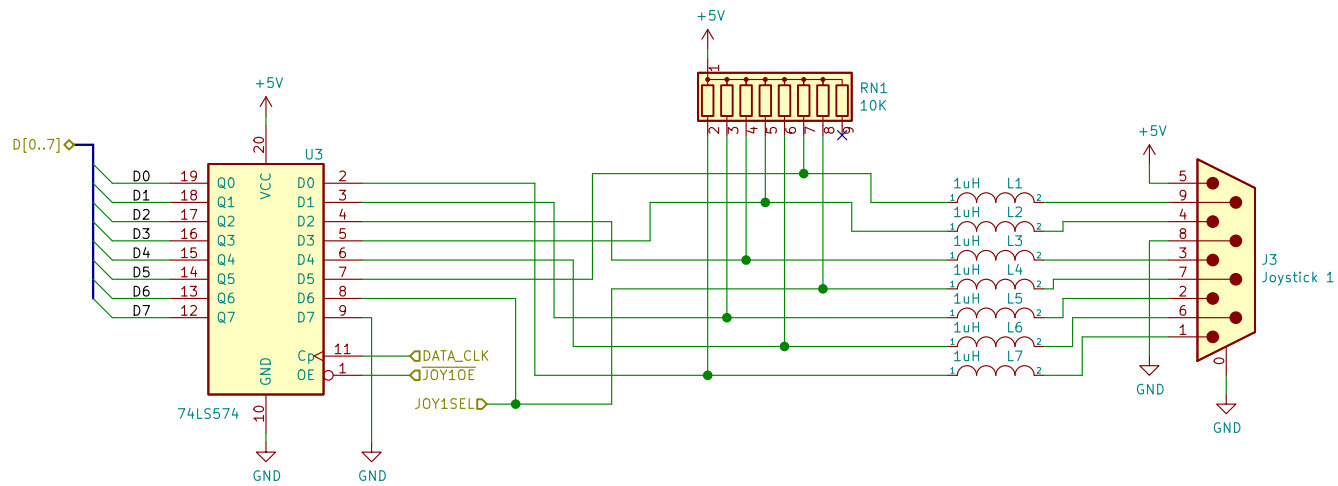


Sheet: /		Date:	
File: JoypadController.sch		Rev:	
Size: A4	KiCad E.D.A. kicad (5.1.10)-1		Id: 1/2



Joypad Pinouts

SELECT (Pin 7)	LOW	HIGH
Pin 1:		Up
Pin 2:		Down
Pin 3:	*	Left
Pin 4:	*	Right
Pin 5:	VCC	
Pin 6:	A	B
Pin 7:	A	Select
Pin 8:	GND	
Pin 9:	Start	C

* Both low indicate controller connected

Sheet: /Joypads/
File: Joypads.sch

Title:	
Size: A4	Date:
KiCad E.D.A. kicad (5.1.10)-1	Rev: 2/2