

Dr CADIC Philippe  
[www.morpheans.com](http://www.morpheans.com)

Sheet: /  
 File: whiteRPI-HIREZ.sch

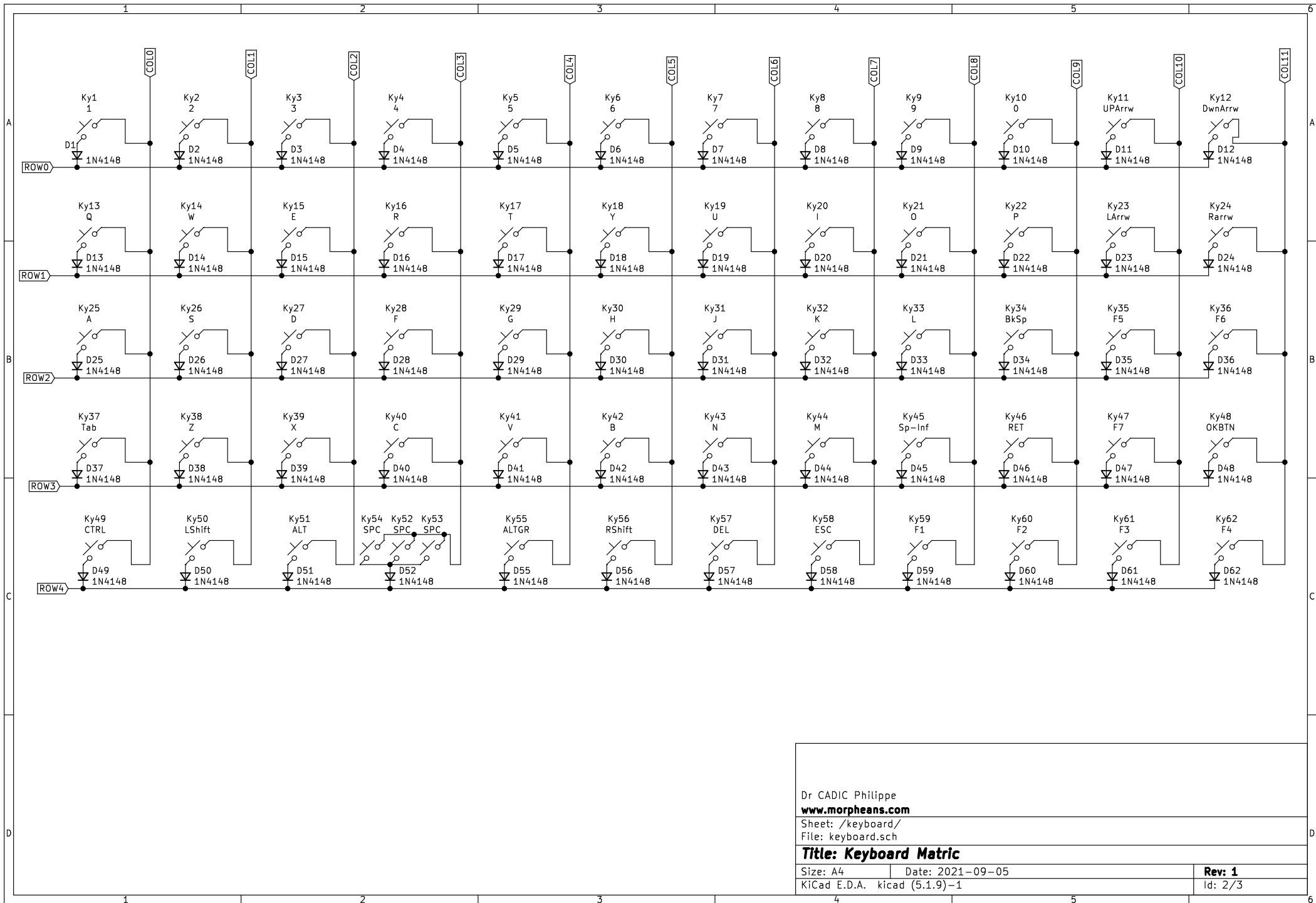
**Title: White RPI HIREZ**

Size: A4 Date: 2021-09-05

KiCad E.D.A. kicad (5.1.9)-1

**Rev: 1**

Id: 1/3



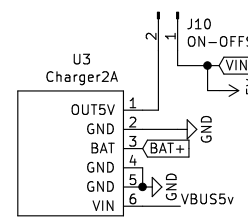
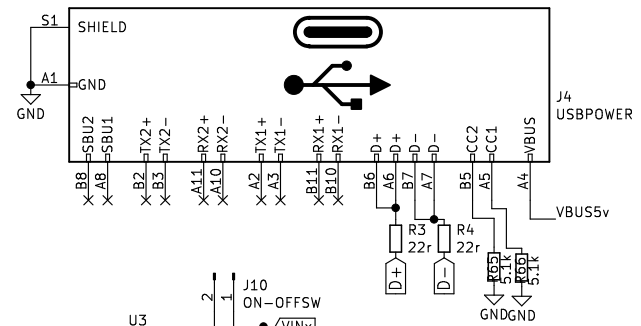
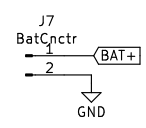
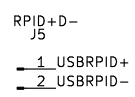
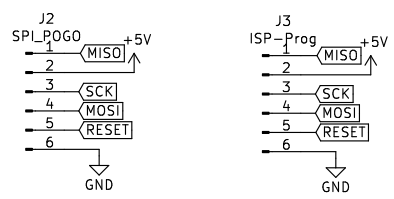
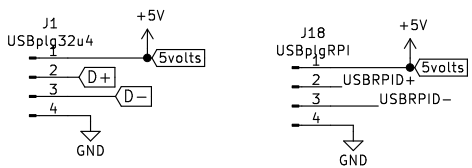
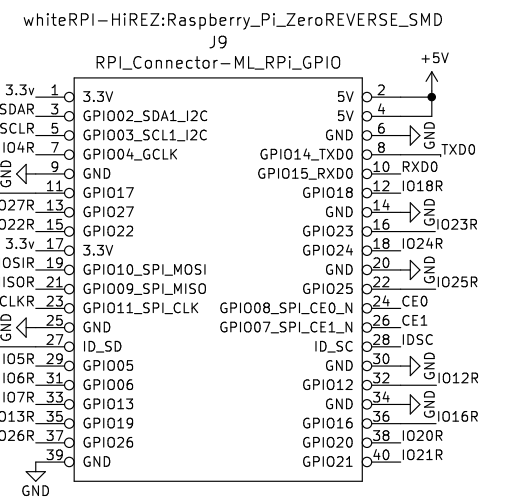
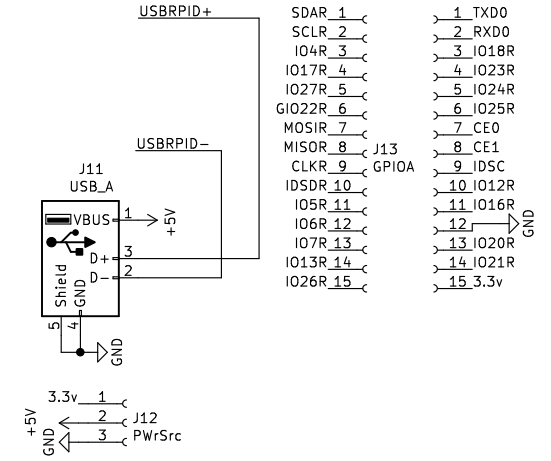
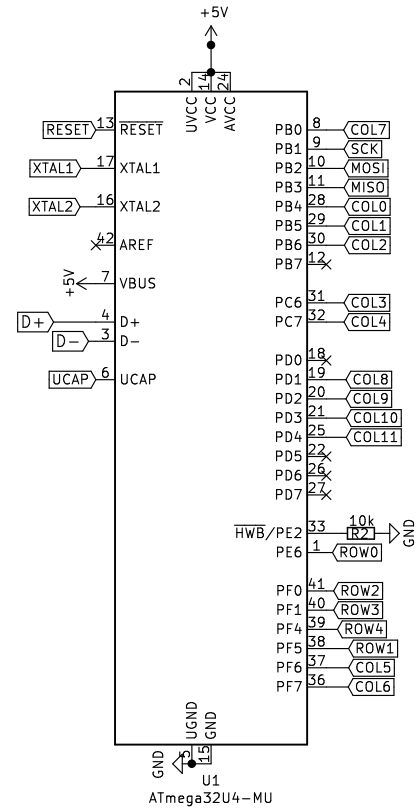
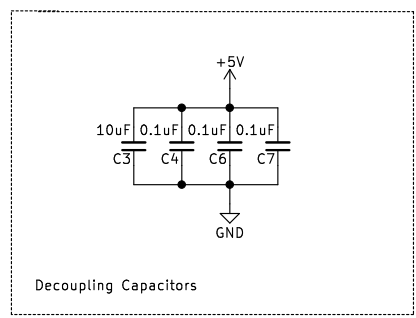
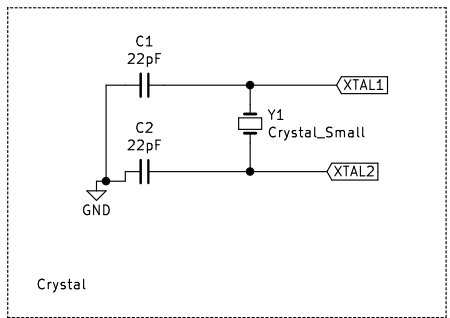
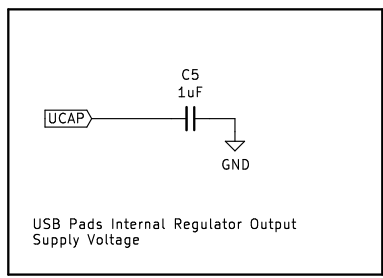
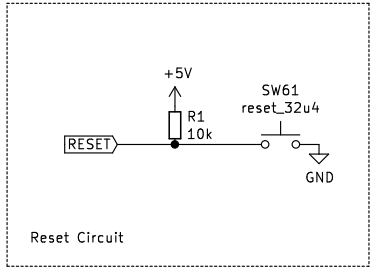
Dr CADIC Philippe  
[www.morpheans.com](http://www.morpheans.com)

Sheet: /keyboard/  
 File: keyboard.sch

**Title: Keyboard Matrix**

Size: A4 Date: 2021-09-05  
 KiCad E.D.A. kicad (5.1.9)-1

Rev: 1  
 Id: 2/3



- H1 MountingHole
- H3 MountingHole
- H2 MountingHole
- H4 MountingHole

@sulfuroid  
Dr CADIC Philippe  
[www.morpheans.com](http://www.morpheans.com)  
Sheet: /atmega/  
File: atmega32u4.sch

**Title: BLAK-RPi34 Cyberdek**

Size: A4	Date: 2021-09-04	Rev: 1.2
KiCad E.D.A. kicad (5.1.9)-1		Id: 3/3