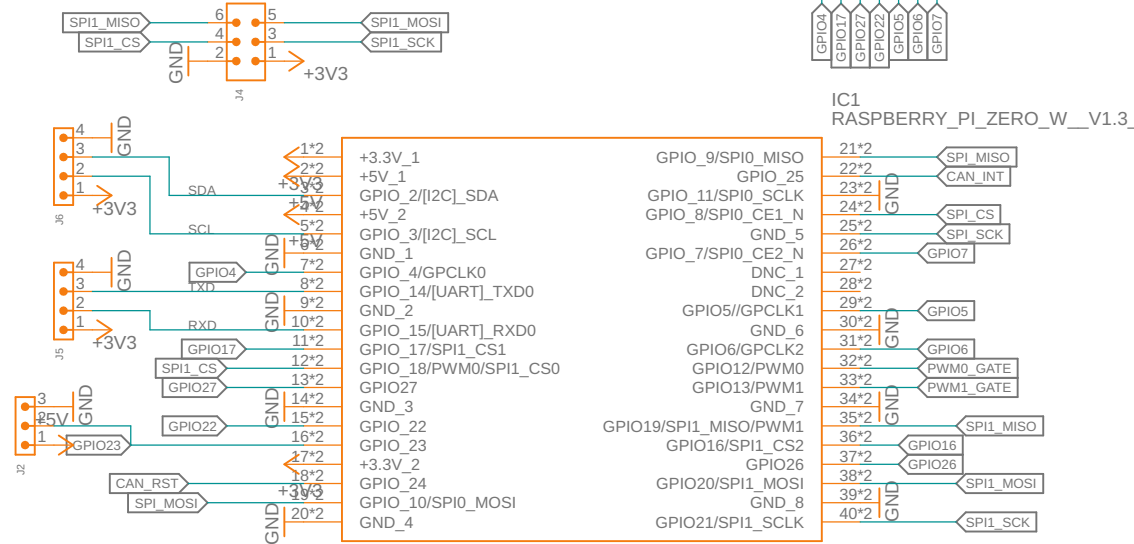
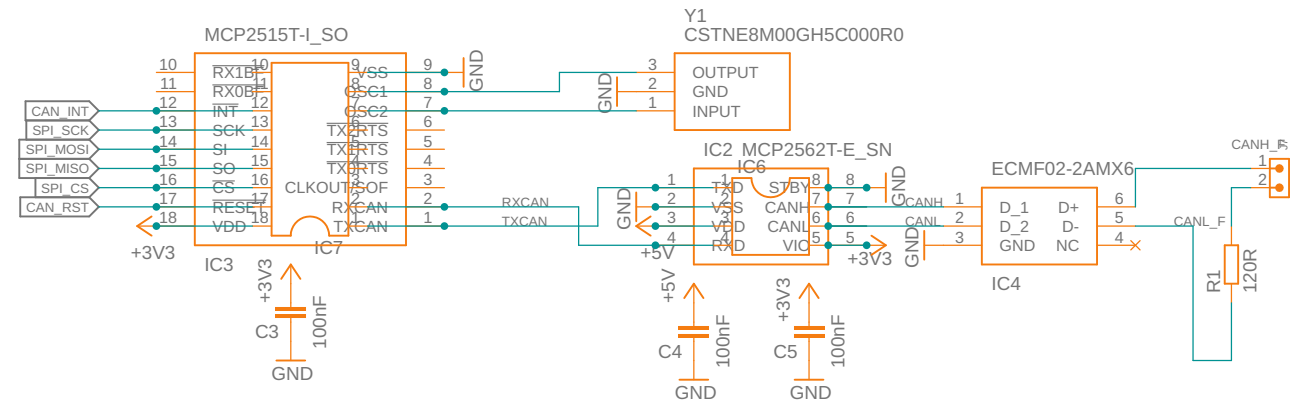


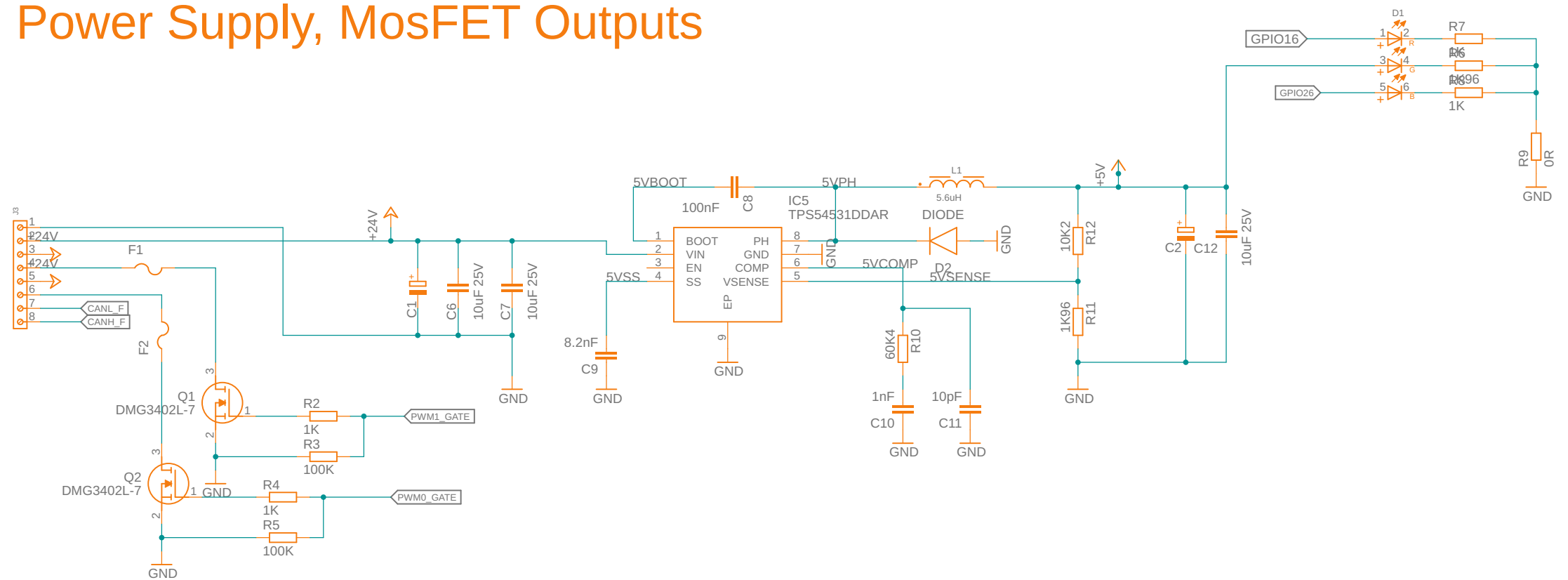
Raspberry Pi Zero 2 W



CAN Interface



Main Connector, Power Supply, MosFET Outputs



Schematic v10
 18.11.2021 20:03
 Sheet: 1/1