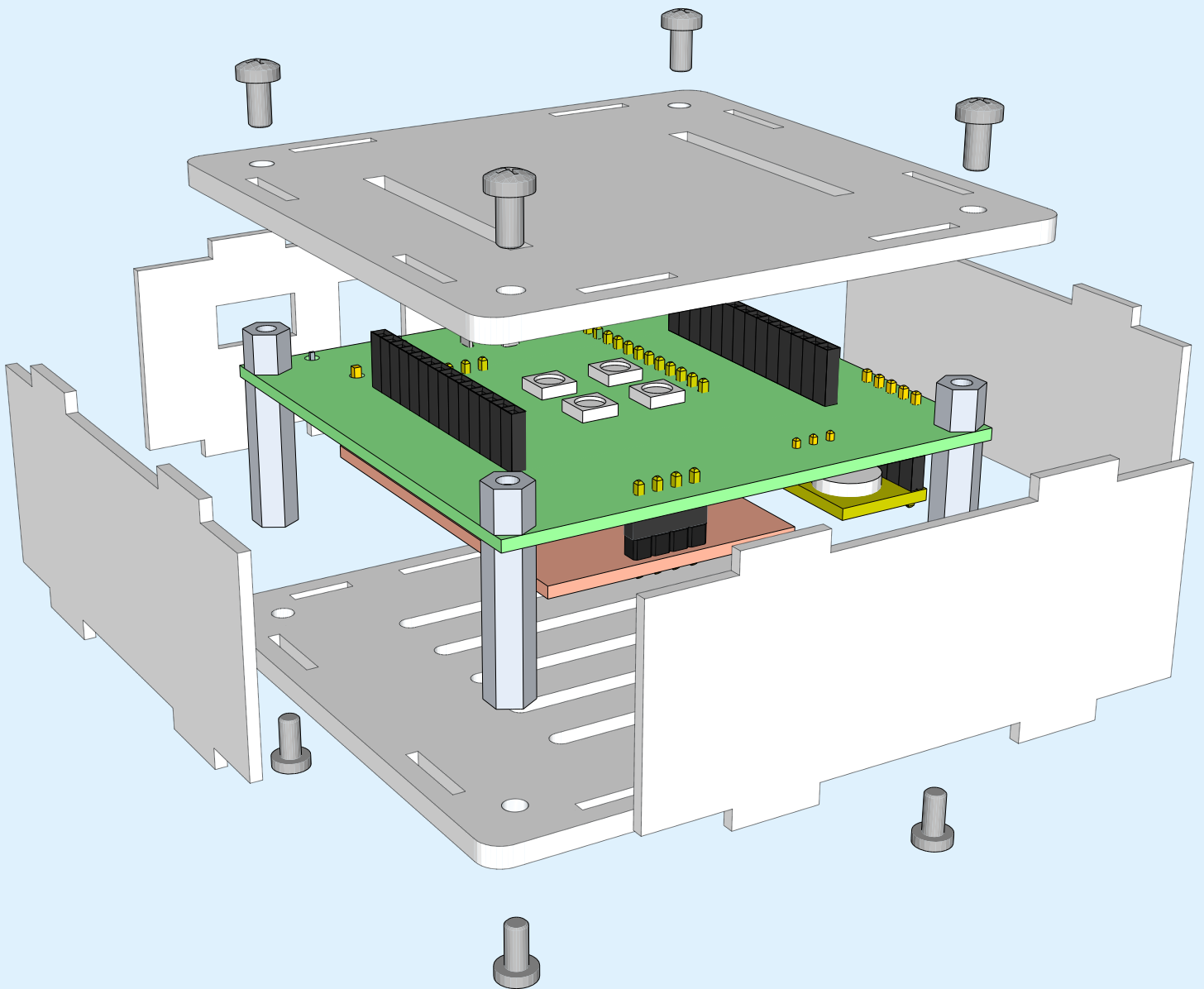


# ONE NIXIE CLOCK

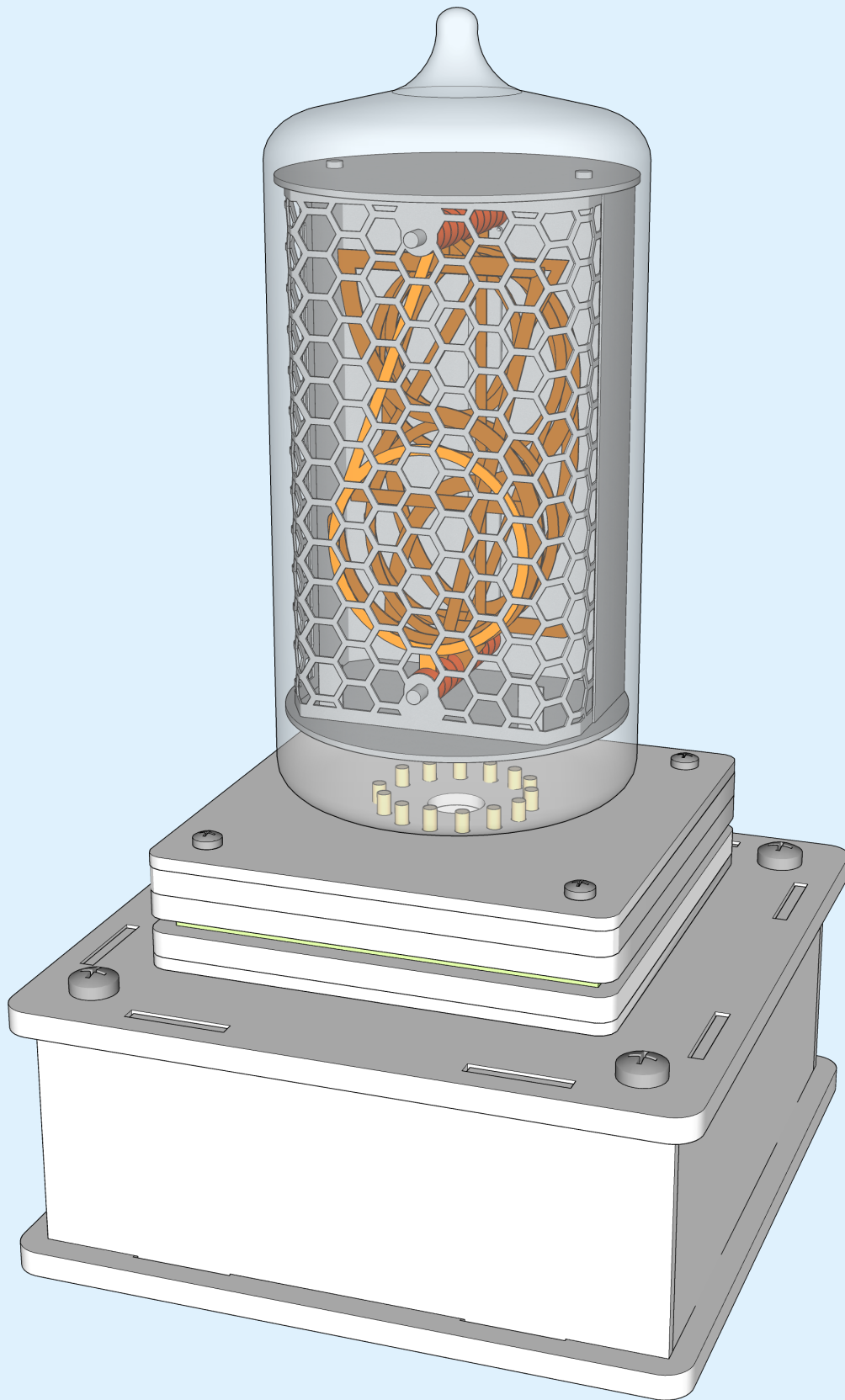
# ASSEMBLY INSTRUCTION



[WWW.NIXIETESTER.COM](http://WWW.NIXIETESTER.COM)

**ONE  
NIXIE CLOCK**

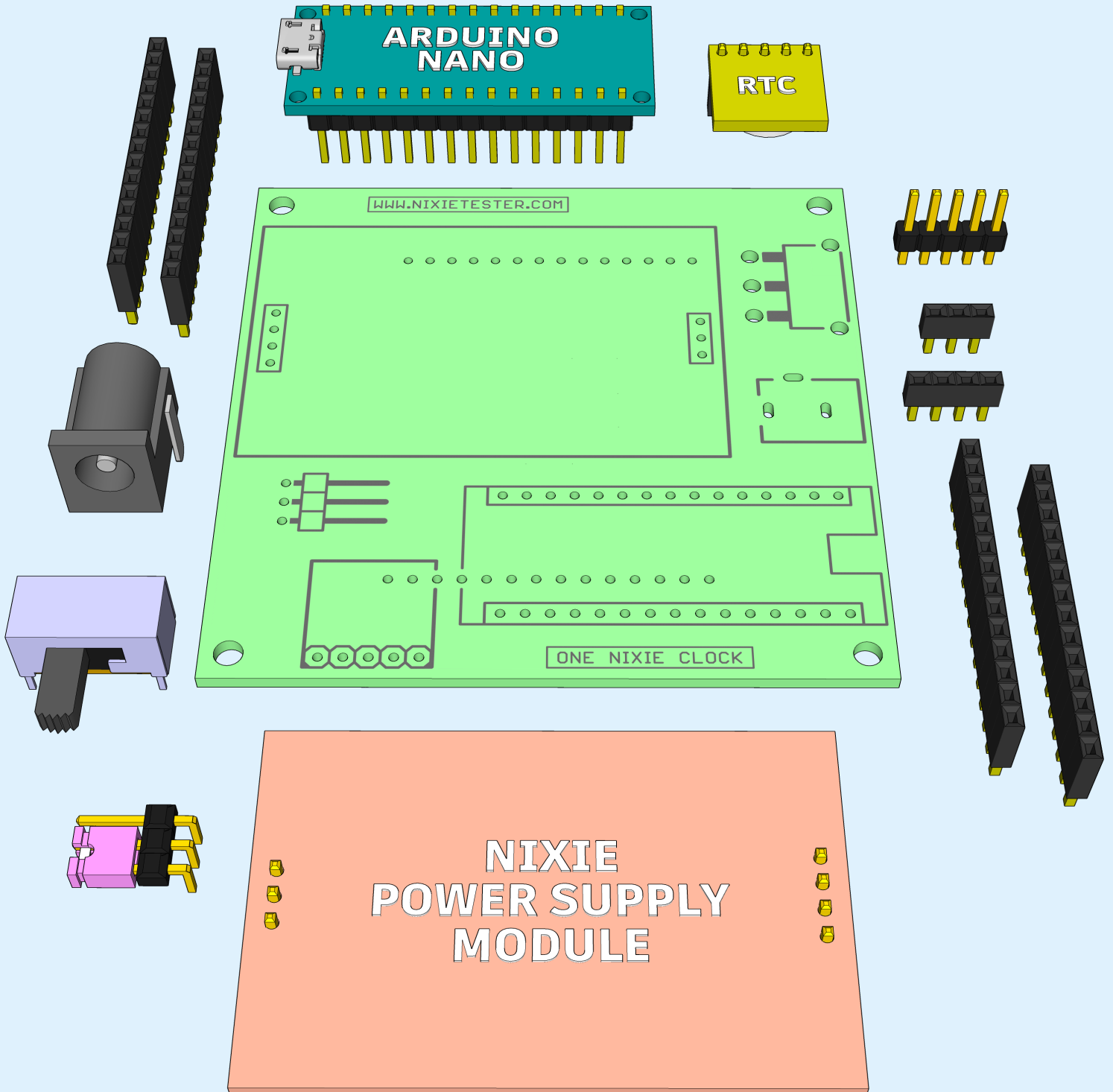
**ASSEMBLY  
INSTRUCTION**



[WWW.NIXIETESTER.COM](http://WWW.NIXIETESTER.COM)

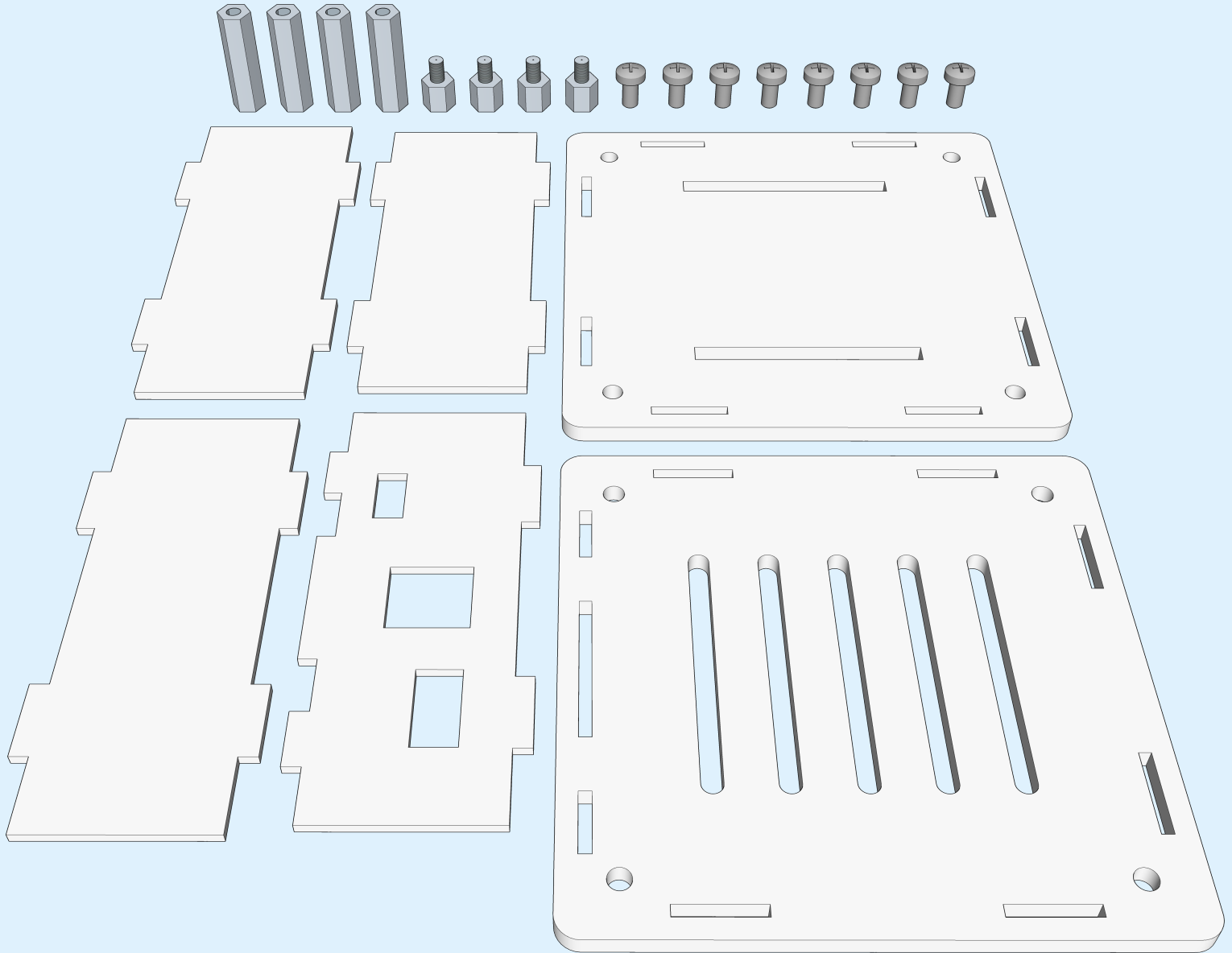
# ONE NIXIE CLOCK

# COMPONENTS



ONE  
NIXIE CLOCK

COMPONENTS

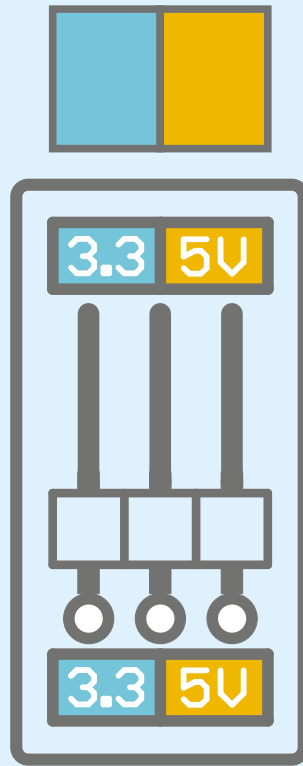


[WWW.NIXIETESTER.COM](http://WWW.NIXIETESTER.COM)



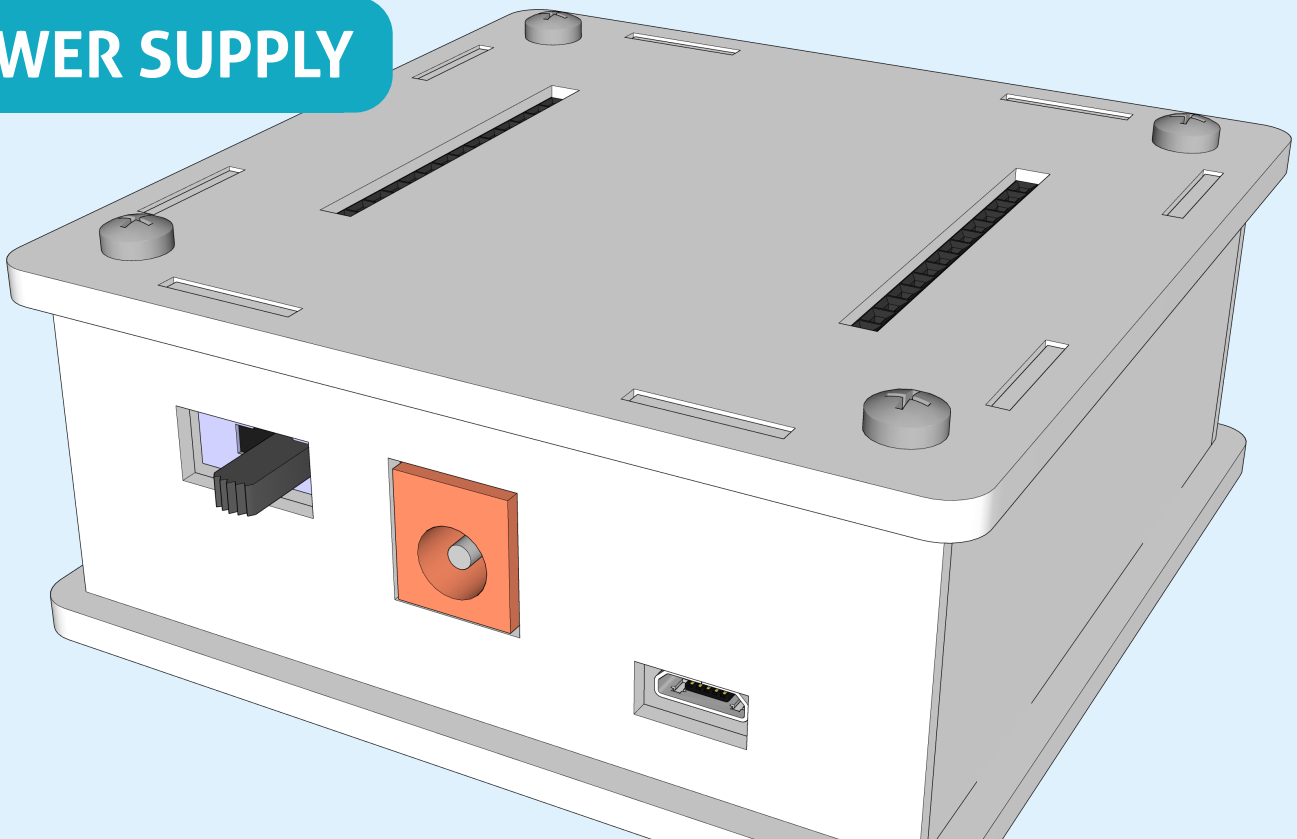
- ARDUINO NANO / EVERY / 33 IOT
- ONE NIXIE CLOCK SHIELD MODULE
- NPS - NIXIE POWER SUPPLY MODULE
- RTC - REAL TIME CLOCK MODULE
- ENCLOSURE
  
- PH1, PH2 - PIN HEADER 1 x 14; F
- PH3, PH4 - PIN HEADER 1 x 15; F
- PH5 - PIN HEADER 1 x 5; M
- PH6 - PIN HEADER 1 x 3; SHORT; F
- PH7 - PIN HEADER 1 x 4; SHORT; F
- PH8 - PIN HEADER 1 x 3; ANGLE; M
- JUMPER
- SW1 - SLIDE SWITCH
- VIN - POWER CONNECTOR
  
- SPACER - 5mm x 4; M-F
- SPACER - 20mm x 4; F-F
- SCREW - M3 x 8; 6mm

## PH8 SETTINGS



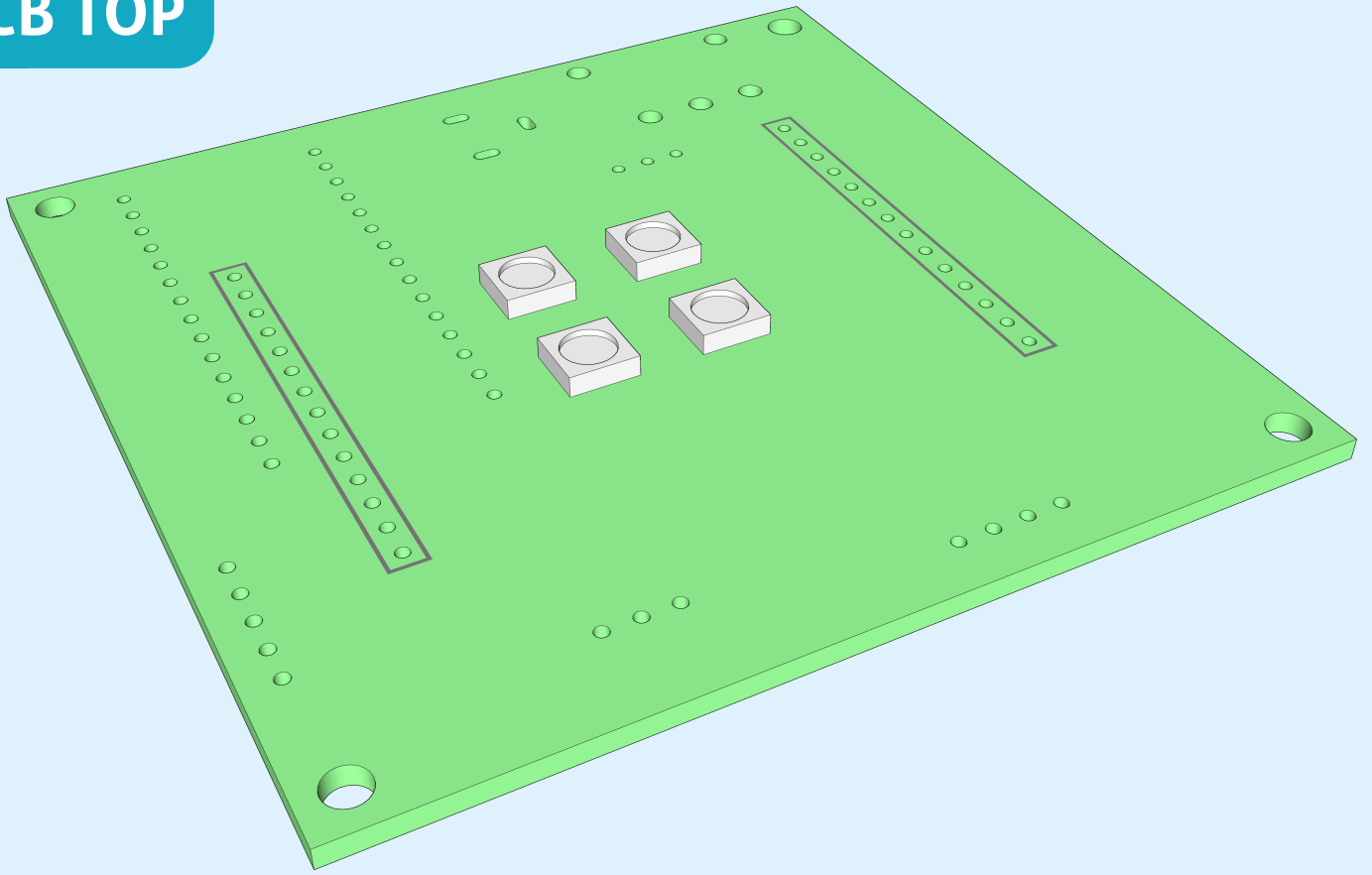
**NOTE** YOU MUST SET OPERATING VOLTAGE OF YOUR CLOCK  
CHECK DATASHEET E.G. NANO EVERY - 5V, NANO 33 IOT - 3.3V

## POWER SUPPLY

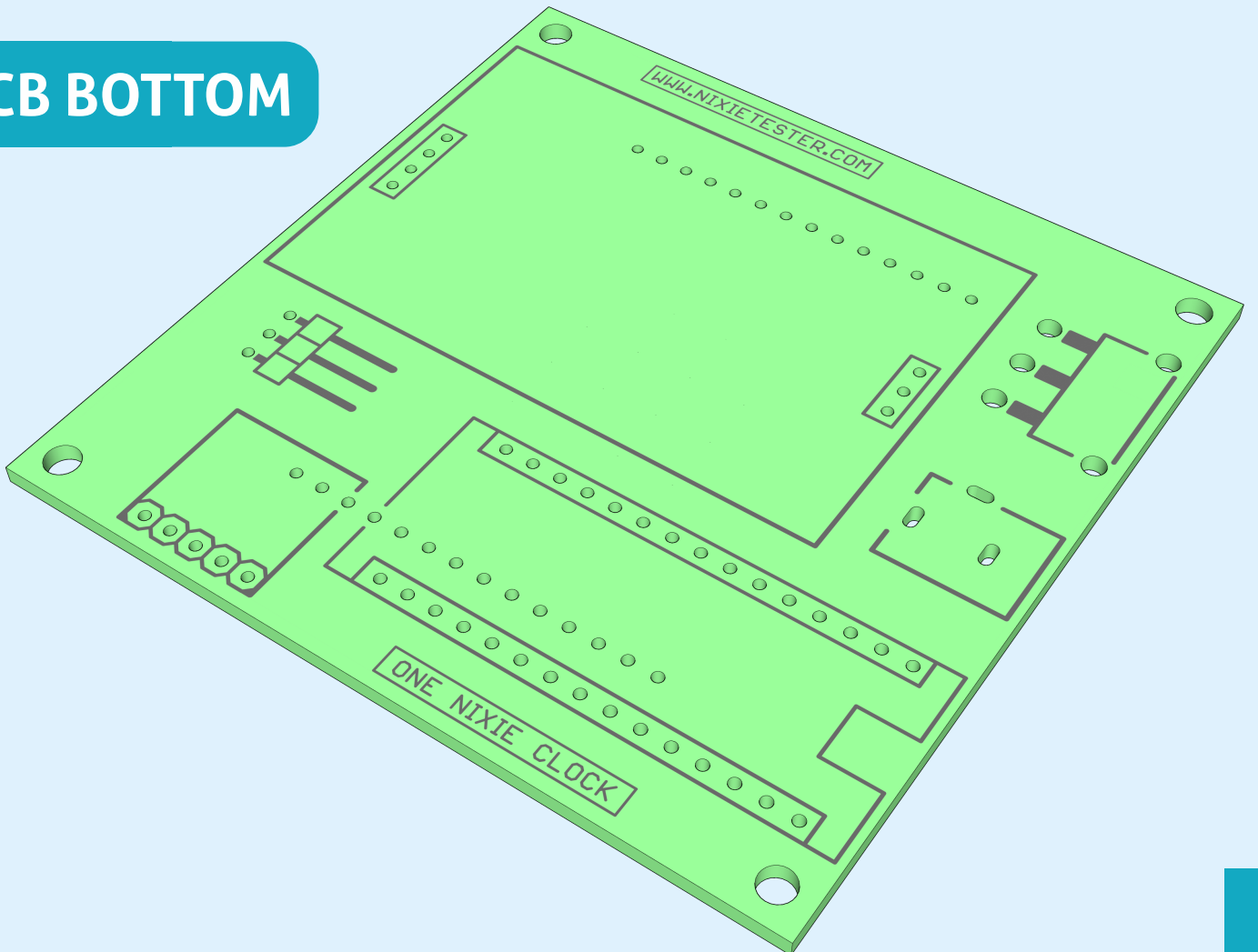


**NOTE** ONE NIXIE CLOCK REQUIRED GOOD QUALITY POWER SUPPLY  
12V; 1.5A, CENTER PIN POSITIVE+

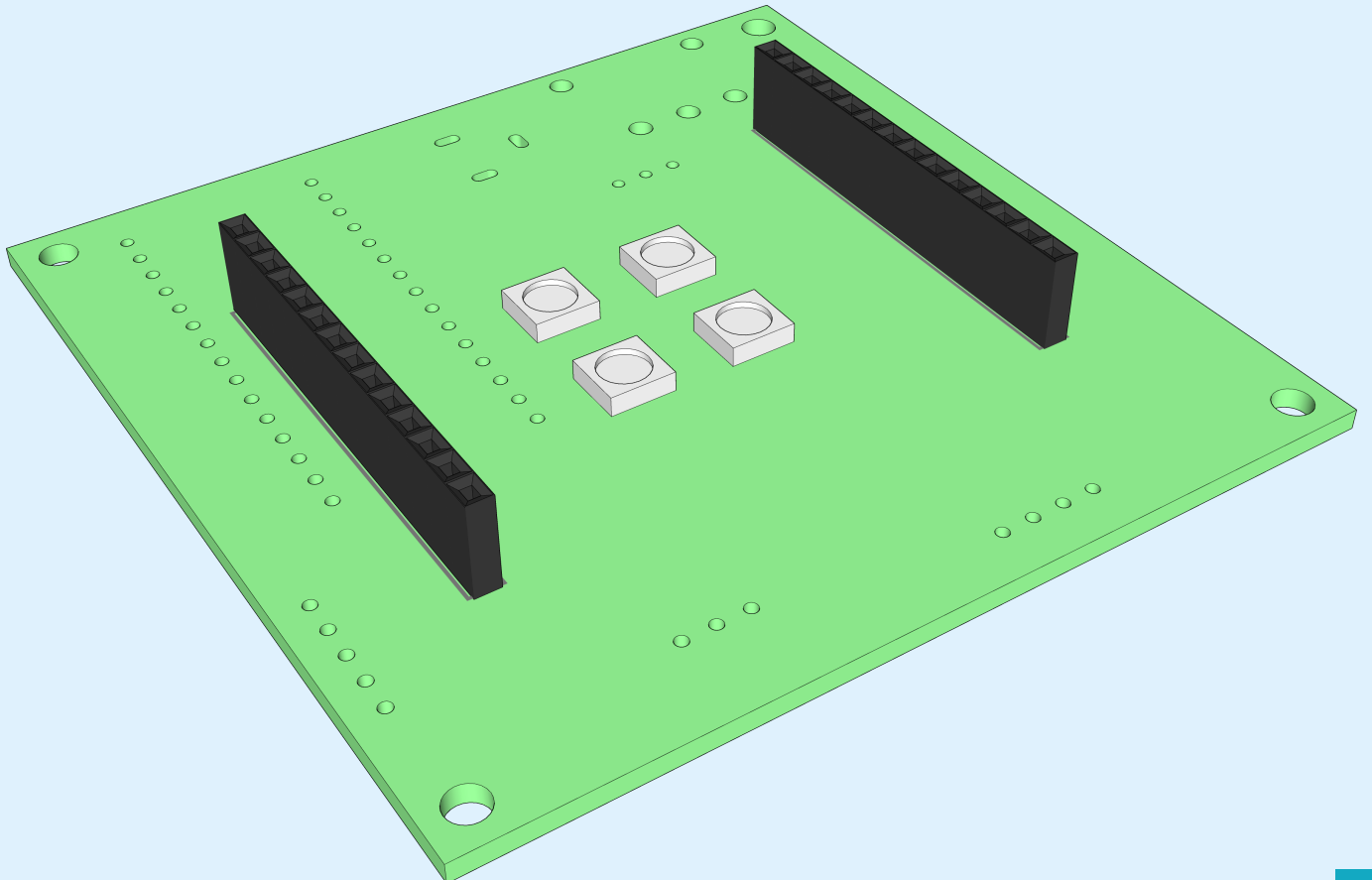
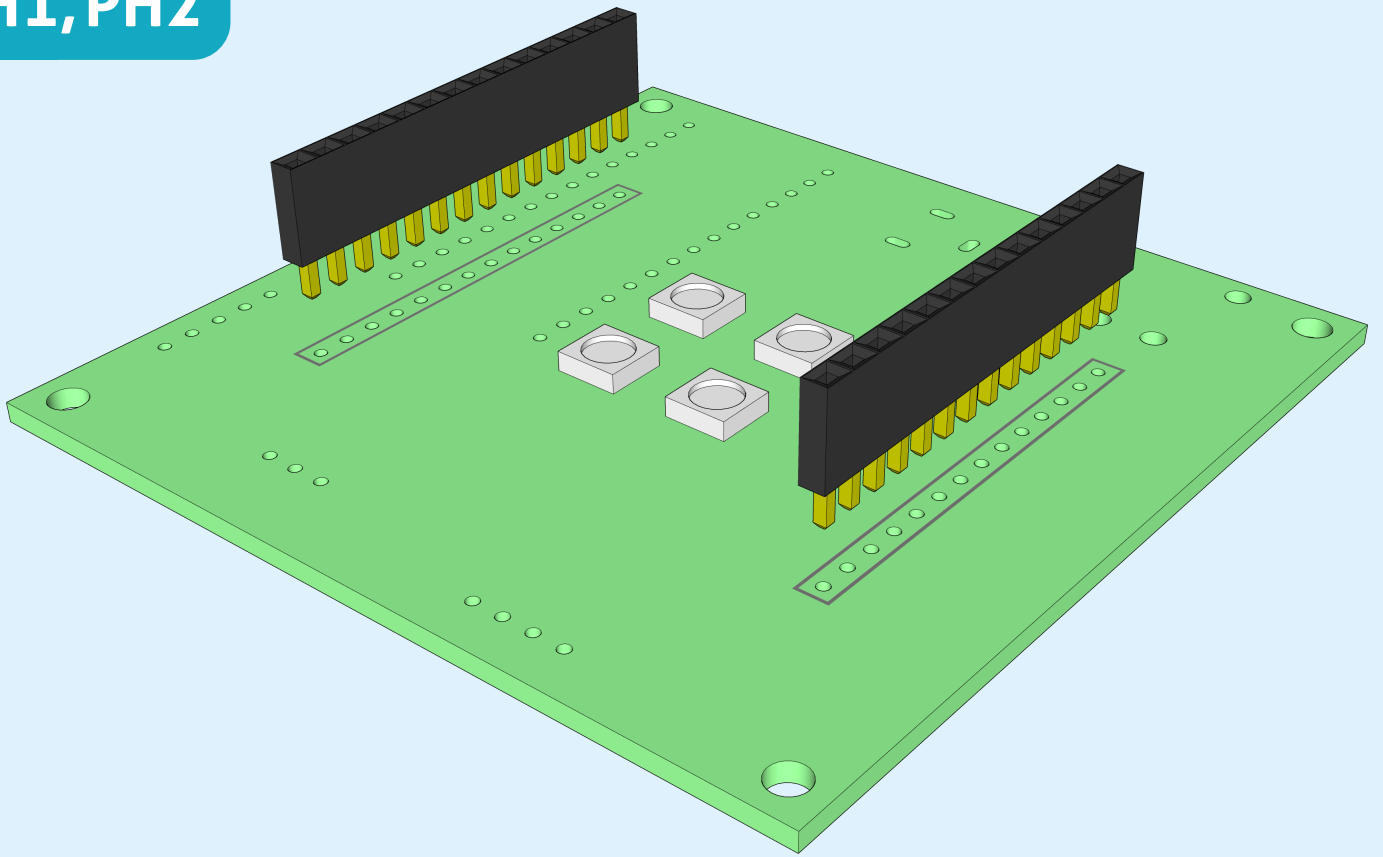
## PCB TOP



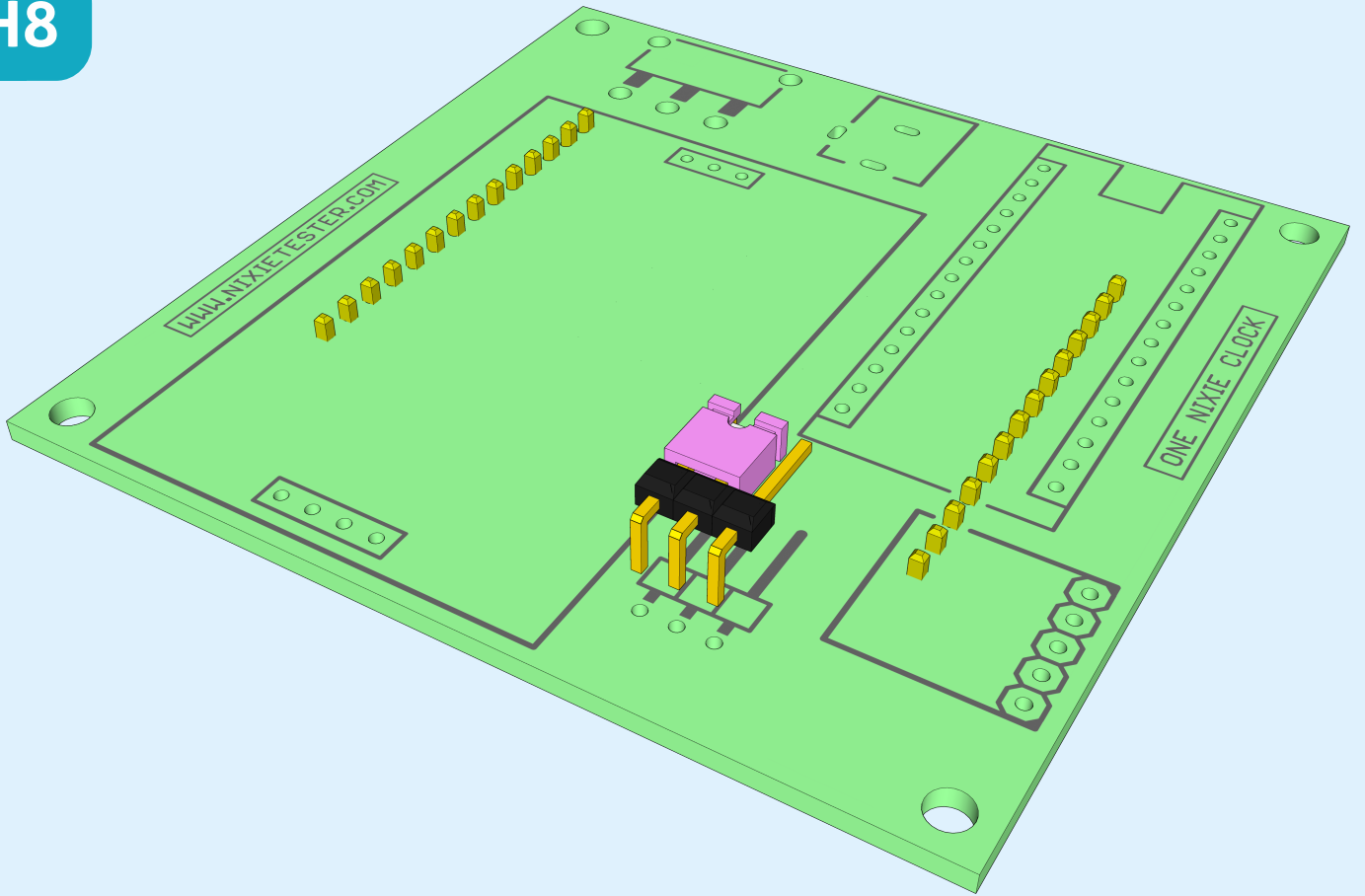
## PCB BOTTOM



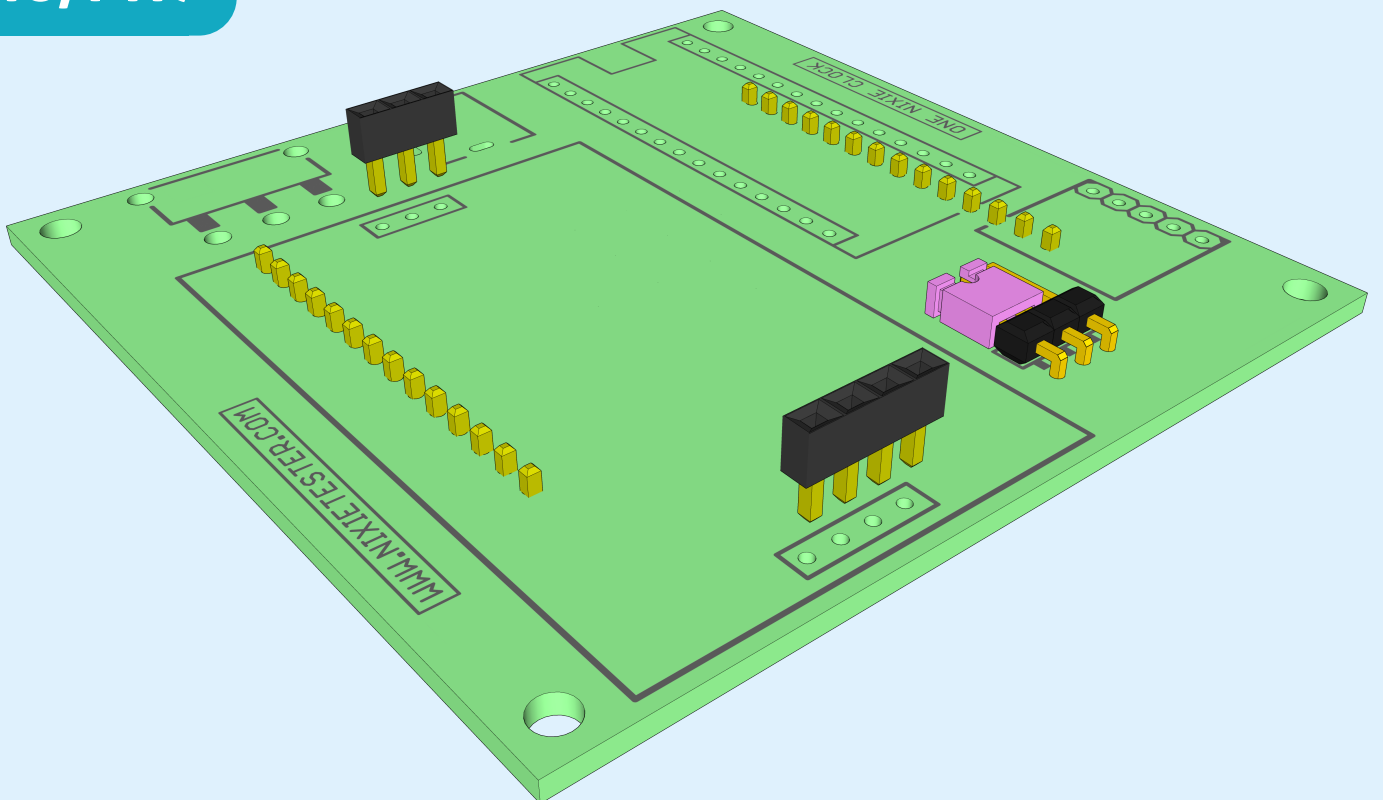
PH1,PH2



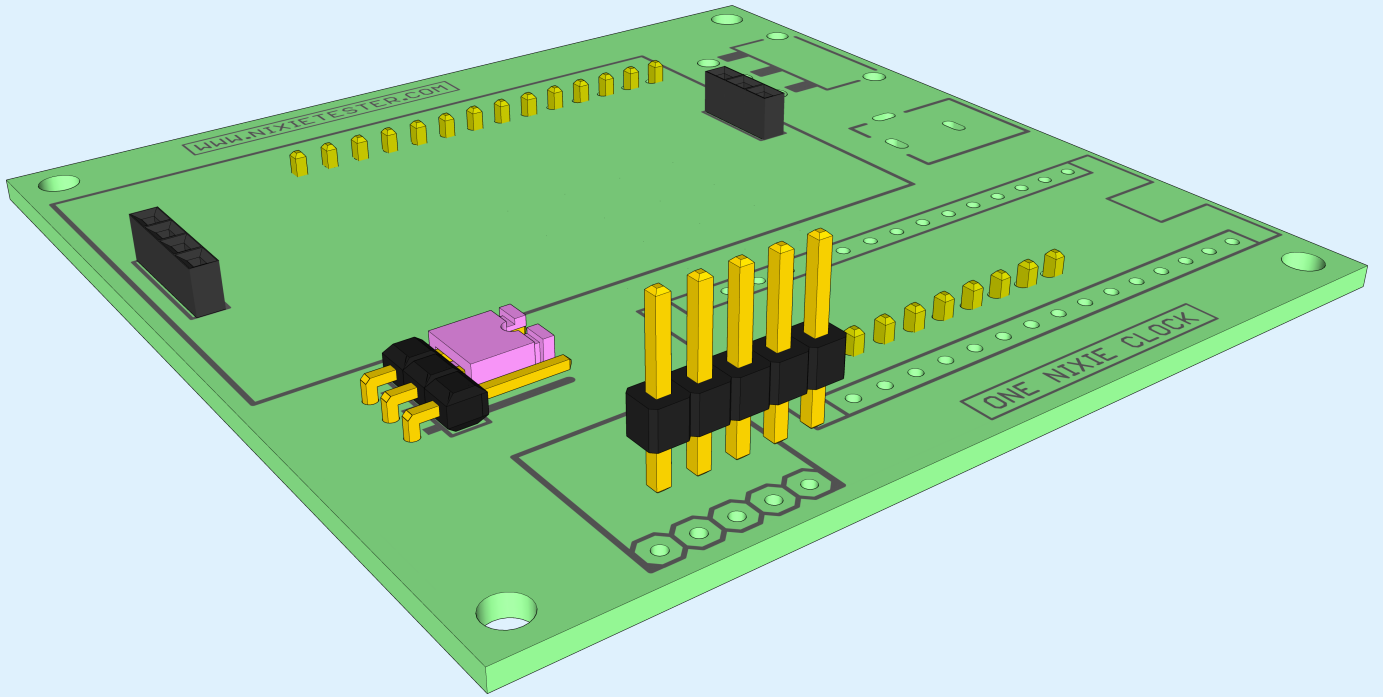
# PH8



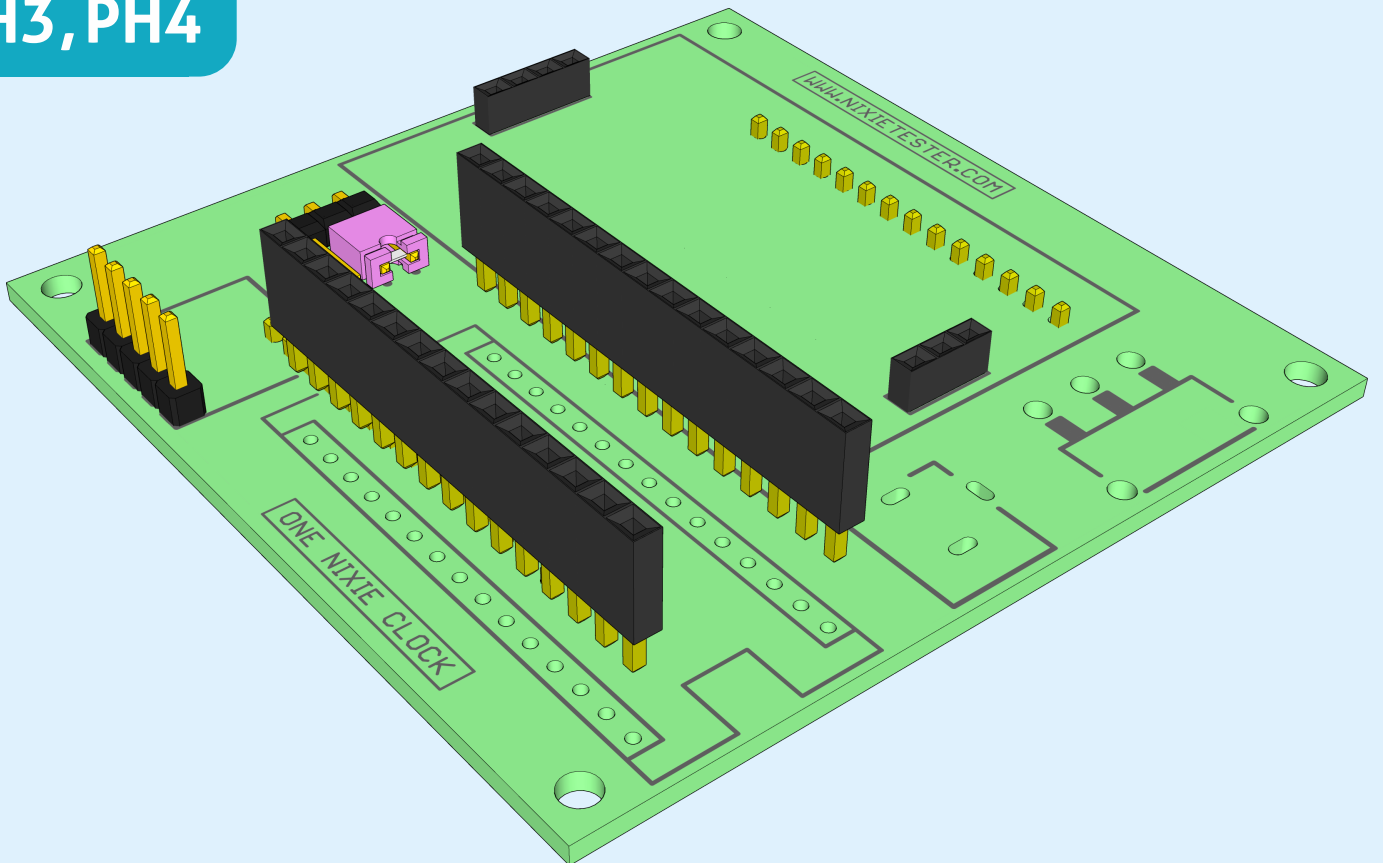
# PH6, PH7



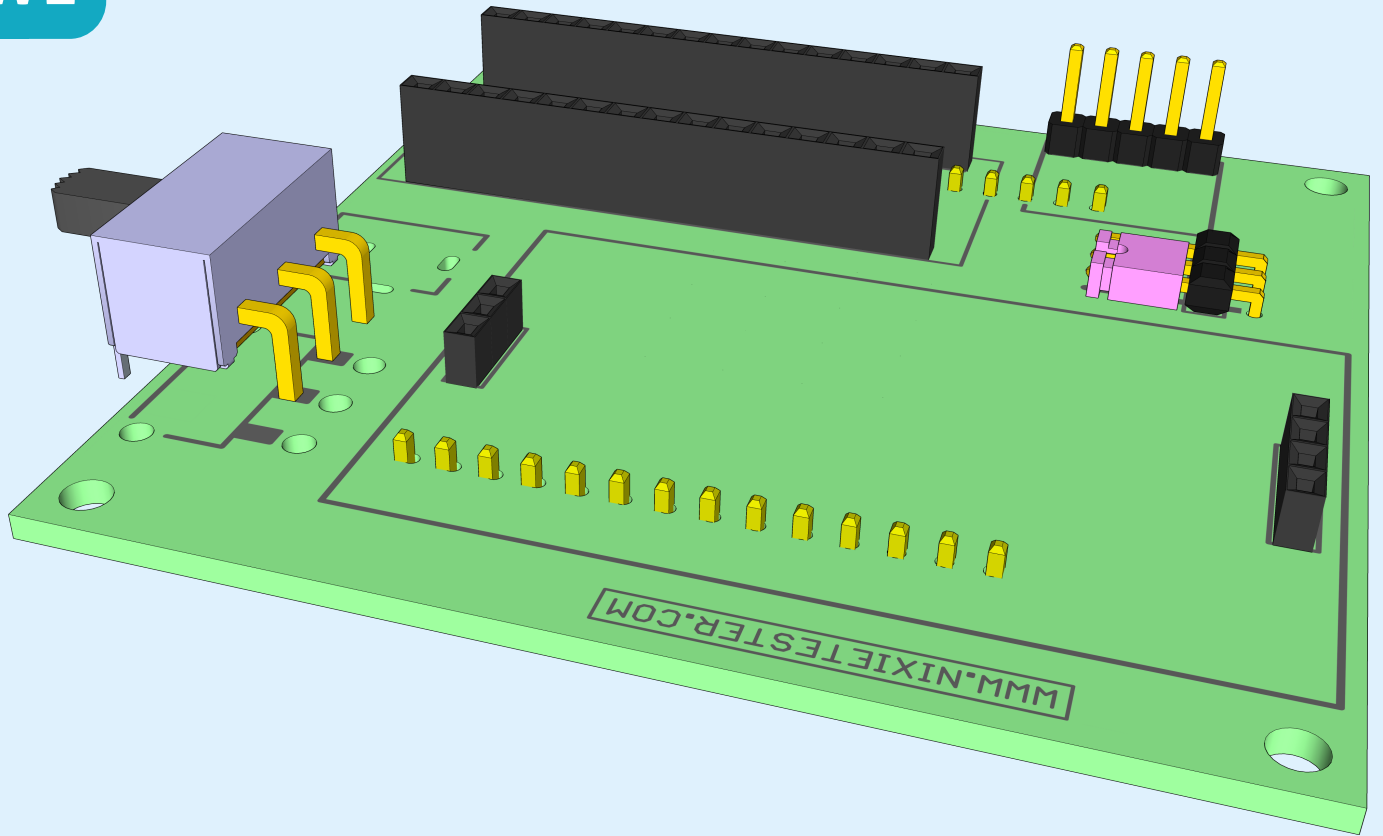
# PH5



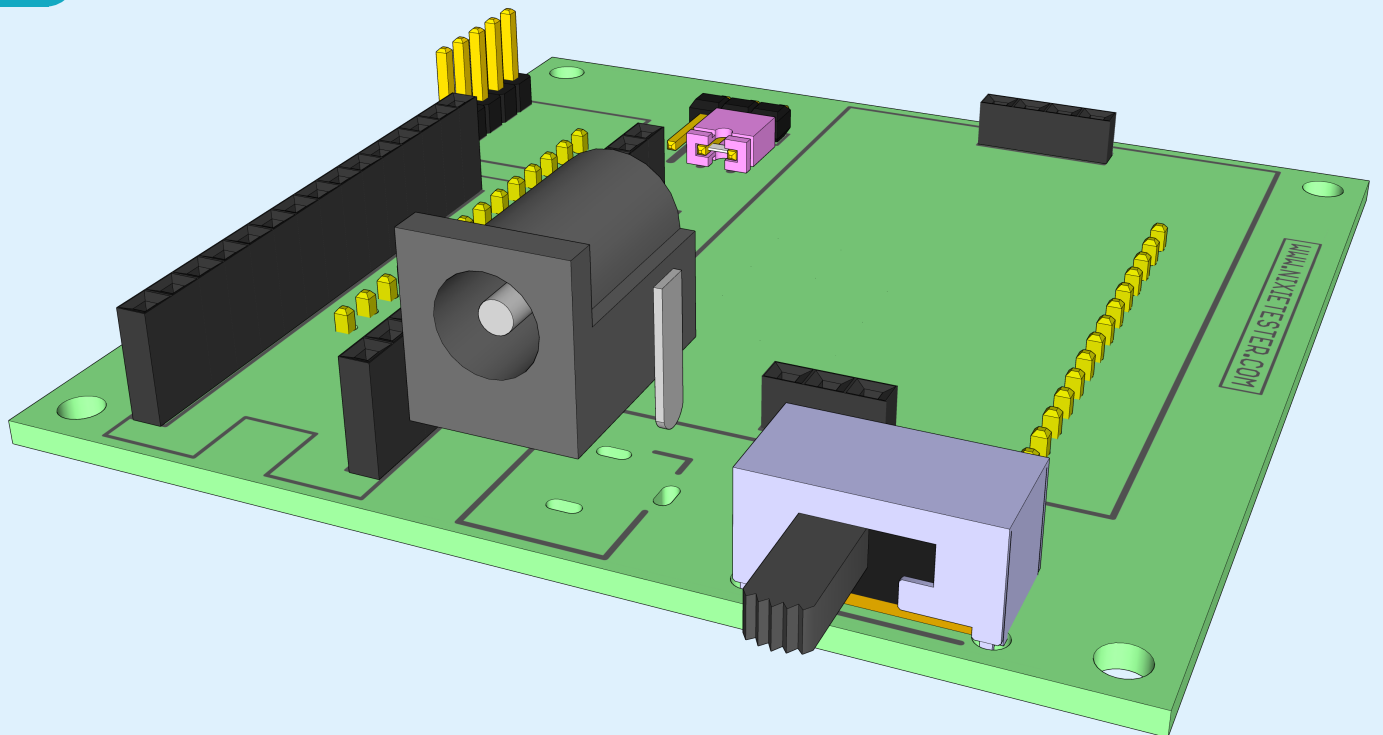
# PH3, PH4



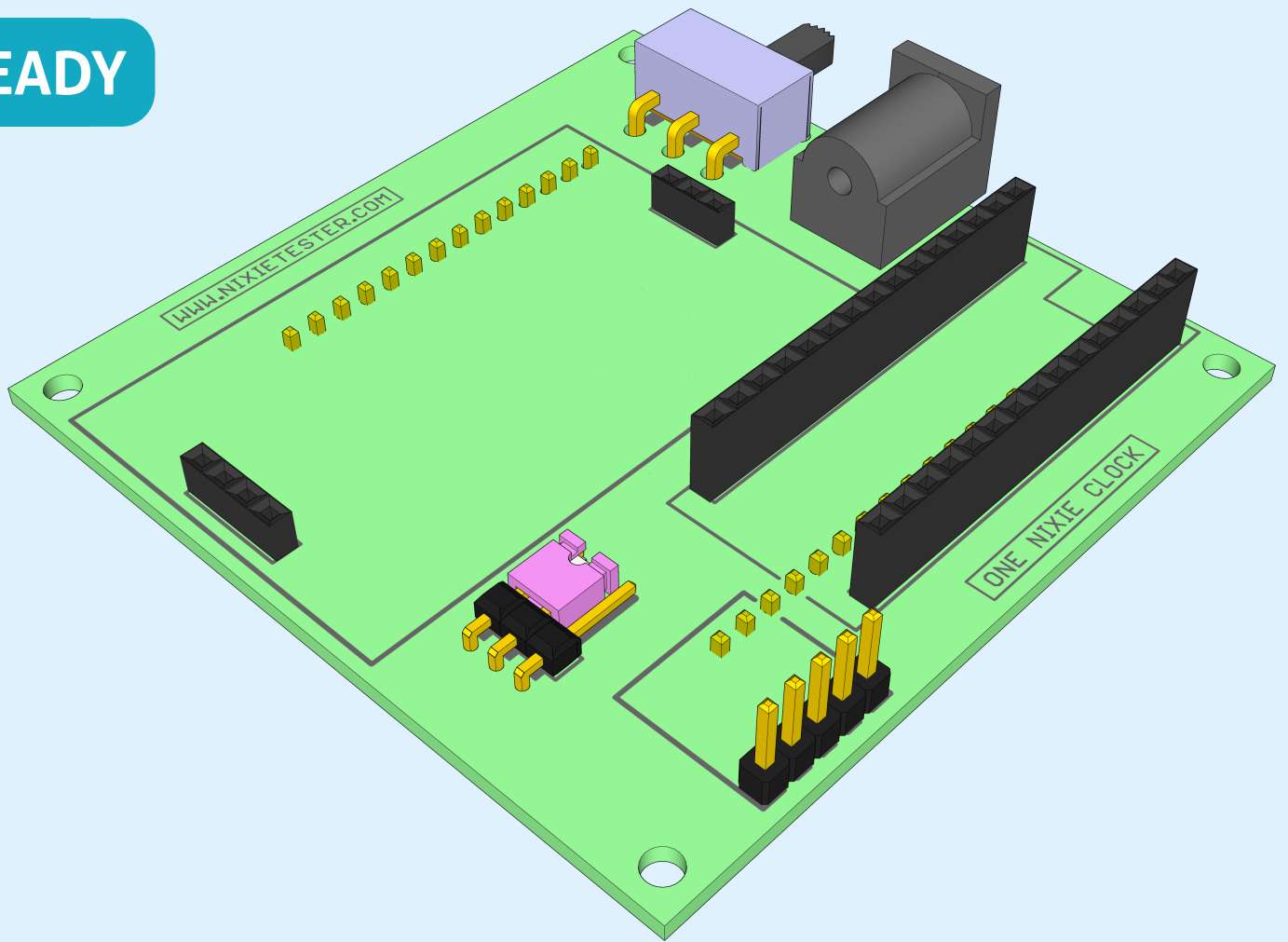
# SW1



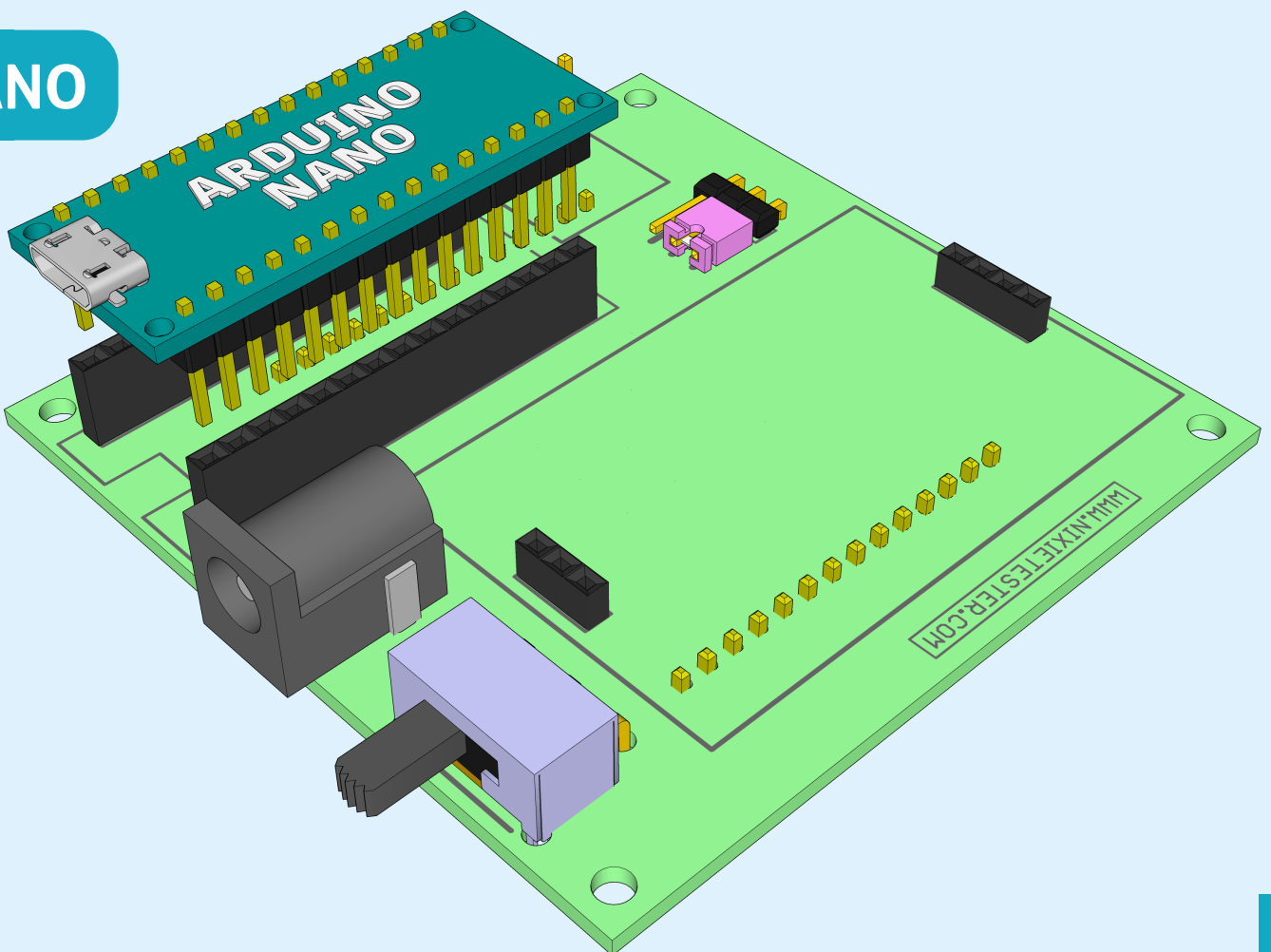
# VIN



READY

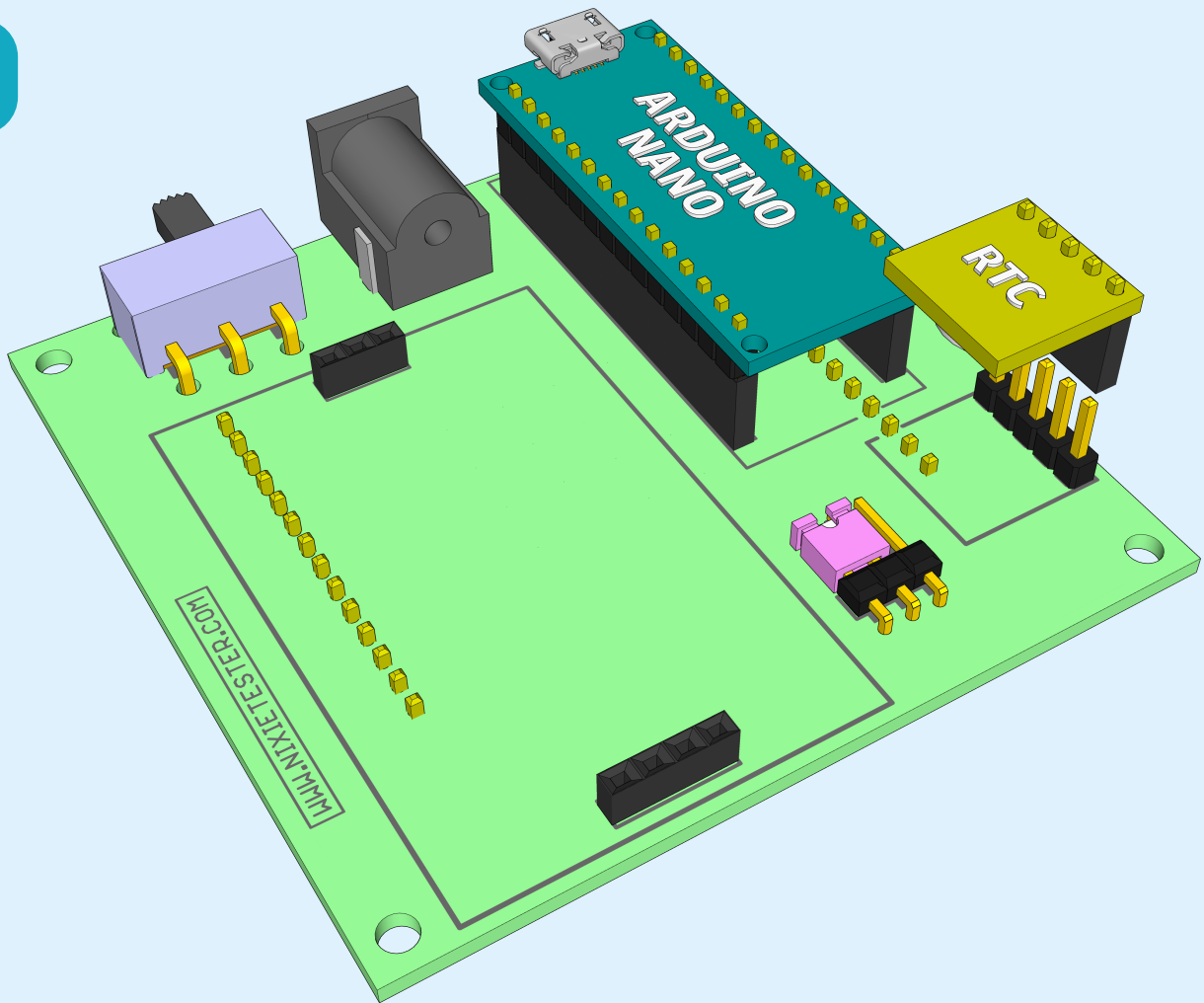


NANO

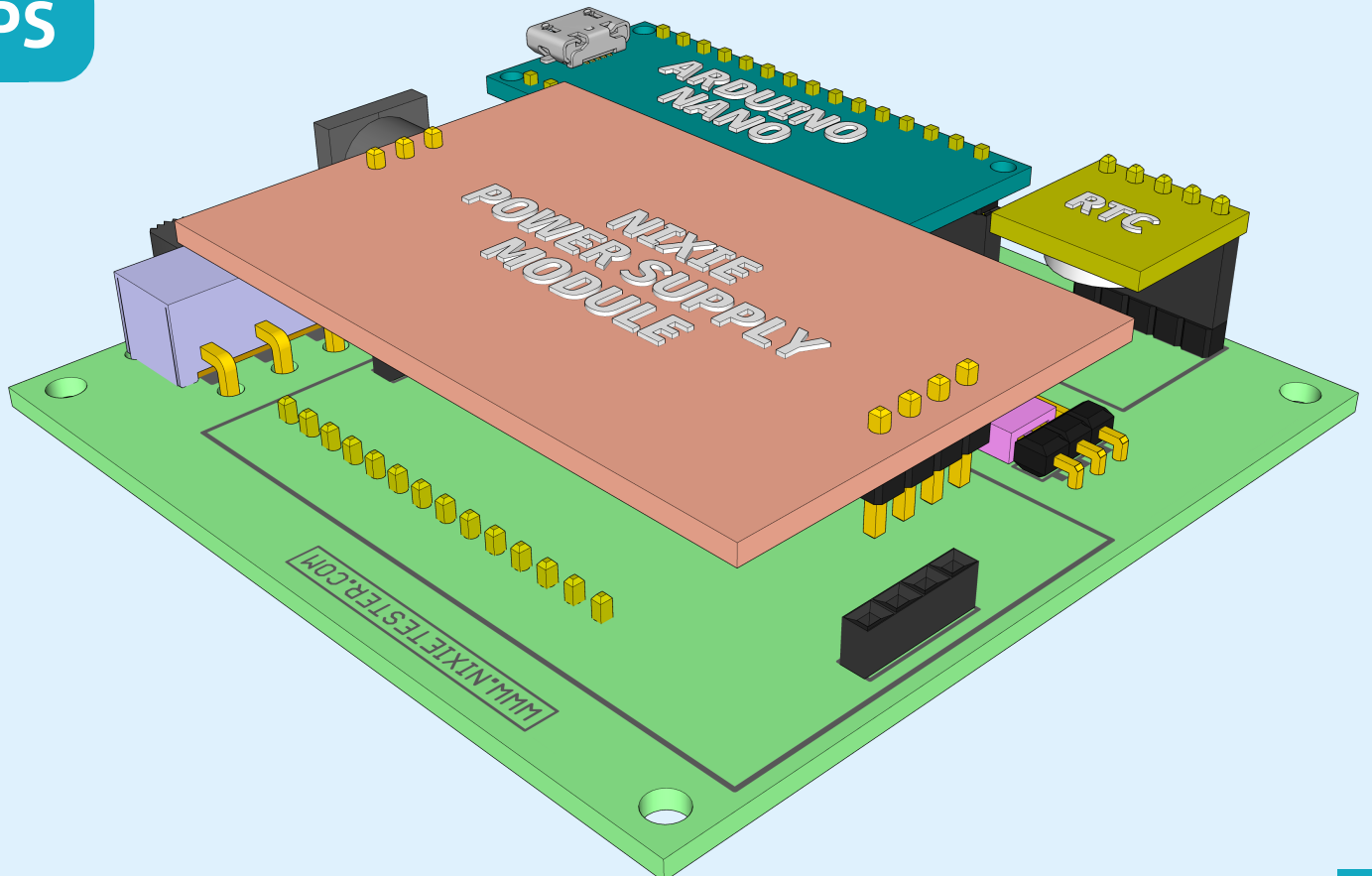


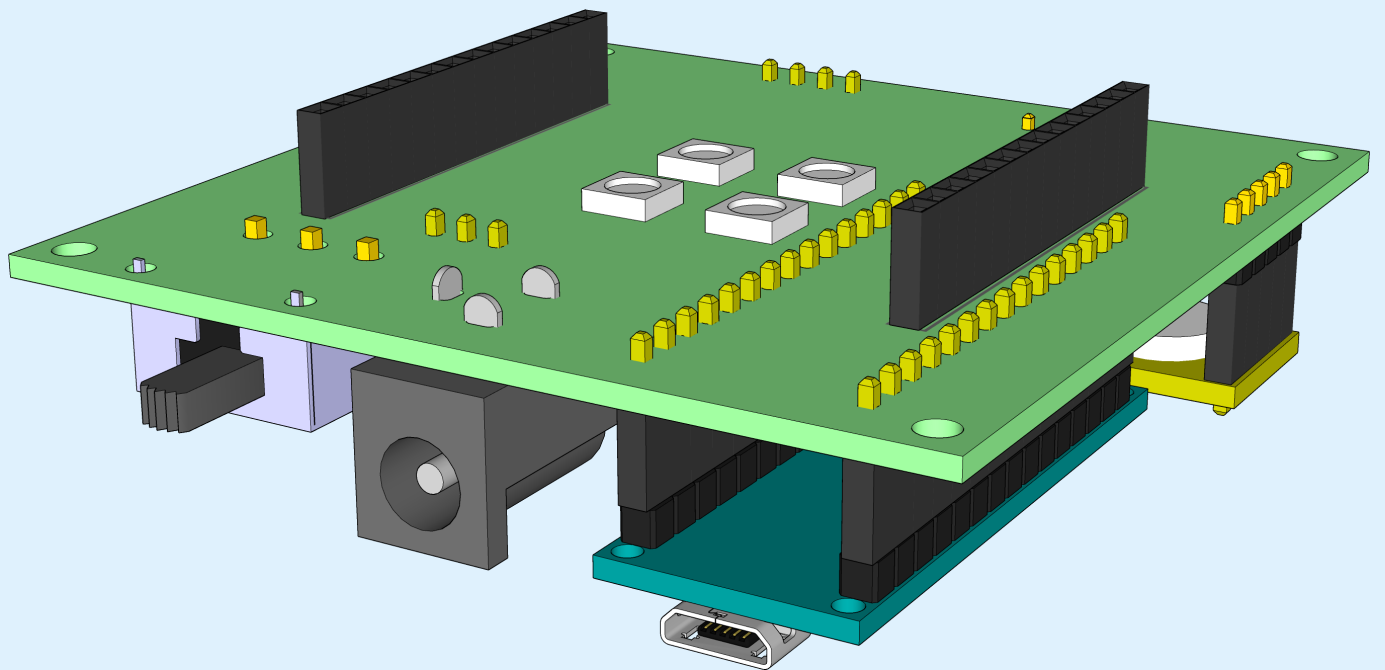
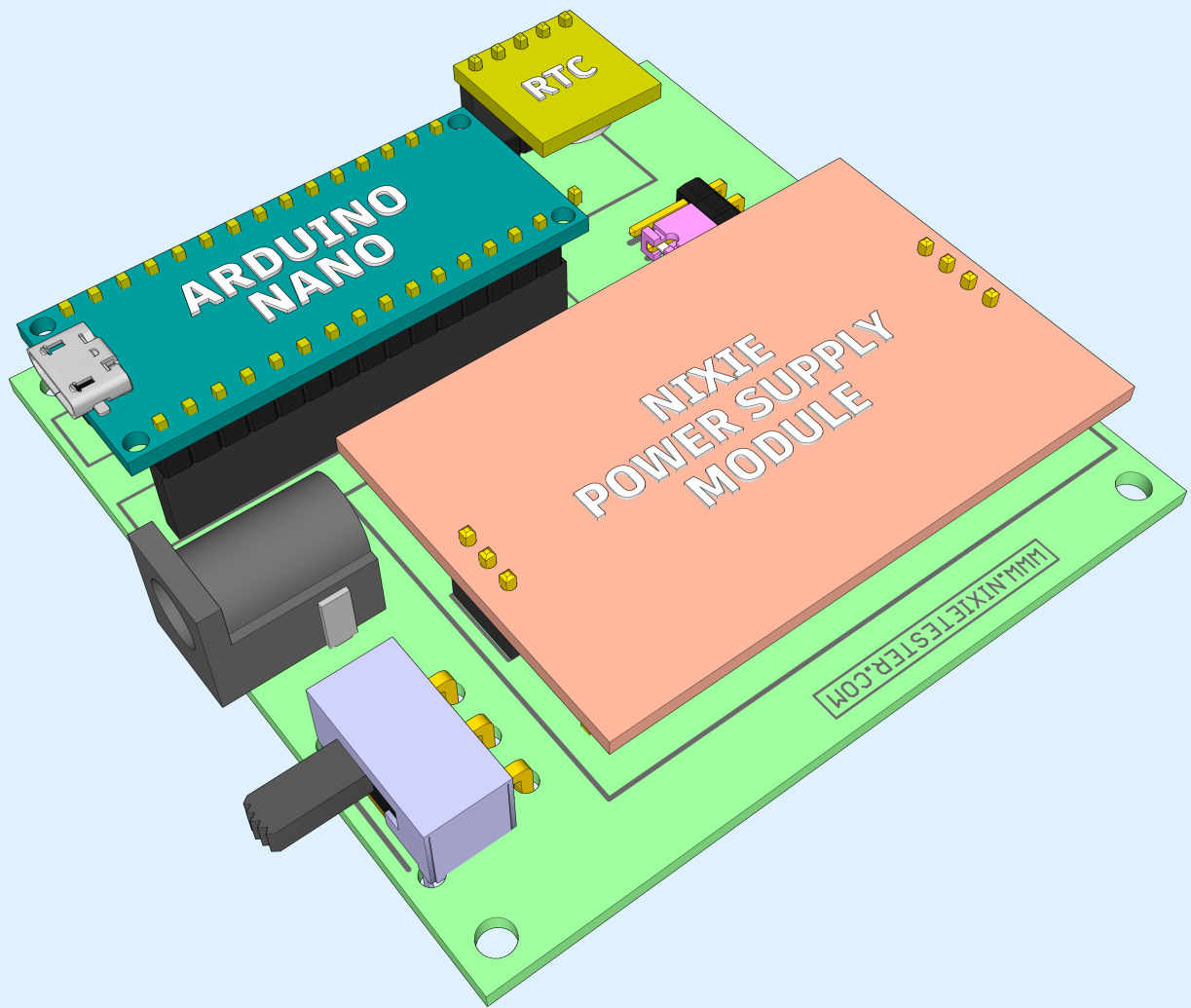


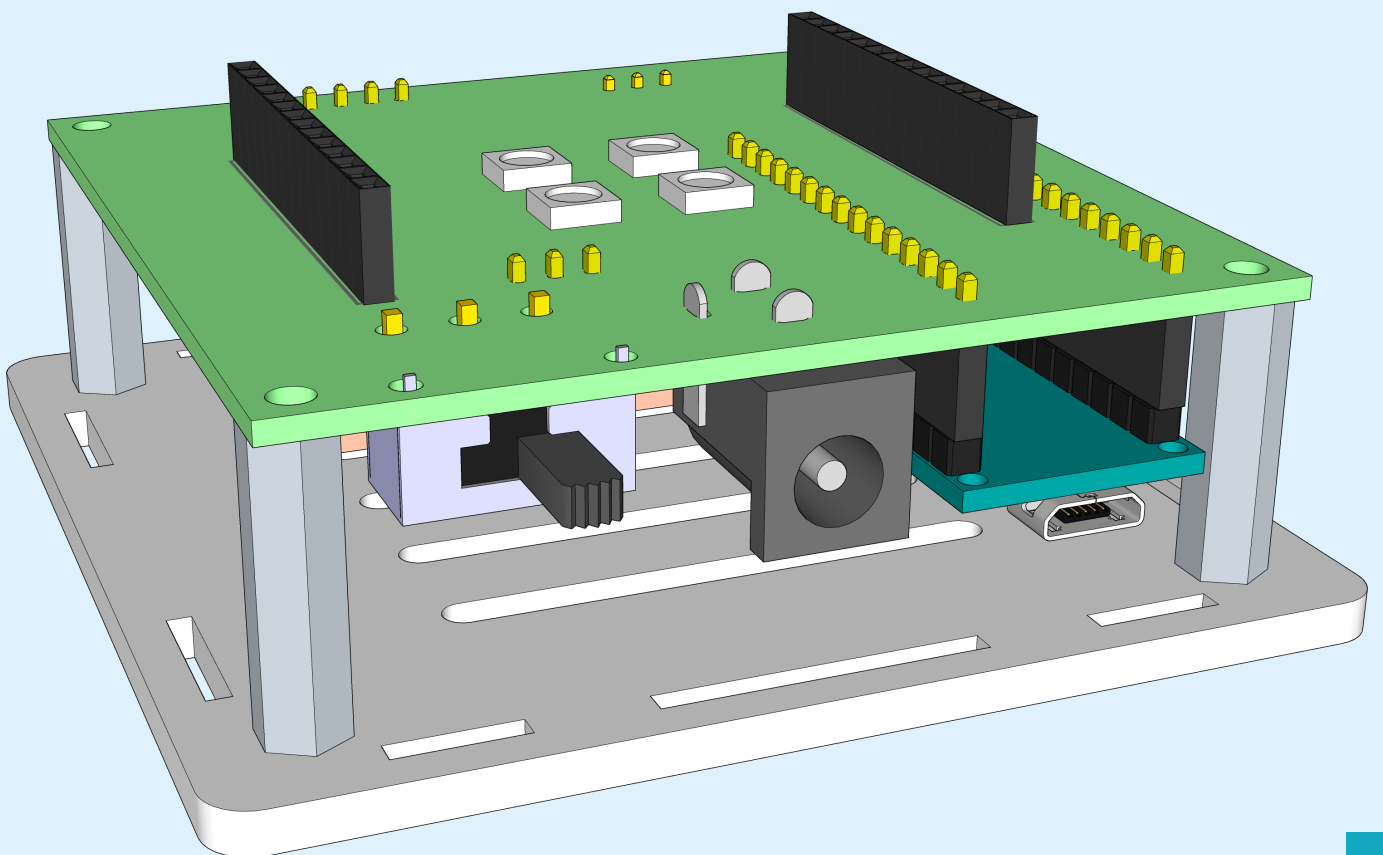
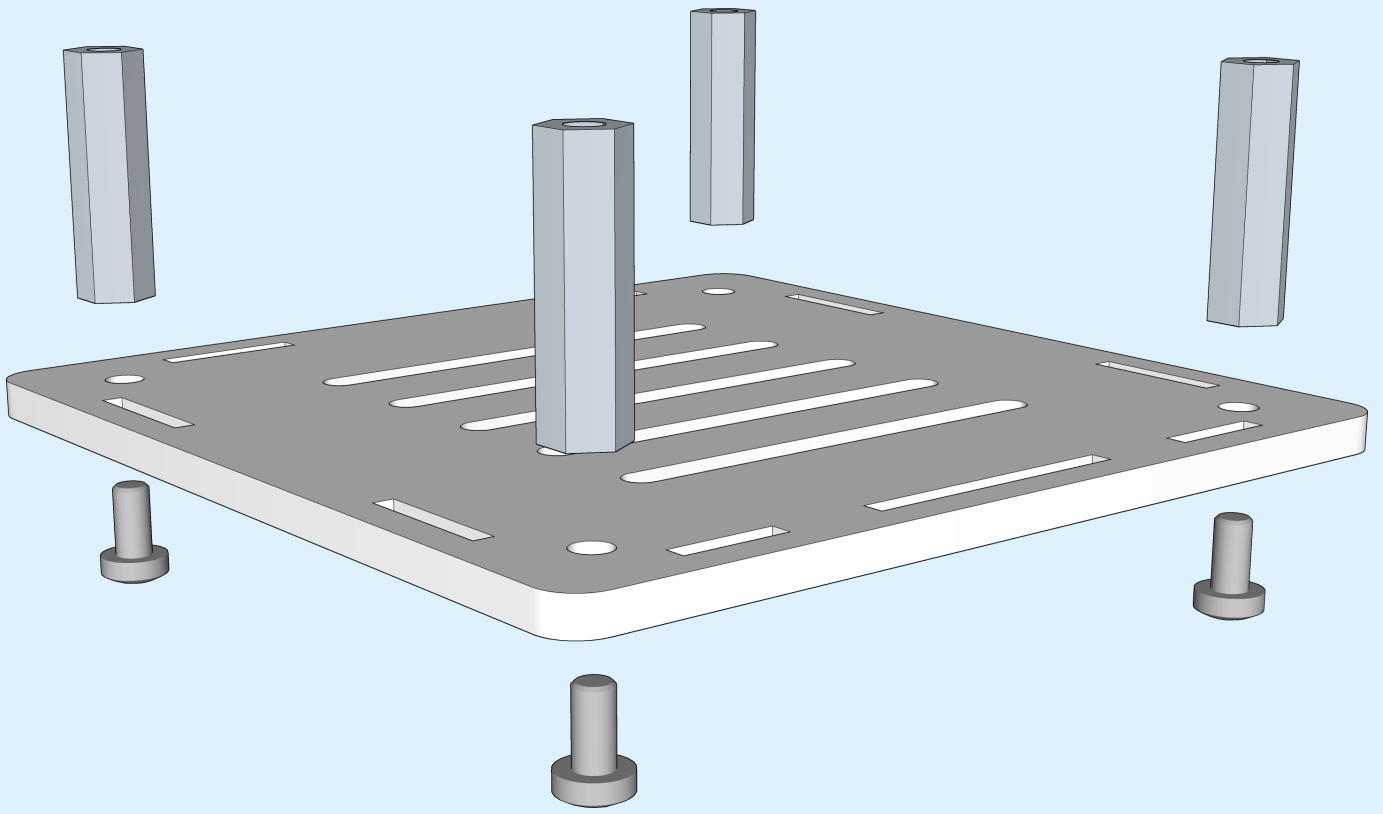
# RTC

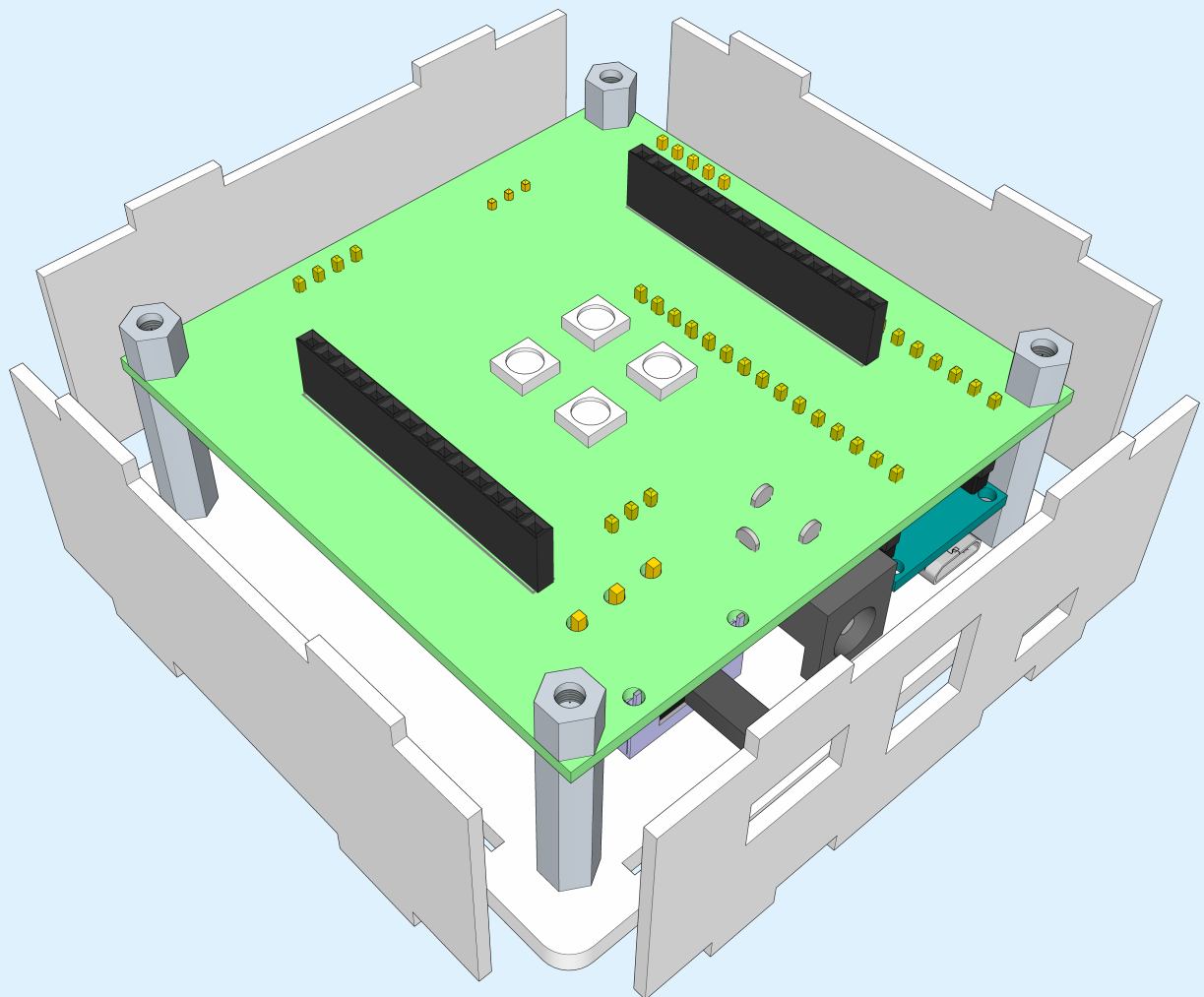
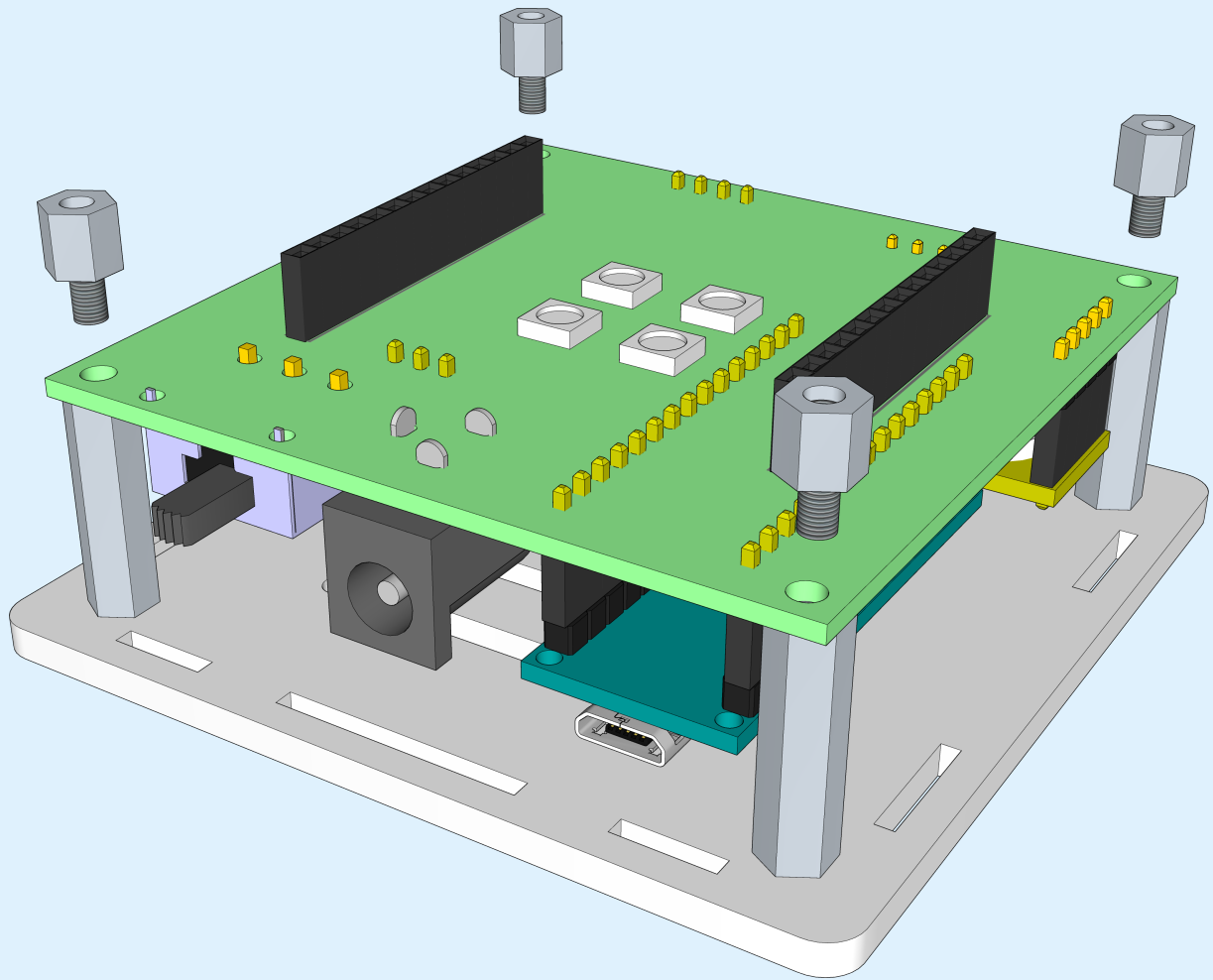


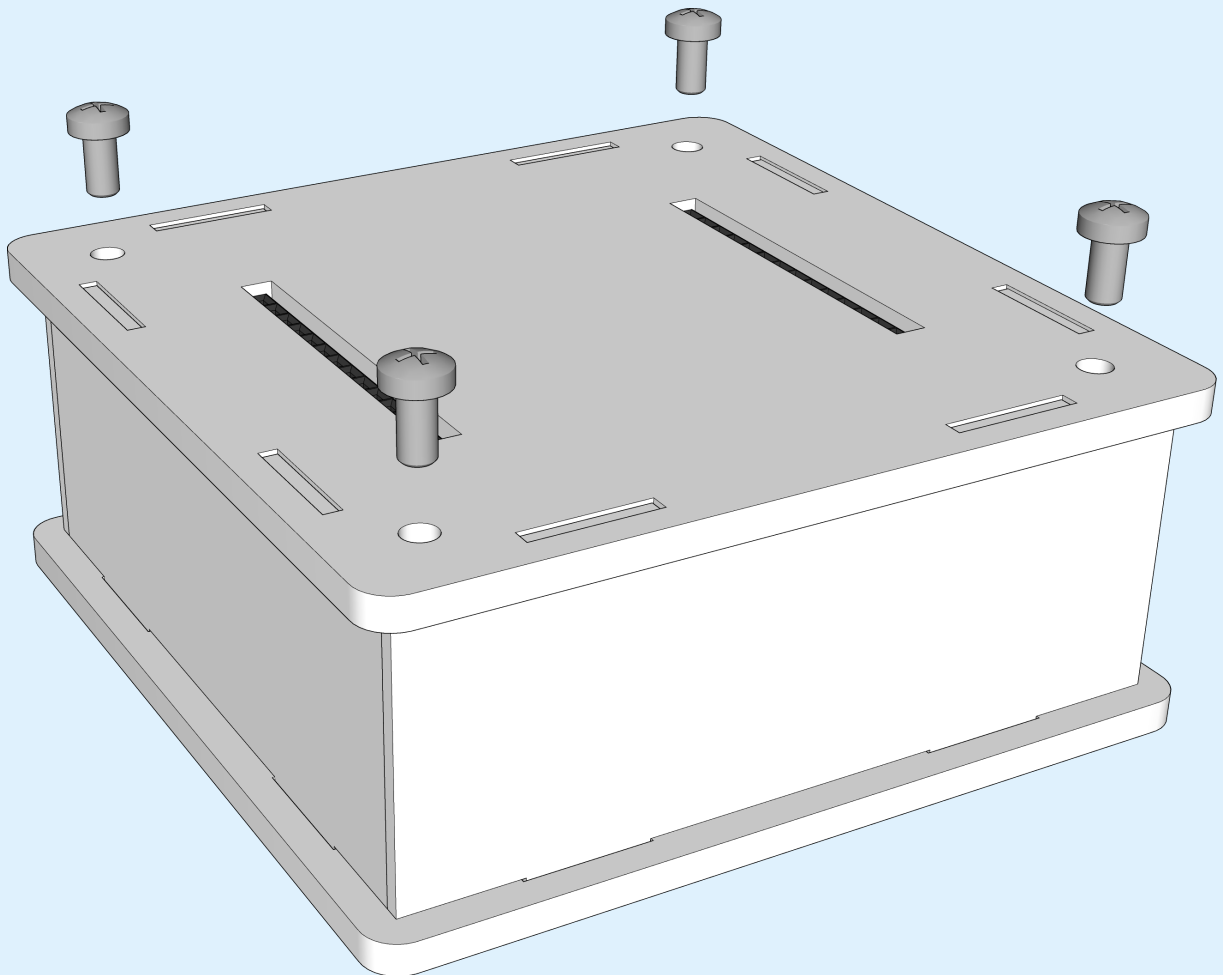
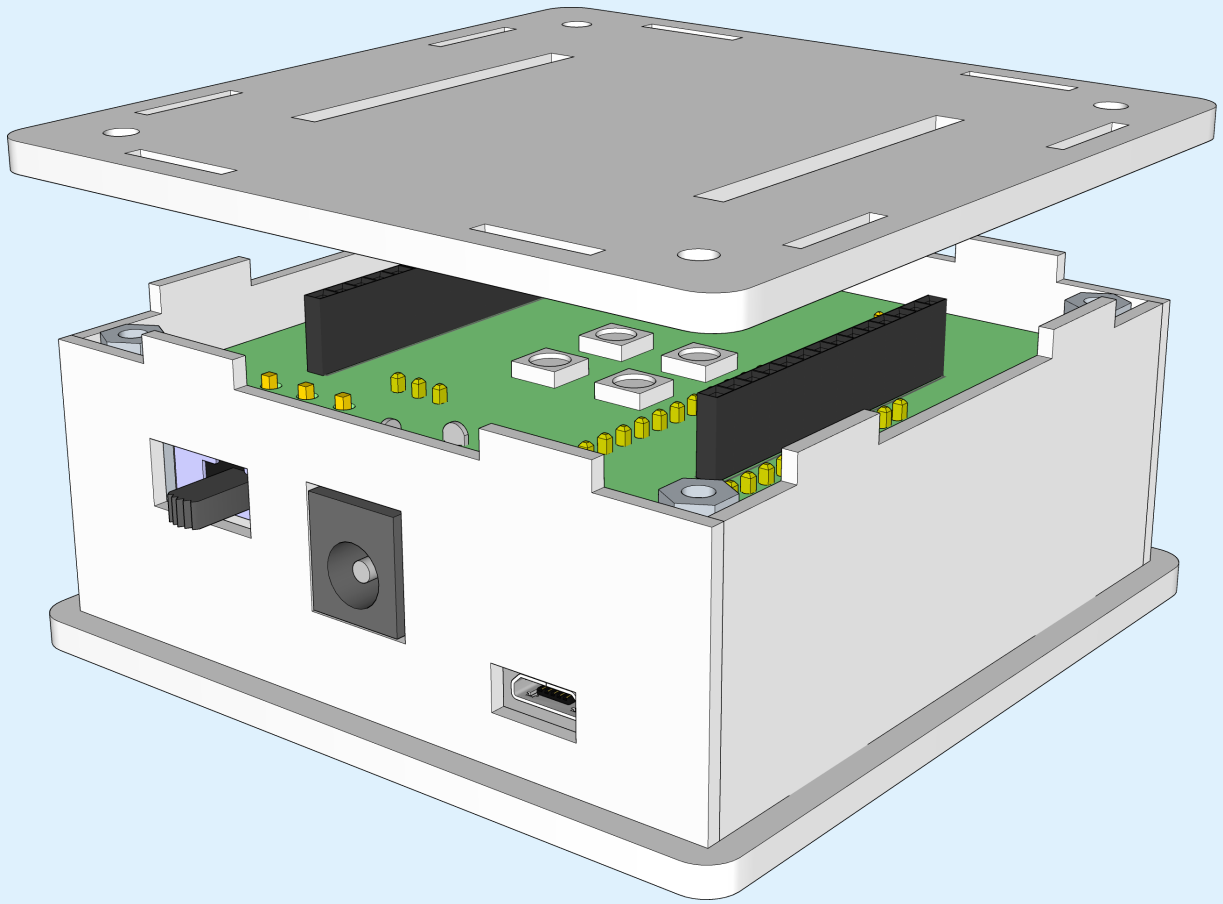
# NPS

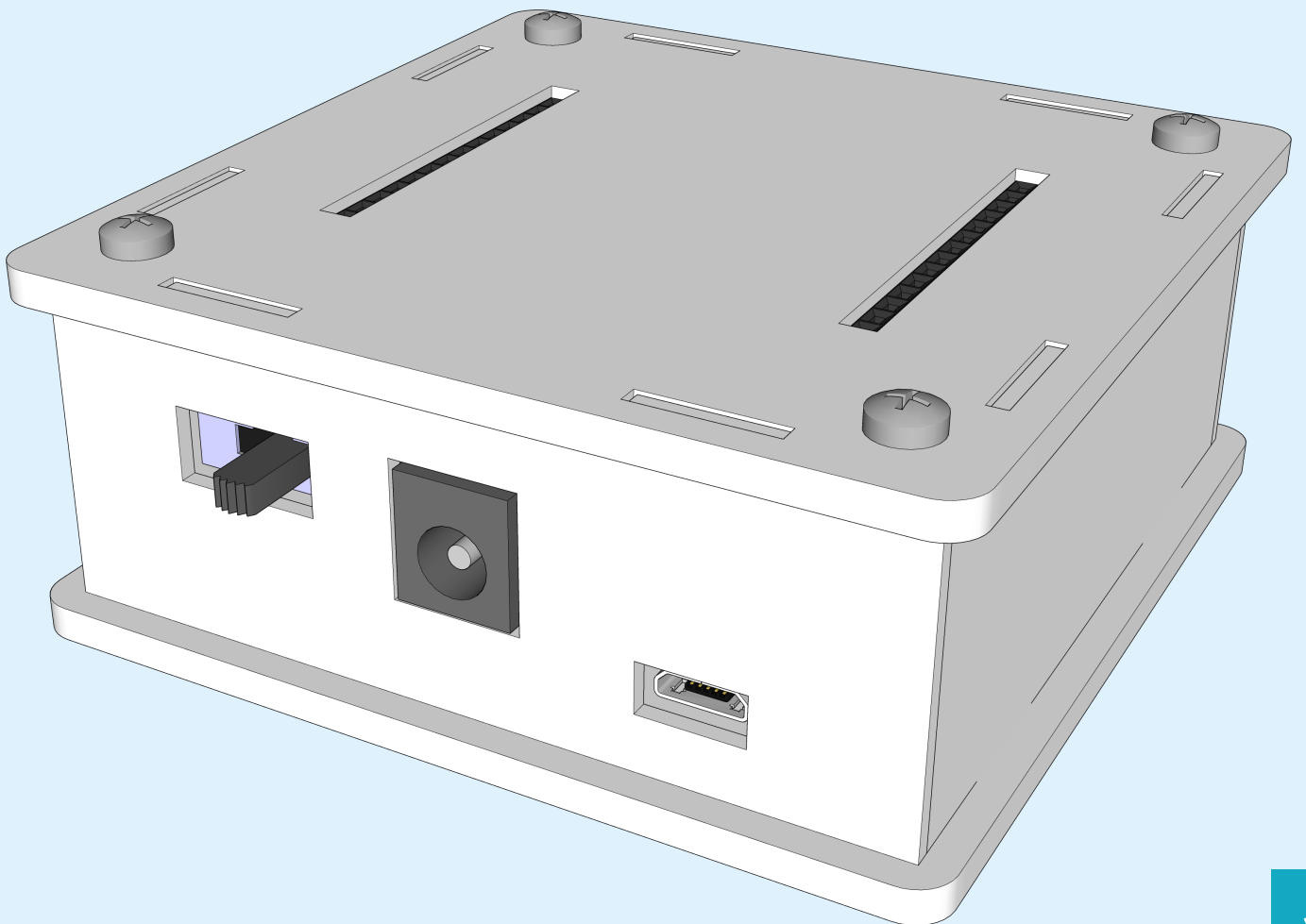
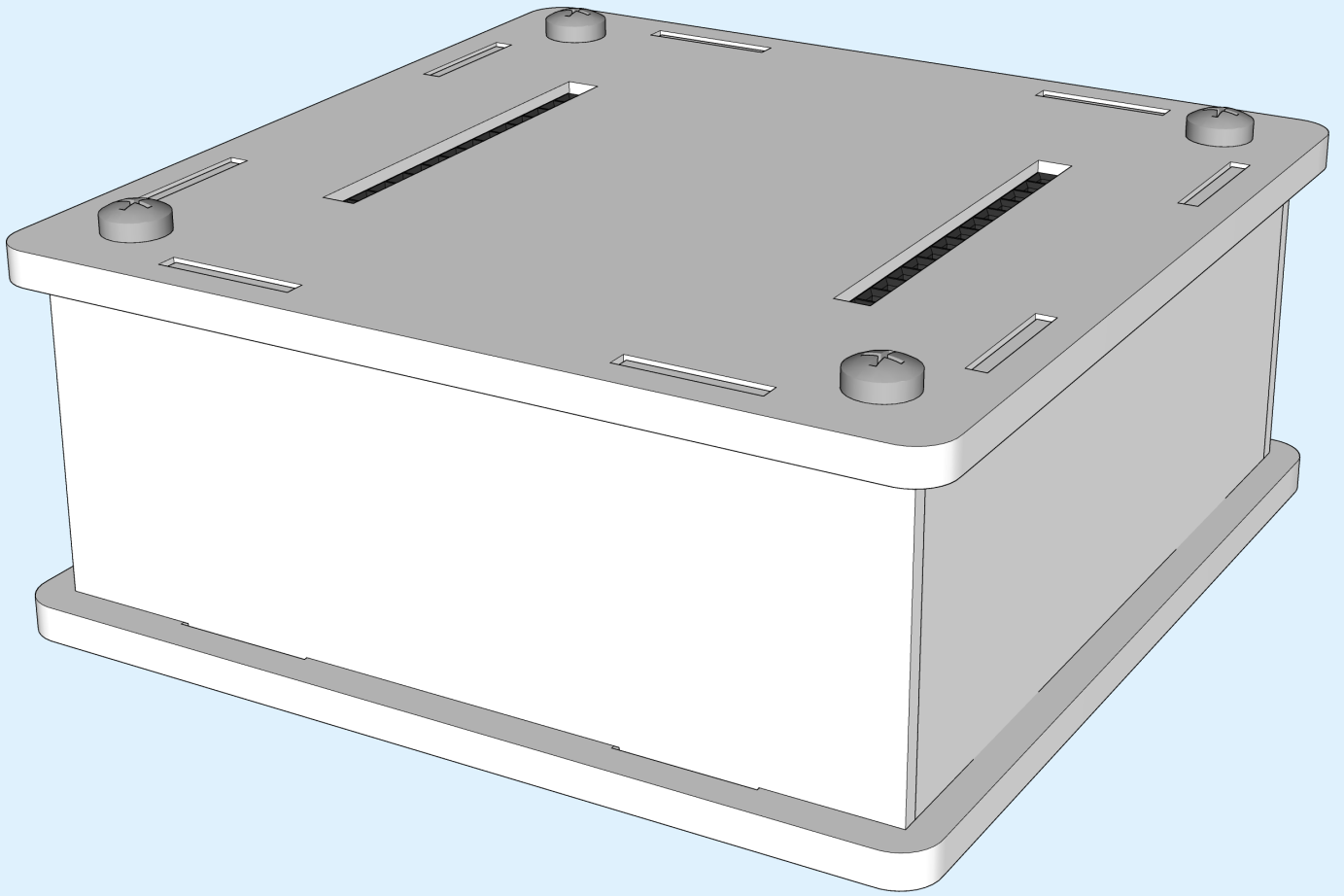






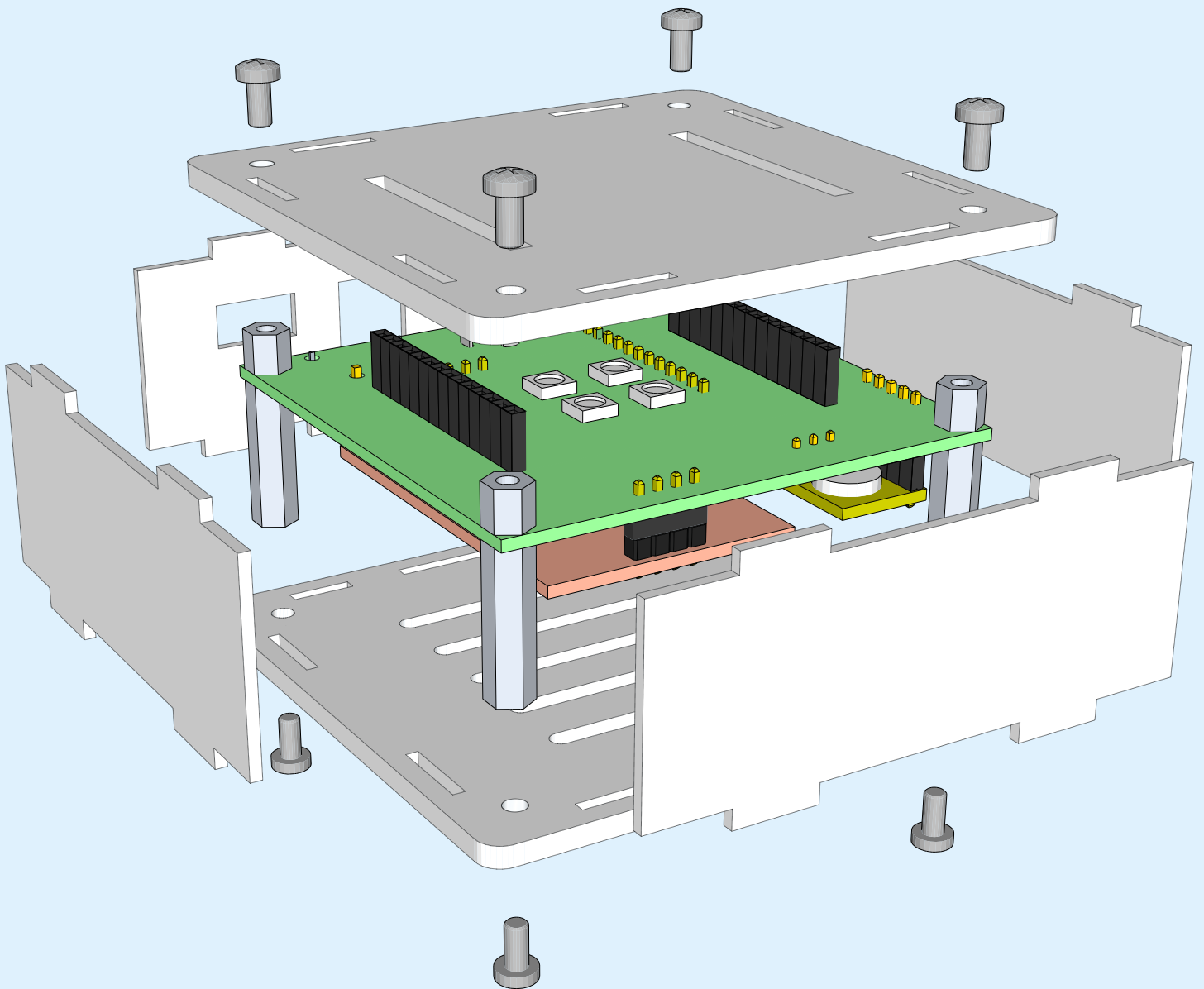






# ONE NIXIE CLOCK

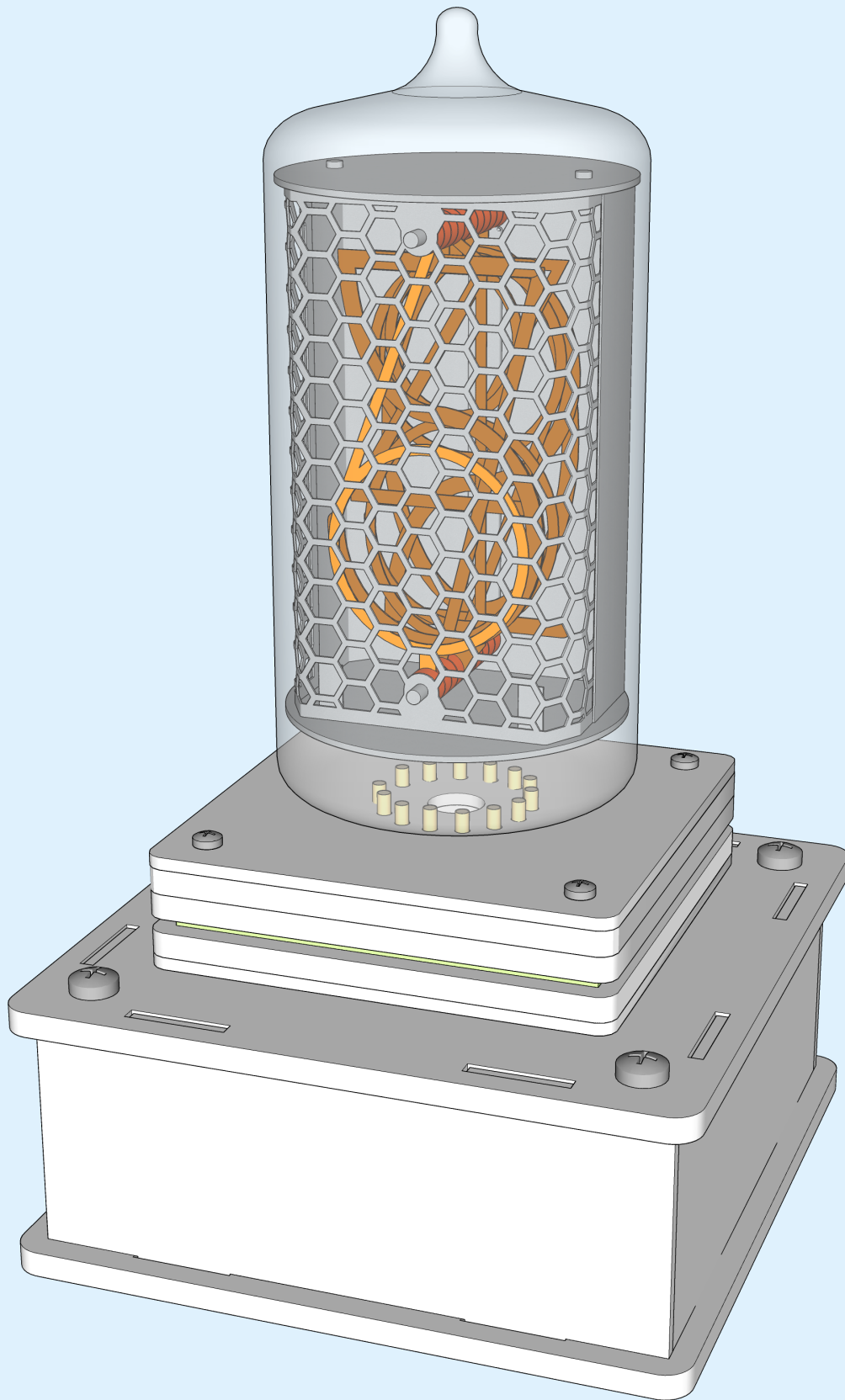
# ASSEMBLY INSTRUCTION



[WWW.NIXIETESTER.COM](http://WWW.NIXIETESTER.COM)

**ONE  
NIXIE CLOCK**

**ASSEMBLY  
INSTRUCTION**



[WWW.NIXIETESTER.COM](http://WWW.NIXIETESTER.COM)