

Sheet: STM32F401VGT



File: STM32F401VGT.sch

Sheet: Sensor



File: Sensor.sch

Sheet: Sheet61E126B0



File: Connectors.sch

Sheet: Extra_pin



File: Extra_pin.sch



Sheet: /
File: STM32F4.sch

Title:

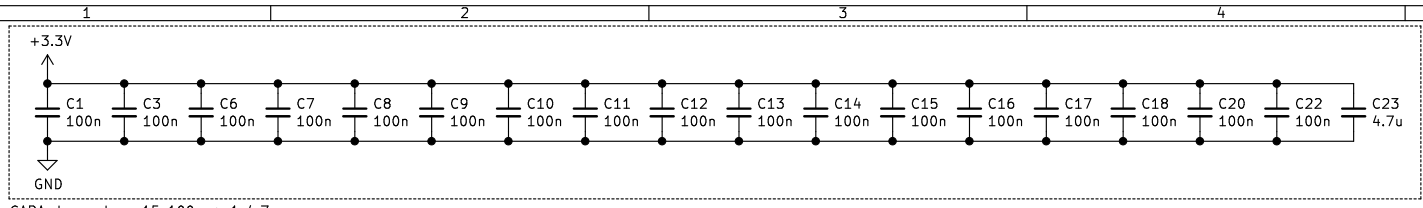
Size: A4

Date:

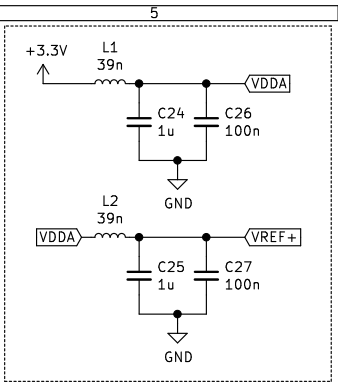
KiCad E.D.A. kicad (5.1.10)-1

Rev:

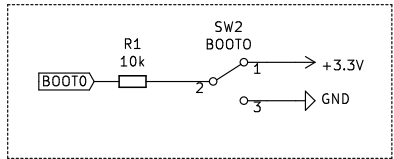
Id: 1/5



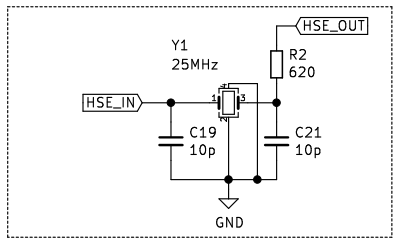
CAPA decouplage 15 100n + 1 4.7u



Fitre VREF+/VDDA

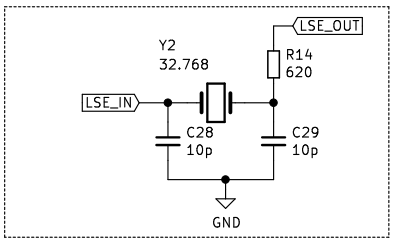


BootMode SW

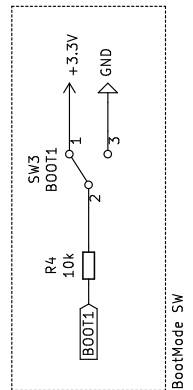


High Speed Ext OSC

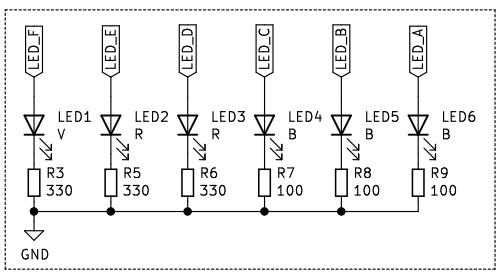
$C19 = C21 = 2 * (CL - Cstray)$
 $Cstray = \{2pF, 5pF\}$
 $Rext = 1/(2*pi*f*CL2)$



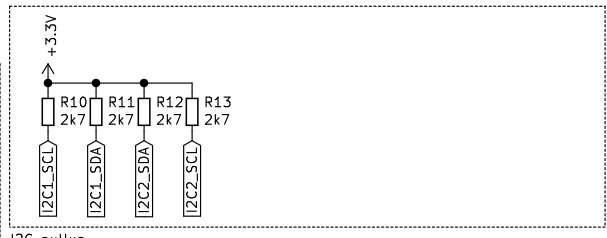
Low Speed Ext OSC



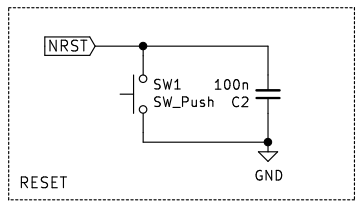
BootMode SW



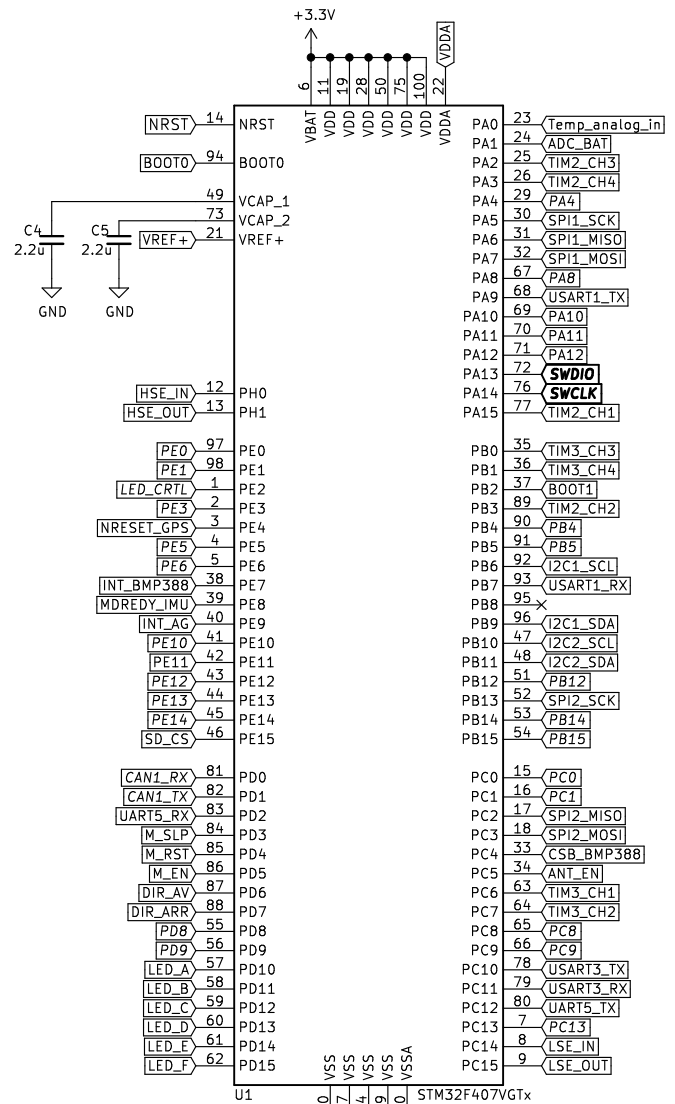
Indicator LED Circuit



I2C pullup

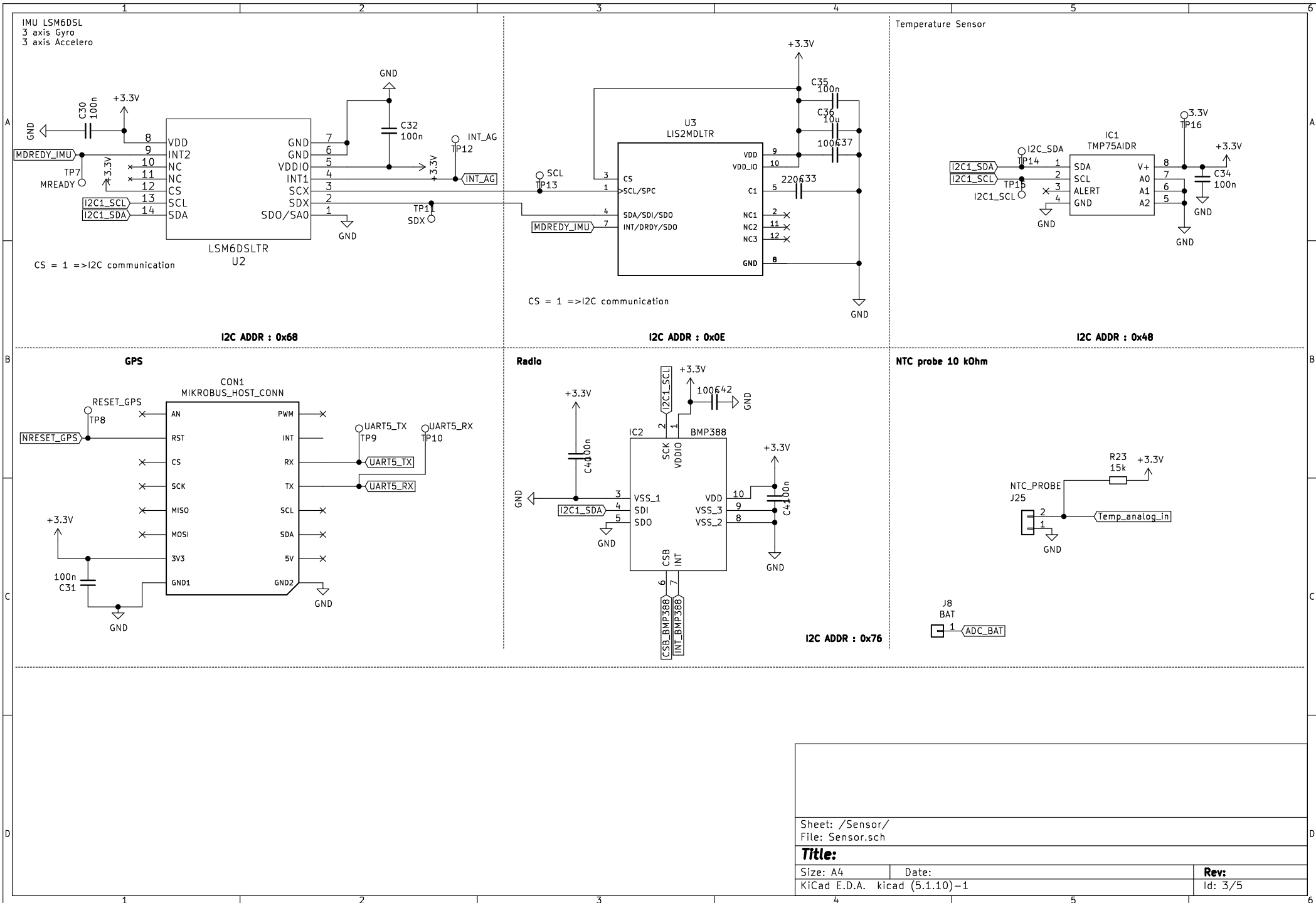


RESET



U1 STM32F407VGTx

Sheet: /STM32F401VGT/		Date:	
File: STM32F401VGT.sch		Rev:	
Size: A4	KiCad E.D.A. kicad (5.1.10)-1		Id: 2/5



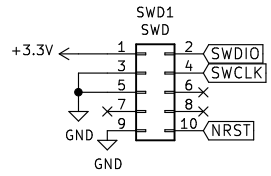
Sheet: /Sensor/
 File: Sensor.sch

Title:

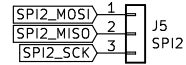
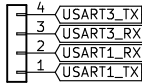
Size: A4 Date:

KiCad E.D.A. kicad (5.1.10)-1 **Rev:**
 Id: 3/5

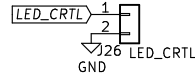
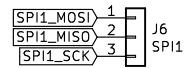
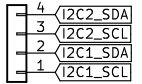
Serial Debug



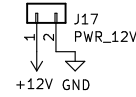
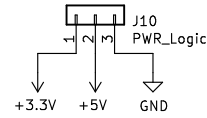
J1 USART



J2 I2C



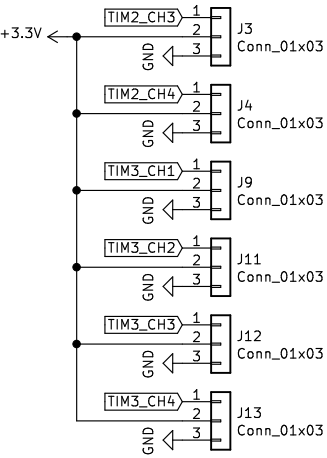
Communication connectors



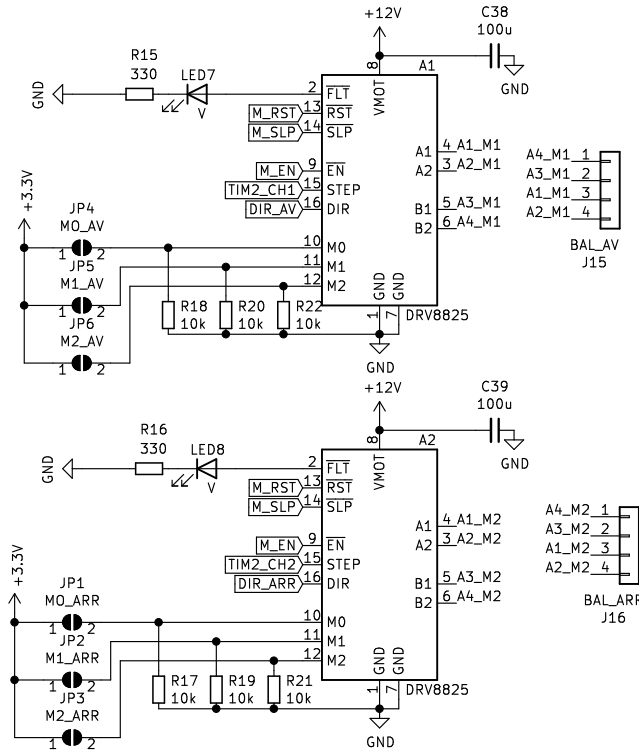
Power

USB

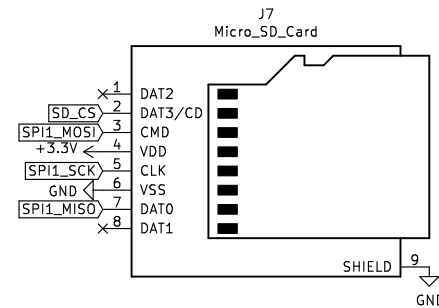
- (USB_DP)
- (USB_ID)
- (USB_DM)



PWM connector

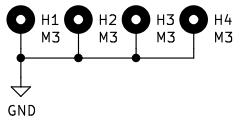


verifier valeur



VERIFICATION A FAIRE

SD card



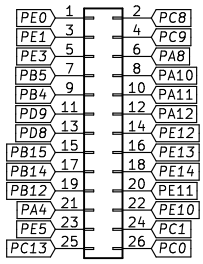
Sheet: /Sheet61E126B0/
File: Connectors.sch

Title:

Size: A4 Date:
KiCad E.D.A. kicad (5.1.10)-1

Rev:
Id: 4/5

J18
Conn_02x13_Odd_Even



Sheet: /Extra_pin/		Date:	
File: Extra_pin.sch		Rev:	
Title:			
Size: A4	KiCad E.D.A. kicad (5.1.10)-1		Id: 5/5