

**MAAL's LAB**

Sheet: /  
File: WiLC.kicad\_sch

**Title: WiLC**

Size: A4 | Date: 2021-12-29

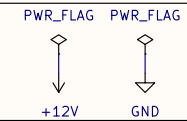
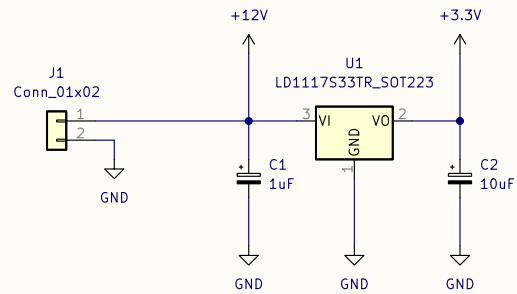
KiCad E.D.A. kicad (6.0.0)

**Rev: 1**

Id: 1/5

Fixed low drop positive voltage regulator, based on the LD1117 able to provide up to 800 mA of output current

DC input Voltage = 15V MAX  
Power dissipation = 12W  
DC output Voltage = 3.3V



MAAL's LAB

Sheet: /Voltage Regulator/  
File: Voltage\_Regulator.kicad\_sch

**Title: Voltage Regulator**

Size: A4 | Date: 2021-12-29

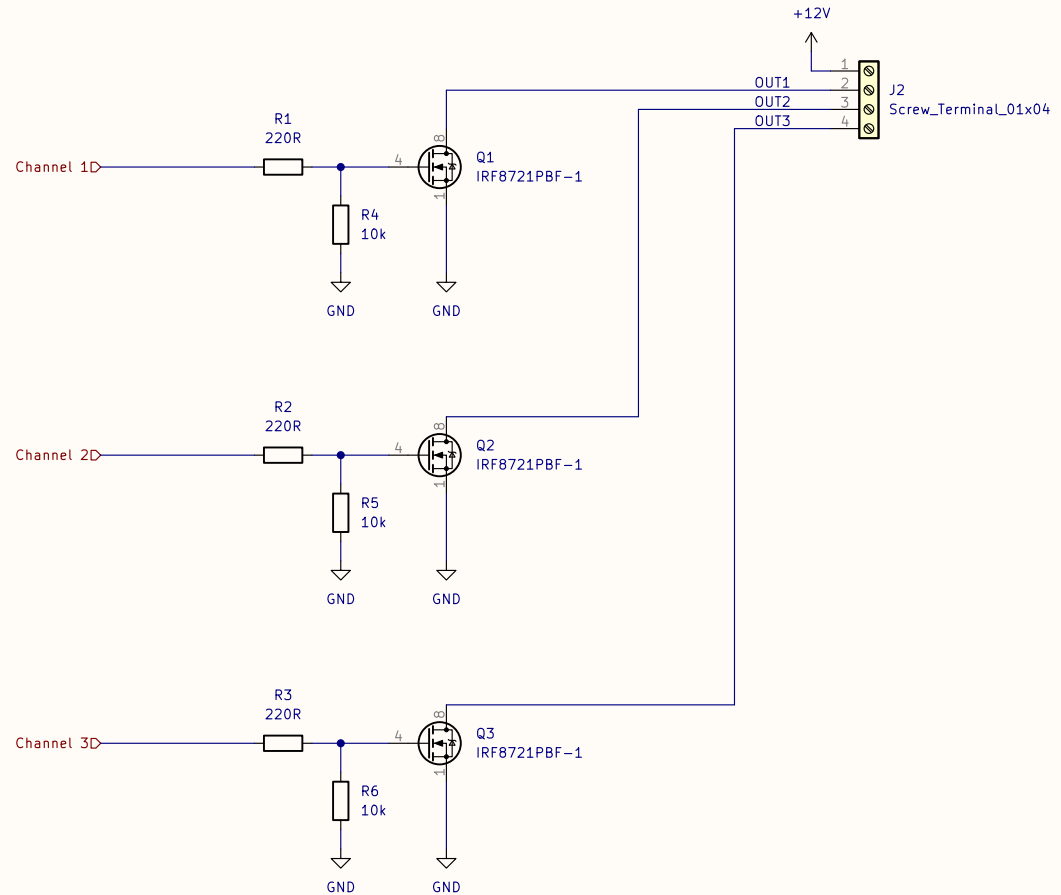
KiCad E.D.A. kicad (6.0.0)

Rev: 1

Id: 2/5

3 Channels Active Low 12V LED Lamp or Strip can be connected to be turned ON/OFF based on the desired application.

LED Specs:  
Voltage = 12V  
Current = 14A



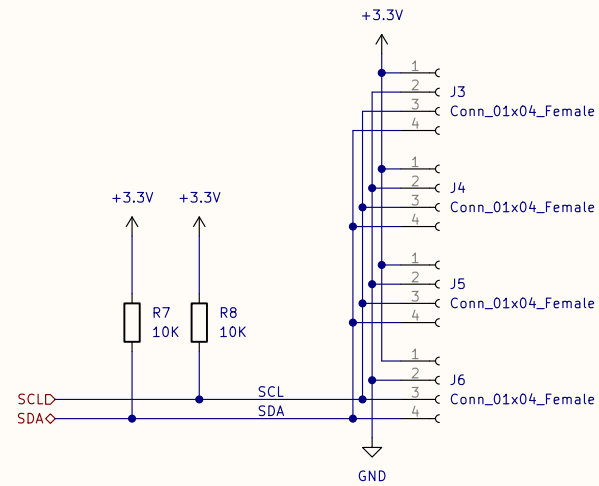
**MAAL's LAB**

Sheet: /Light Interface/  
File: Light Interface.kicad\_sch

**Title: Light Interface**

Size: A4 Date: 2021-12-29  
KiCad E.D.A. kicad (6.0.0)

**Rev: 1**  
Id: 3/5



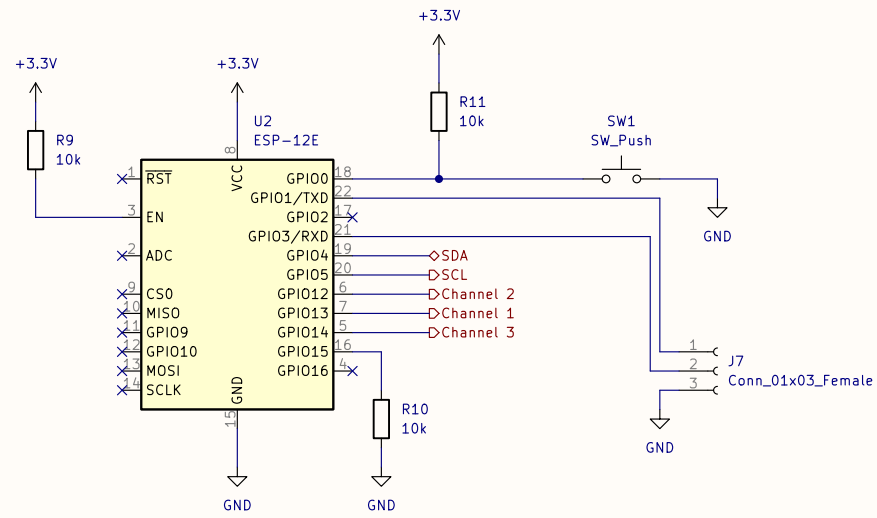
**MAAL's LAB**

Sheet: /I2C\_BUS\_Interface/  
 File: I2C\_BUS\_Interface.kicad\_sch

**Title: I2C BUS Interface**

Size: A4 Date: 2022-01-03  
 KiCad E.D.A. kicad (6.0.0)

**Rev: 1**  
 Id: 4/5



<b>MAAL's LAB</b>	
Sheet: /MCU/	
File: MCU.kicad_sch	
<b>Title: MCU</b>	
Size: A4	Date: 2022-01-05
KiCad E.D.A. kicad (6.0.0)	Rev: 1
	Id: 5/5