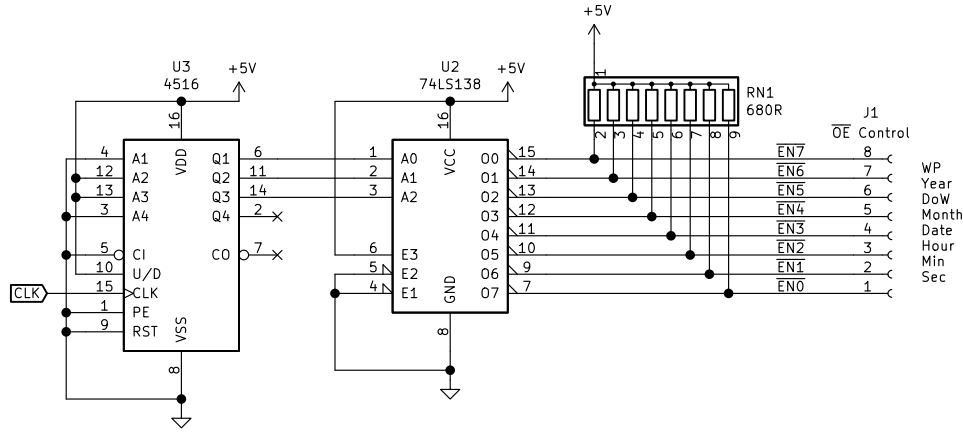
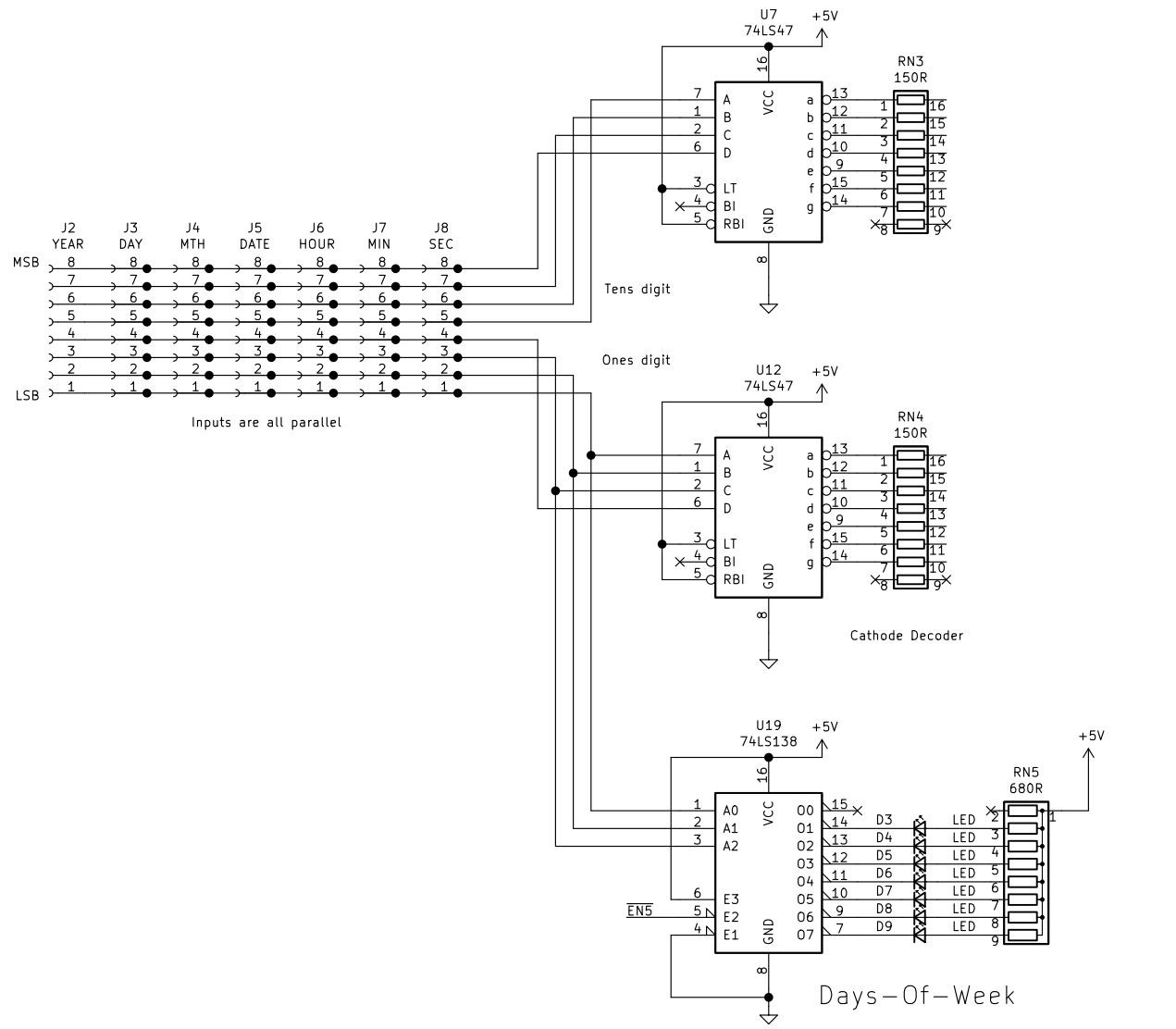


Multiplexing Clock

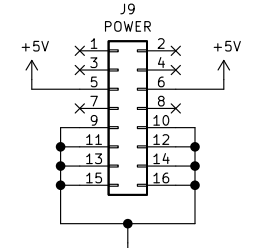
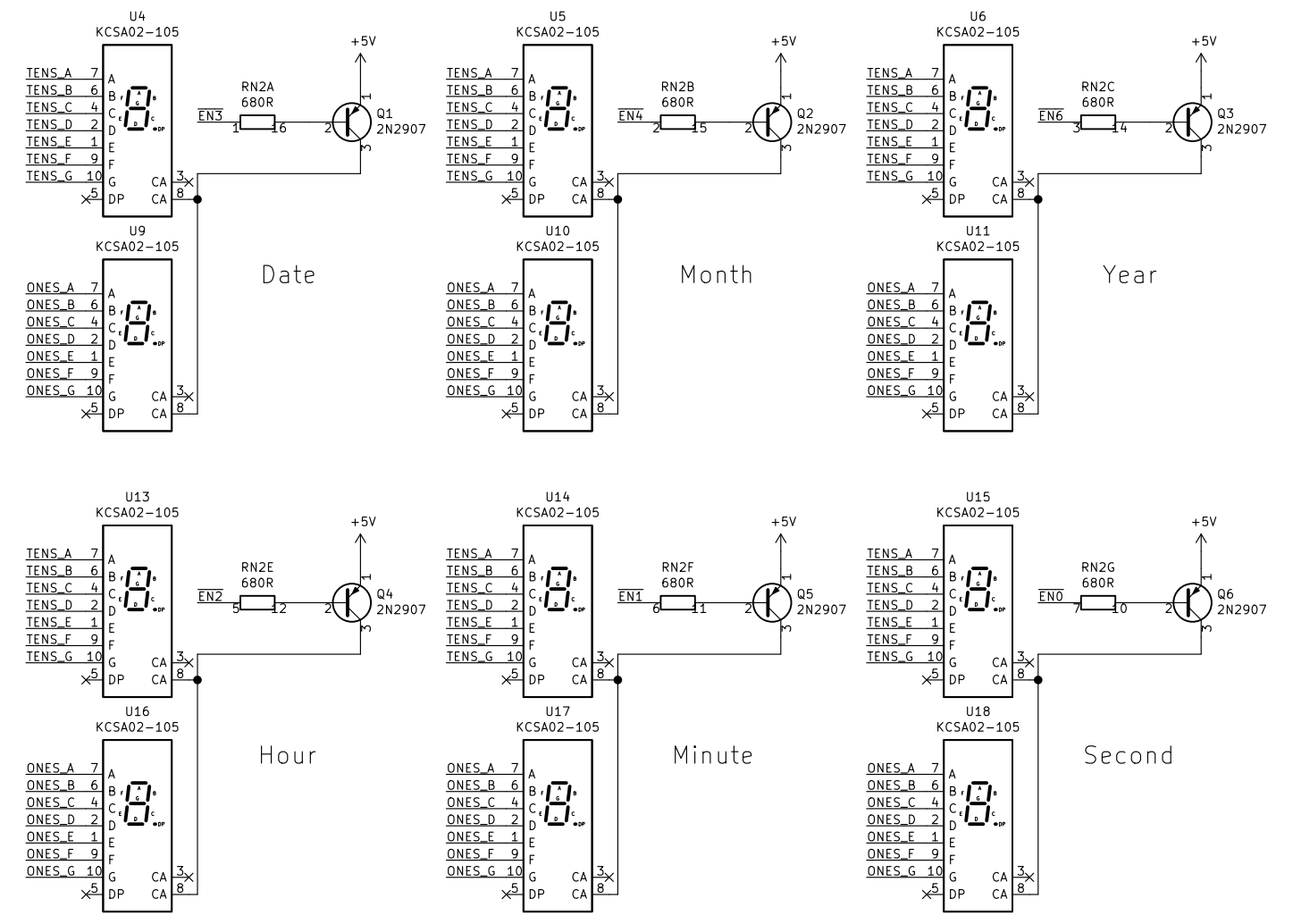


Output selector

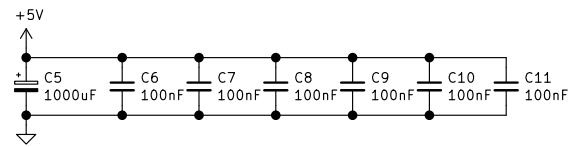


Inputs are all parallel

Days-Of-Week



Power Connector



Decoupling Capacitors

Sheet: /		
File: logic_ds1302_segment_output.sch		
Title:		
Size: A3	Date:	Rev:
KiCad E.D.A. kicad (5.1.10)-1		Id: 1/1