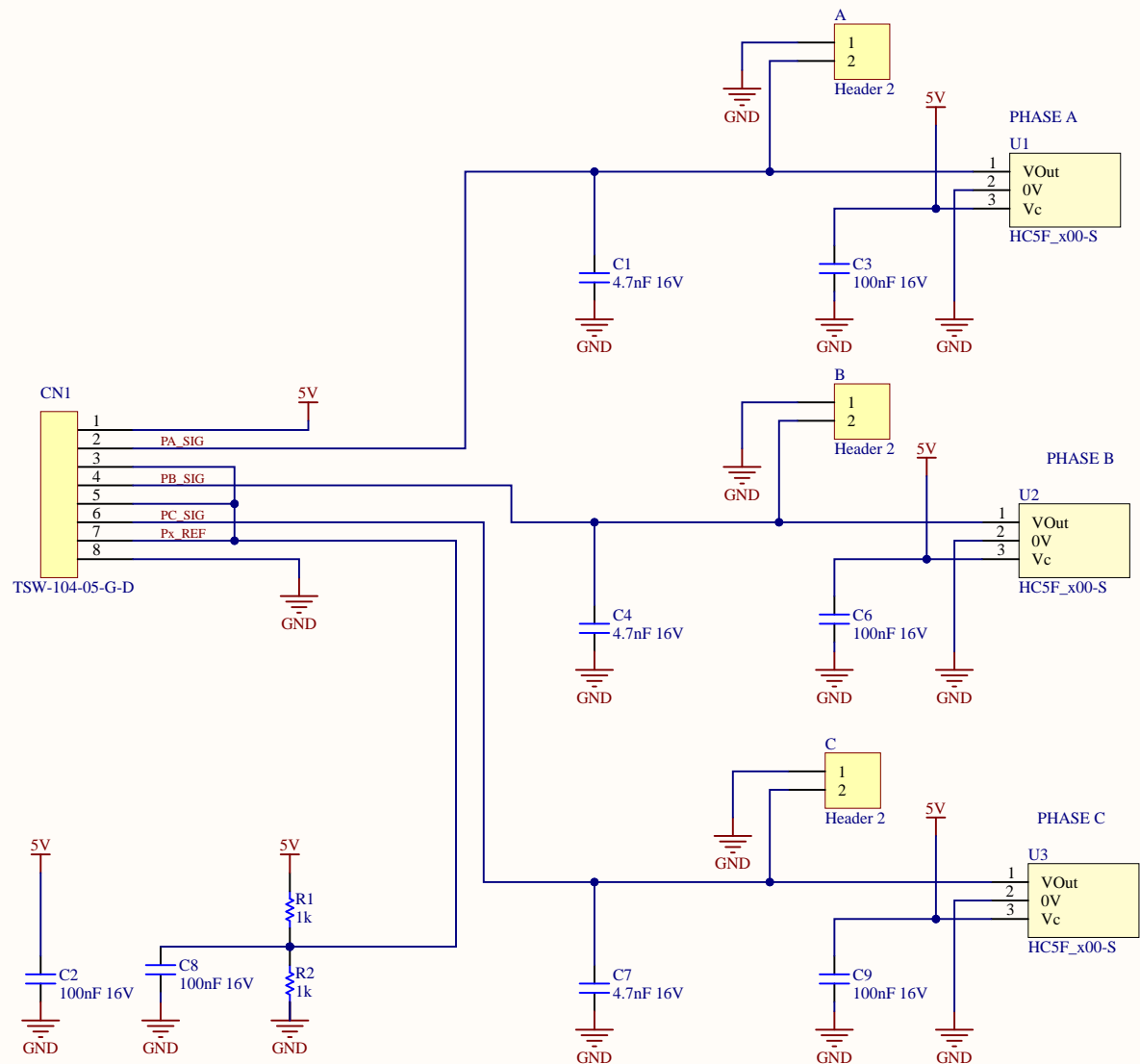



R00_210202
For LEM HCSF



Title: MTPA_420_CurrentSense		 Prototypes
Sheet: 1 of 1	Author: RT	
PN: CurrentSense	Modified: 17/01/2022	
Revision: 00	Checked: RT	
	Dated: 08/03/21	
© PX Prototypes Ltd 2022 - Proprietary and Confidential		

Description	Designator	Quantity	Price	Supplier	Value	Manufacturer	Package	Manufacturer PN	Supplier PN
Header, 2-Pin	A, B, C	3							
Capacitor	C1, C4, C7	3			4.7nF 16V		0603		
Capacitor	C2, C3, C6, C8, C9	5			100nF 16V		0603		
2x4 Male Header	CN1	1				Samtec	TH	TSW-104-05-G-D	
Resistor	R1, R2	2			1k		0603		
LEM Current Transducer Obsolete	U1, U2, U3	3				LEM		HC5F_x00-S	HC5F_x00-S