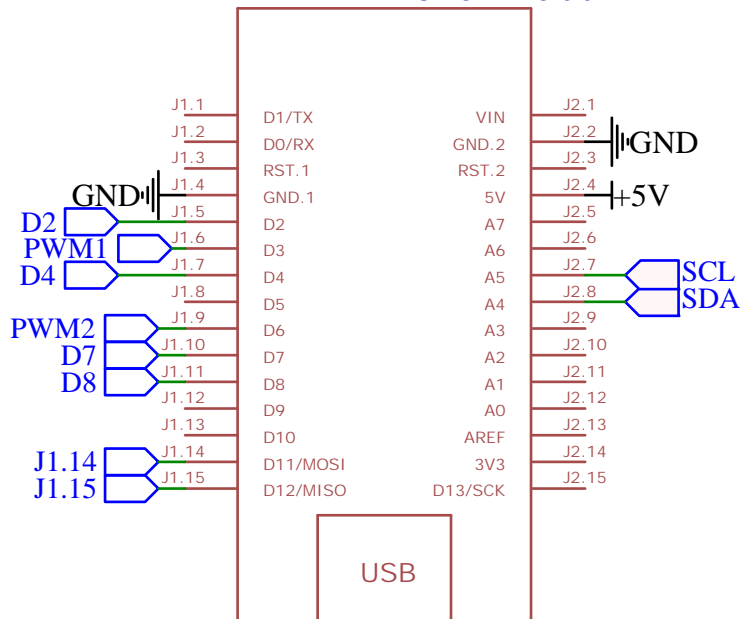


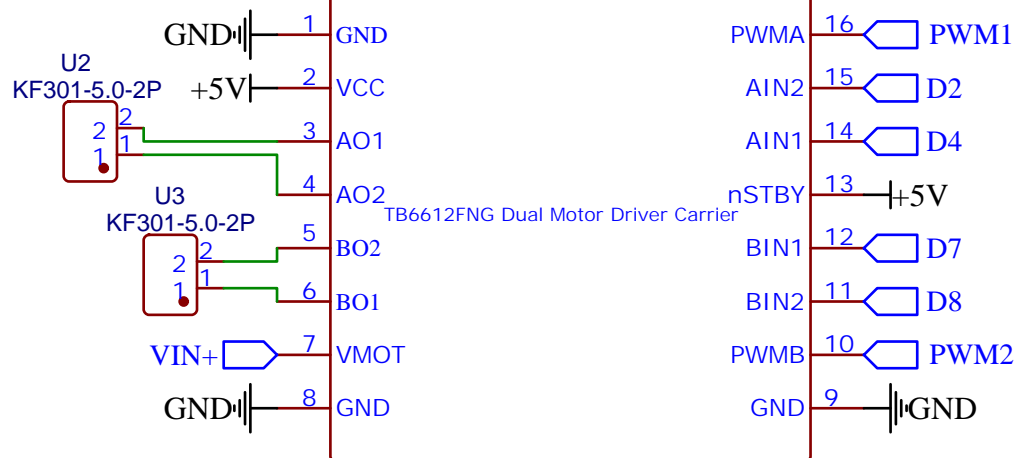
NANO

M1
ARDUINO-NANO-3.0



DRIVER

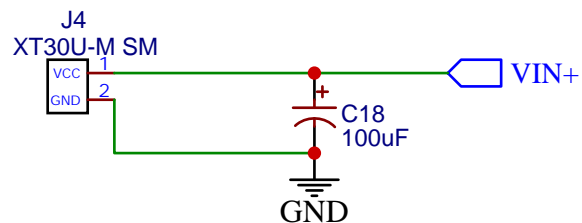
U1
TB6612FNG Dual Motor Driver Carrier



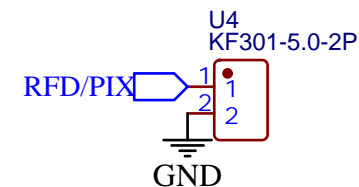
INPUTS



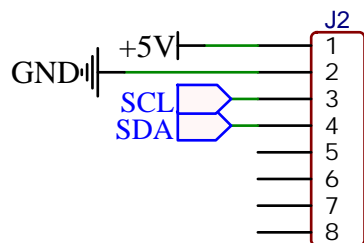
LIPO



PIX/RFD



IMU



TITLE:

Mounted PCB

REV: 1.0

EasyEDA

Company: Personal

Sheet: 1/1

Date: 2021-12-18

Drawn By: ahmet_hamdicecik