

jessefarrell92@gmail.com

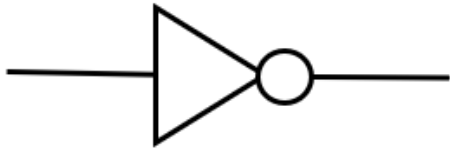
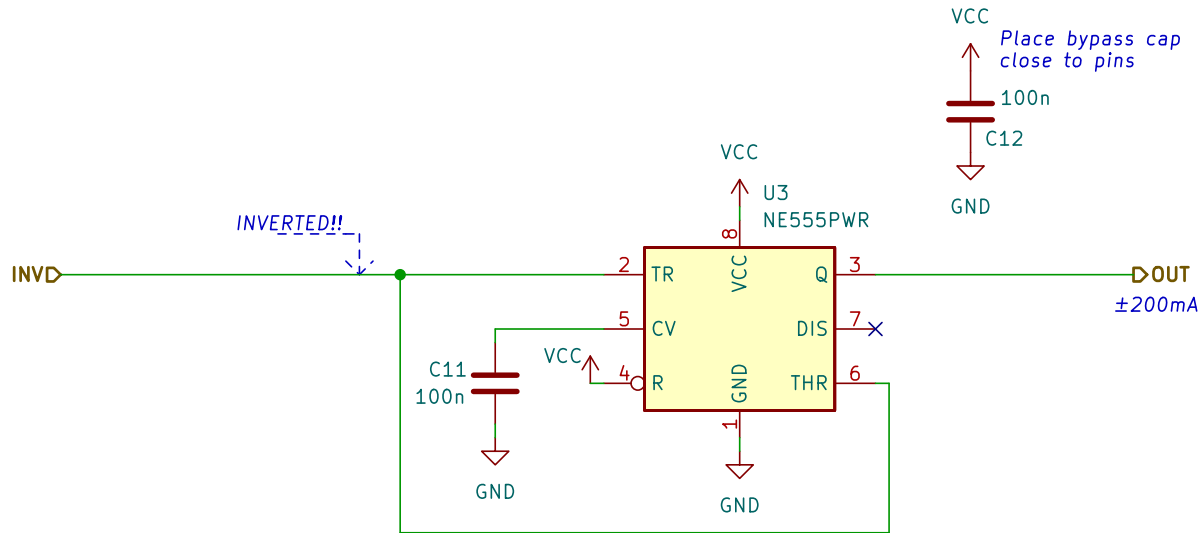
Sheet: /  
File: Buzzer.kicad\_sch

**Title: 555 Buzzer Trigger**

Size: User      Date: 2022-05-13  
KiCad E.D.A. kicad (6.0.5)

**Rev: 1**  
Id: 1/2

# 555 NOT Gate



jessefarrell92@gmail.com  
Single 555 not gate

Sheet: /NOT/  
File: block\_555inverter.kicad\_sch

**Title: 555 NOT Gate**

Size: A5 Date: 2022-05-04

Rev: 0

KiCad E.D.A. kicad (6.0.5)

Id: 2/2