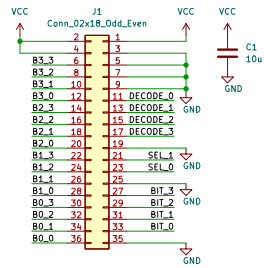
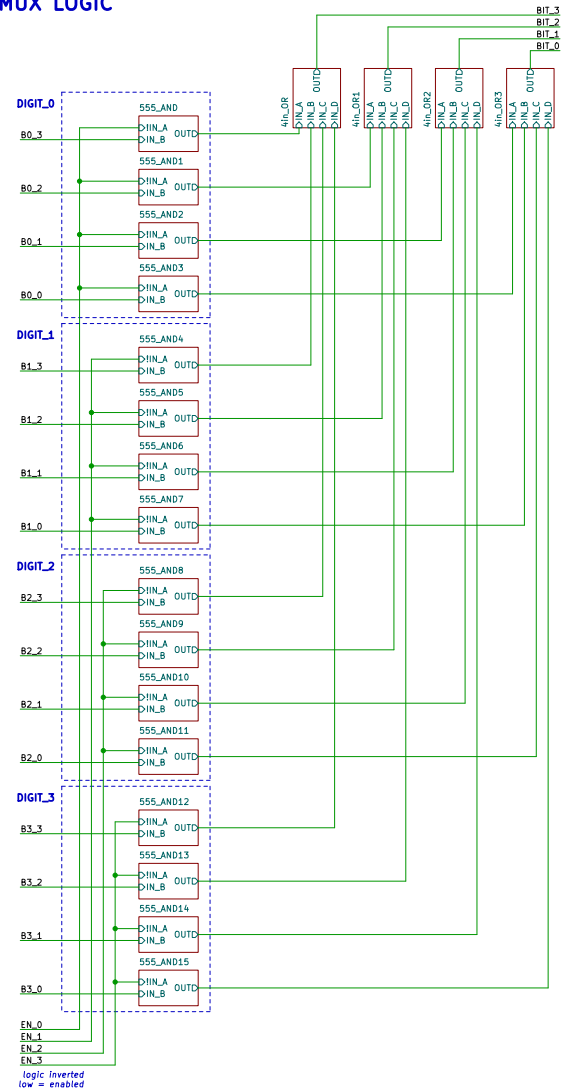


555 MUX

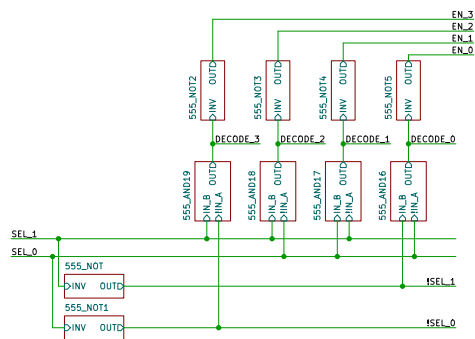
HEADER I/O (+PWR)



MUX LOGIC



MUX Decoder



jessefarrell92@gmail.com

Sheet: /

File: MUX.kicad_sch

Title: 555 MUX

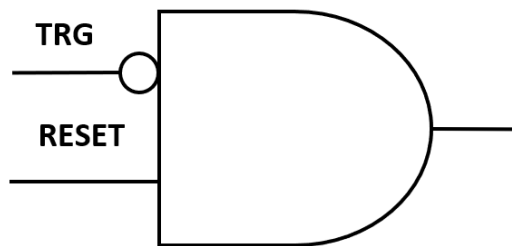
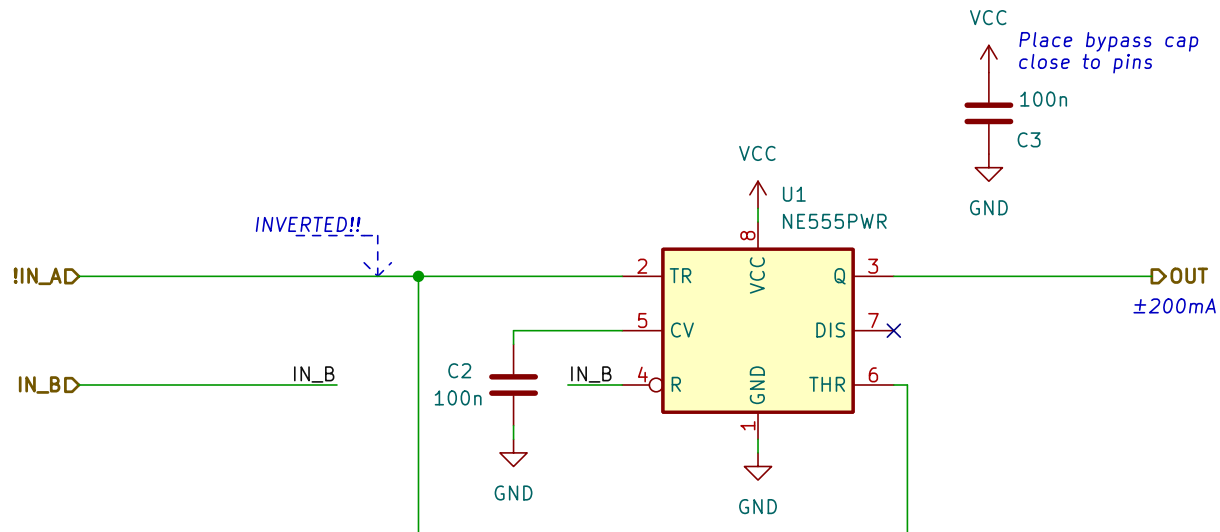
Size: User Date: 2022-05-13

KiCad E.D.A. kicad (6.0.5)

Rev: 0

Id: 1/31

555 AND Gate (inv. input)



jessefarrell92@gmail.com
 AND gate based on a single 555, note inverting input

Sheet: /555_AND/
 File: 555AND.kicad_sch

Title: Single 555 AND Gate

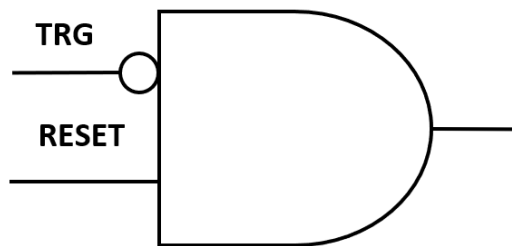
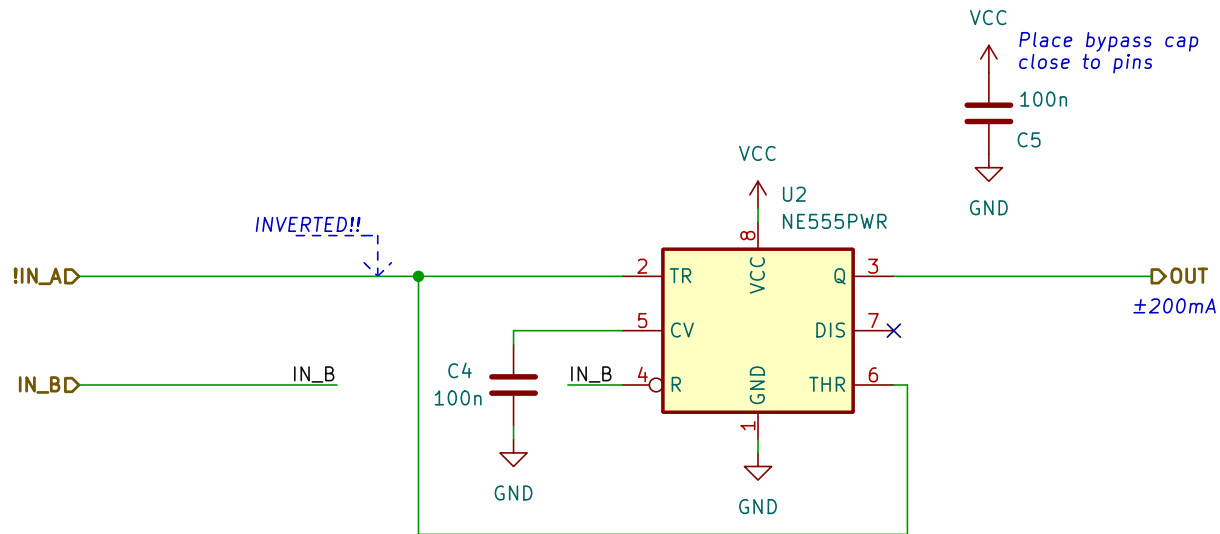
Size: A5 Date: 2022-05-04

Rev: 0

KiCad E.D.A. kicad (6.0.5)

Id: 2/31

555 AND Gate (inv. input)



jessefarrell92@gmail.com
 AND gate based on a single 555, note inverting input

Sheet: /555_AND1/
 File: 555AND.kicad_sch

Title: Single 555 AND Gate

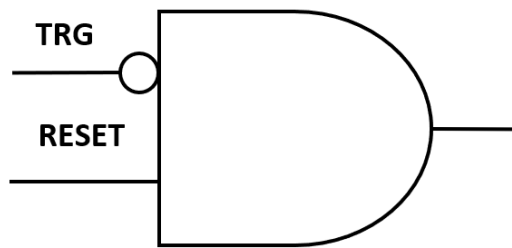
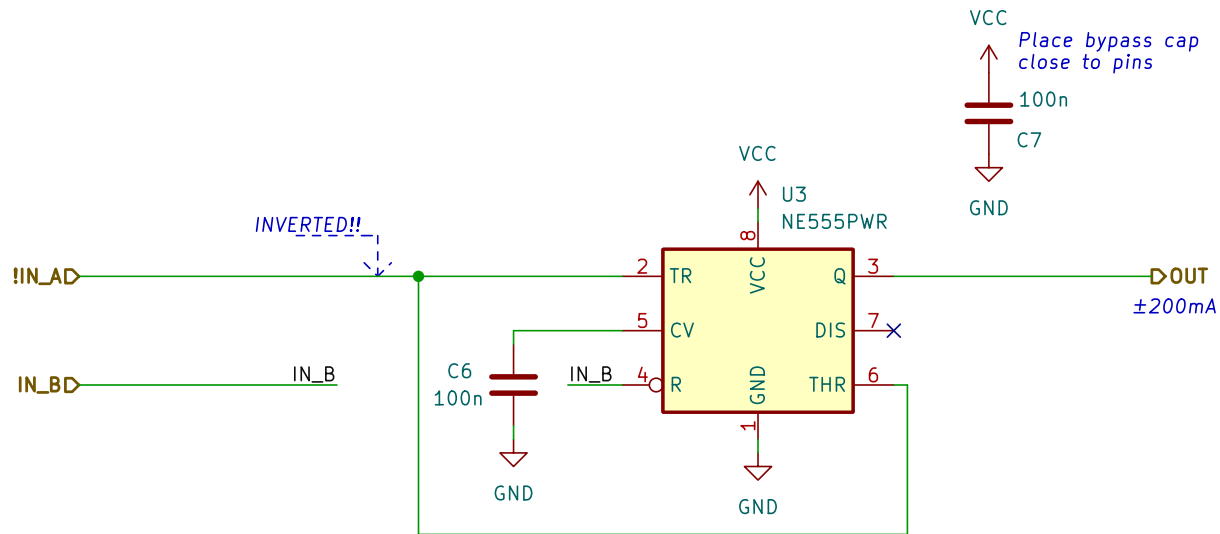
Size: A5 Date: 2022-05-04

Rev: 0

KiCad E.D.A. kicad (6.0.5)

Id: 3/31

555 AND Gate (inv. input)



jessefarrell92@gmail.com
 AND gate based on a single 555, note inverting input

Sheet: /555_AND2/
 File: 555AND.kicad_sch

Title: Single 555 AND Gate

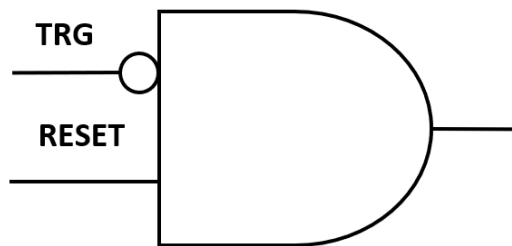
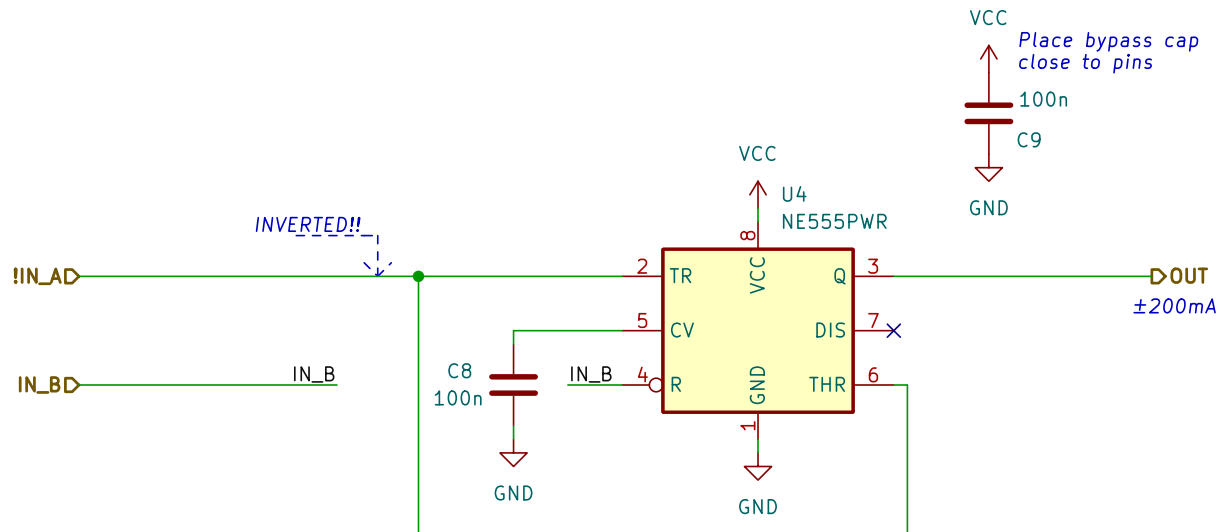
Size: A5 Date: 2022-05-04

Rev: 0

KiCad E.D.A. kicad (6.0.5)

Id: 4/31

555 AND Gate (inv. input)



jessefarrell92@gmail.com
 AND gate based on a single 555, note inverting input

Sheet: /555_AND3/
 File: 555AND.kicad_sch

Title: Single 555 AND Gate

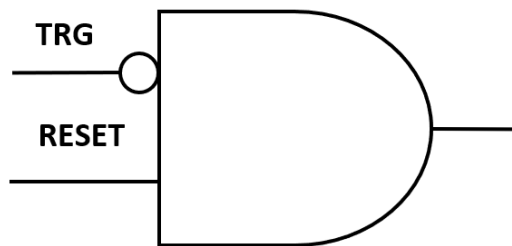
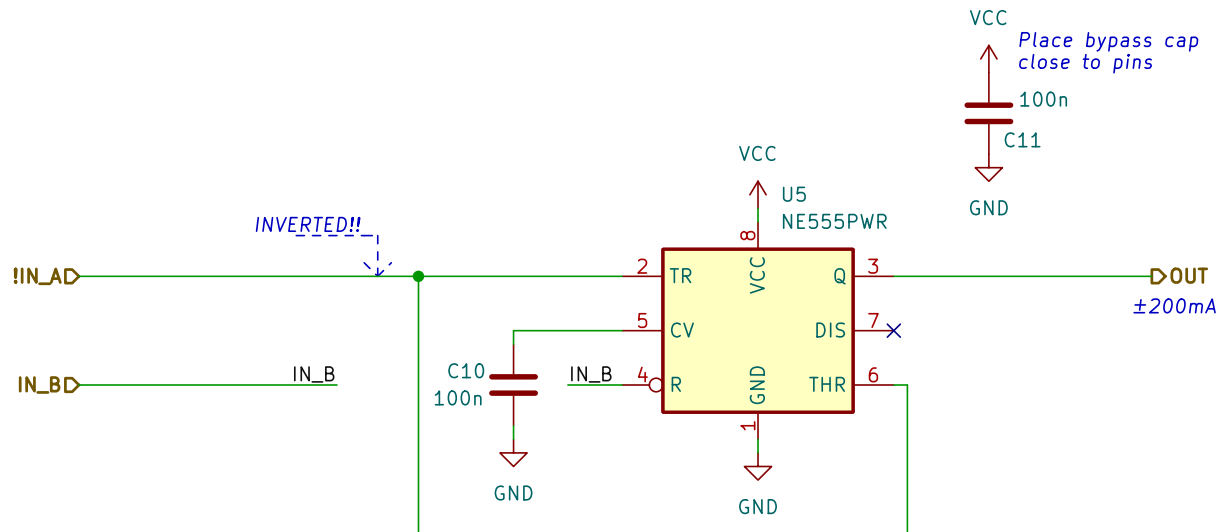
Size: A5 Date: 2022-05-04

Rev: 0

KiCad E.D.A. kicad (6.0.5)

Id: 5/31

555 AND Gate (inv. input)



jessefarrell92@gmail.com
 AND gate based on a single 555, note inverting input

Sheet: /555_AND7/
 File: 555AND.kicad_sch

Title: Single 555 AND Gate

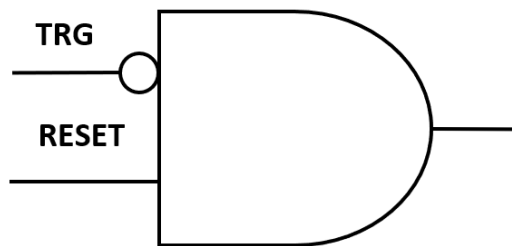
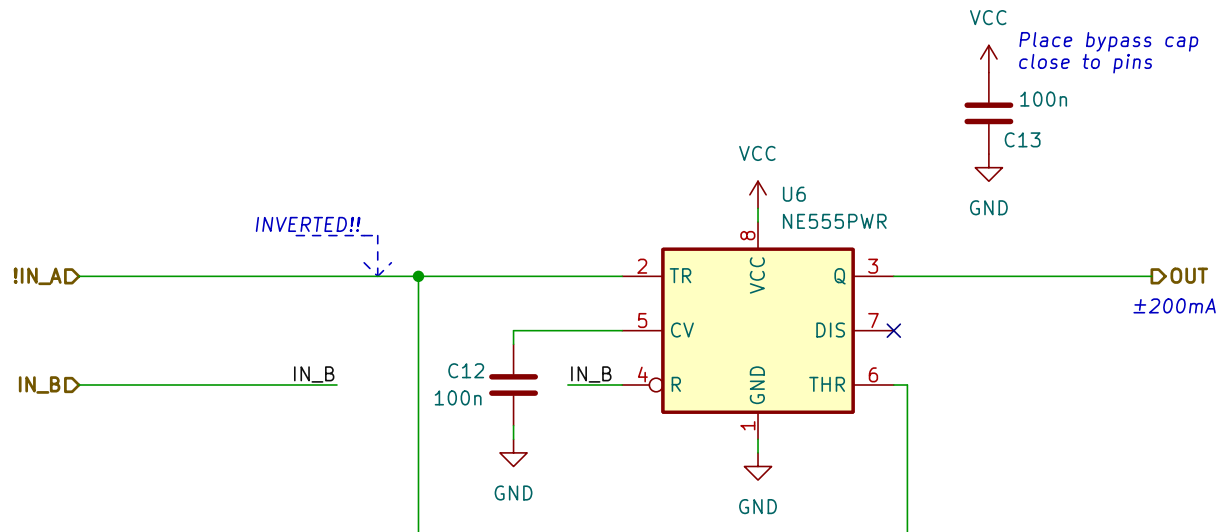
Size: A5 Date: 2022-05-04

Rev: 0

KiCad E.D.A. kicad (6.0.5)

Id: 6/31

555 AND Gate (inv. input)



jessefarrell92@gmail.com
 AND gate based on a single 555, note inverting input

Sheet: /555_AND5/
 File: 555AND.kicad_sch

Title: Single 555 AND Gate

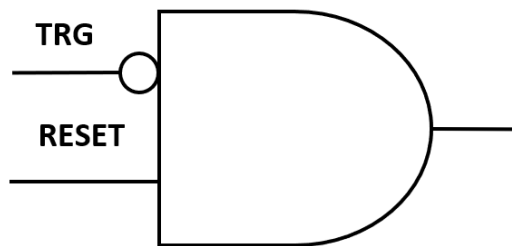
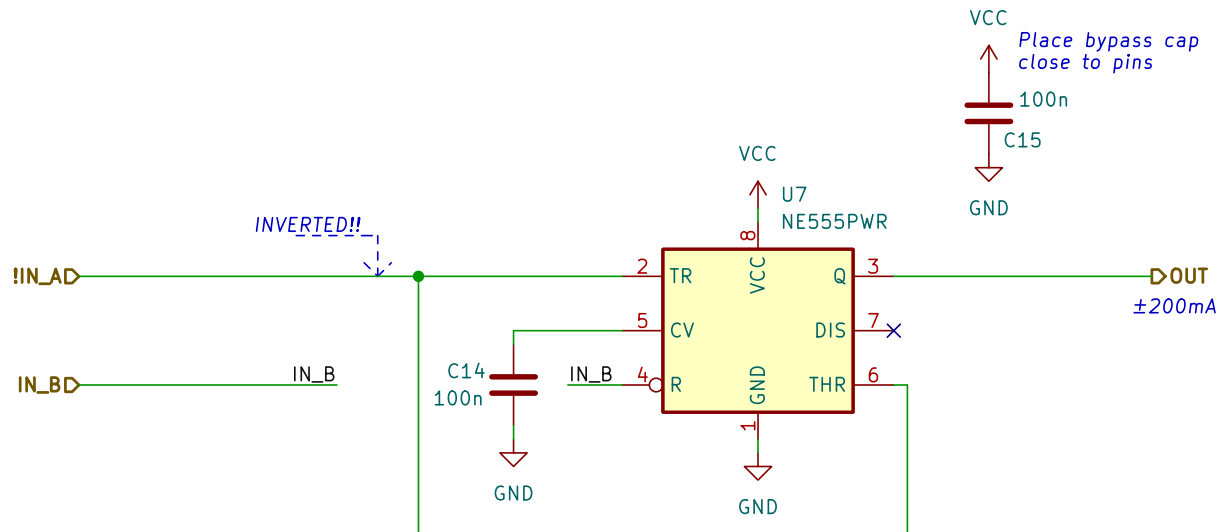
Size: A5 Date: 2022-05-04

Rev: 0

KiCad E.D.A. kicad (6.0.5)

Id: 7/31

555 AND Gate (inv. input)



jessefarrell92@gmail.com
 AND gate based on a single 555, note inverting input

Sheet: /555_AND4/
 File: 555AND.kicad_sch

Title: Single 555 AND Gate

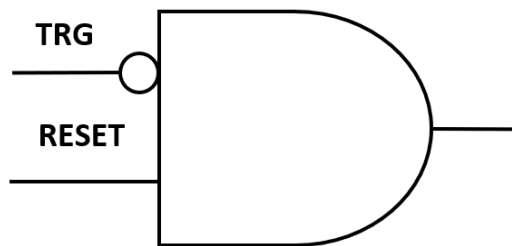
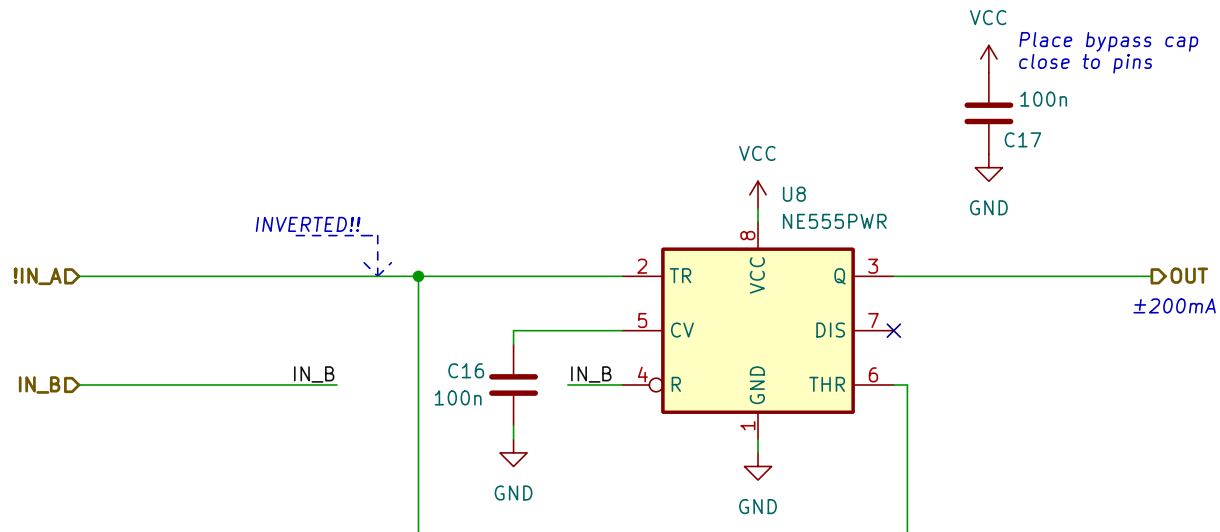
Size: A5 Date: 2022-05-04

Rev: 0

KiCad E.D.A. kicad (6.0.5)

Id: 8/31

555 AND Gate (inv. input)



jessefarrell92@gmail.com
AND gate based on a single 555, note inverting input

Sheet: /555_AND6/
File: 555AND.kicad_sch

Title: Single 555 AND Gate

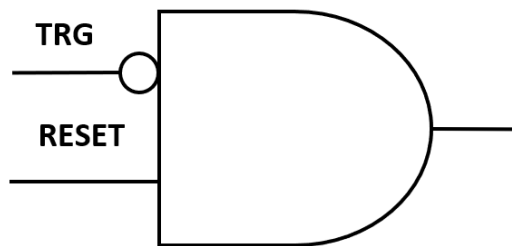
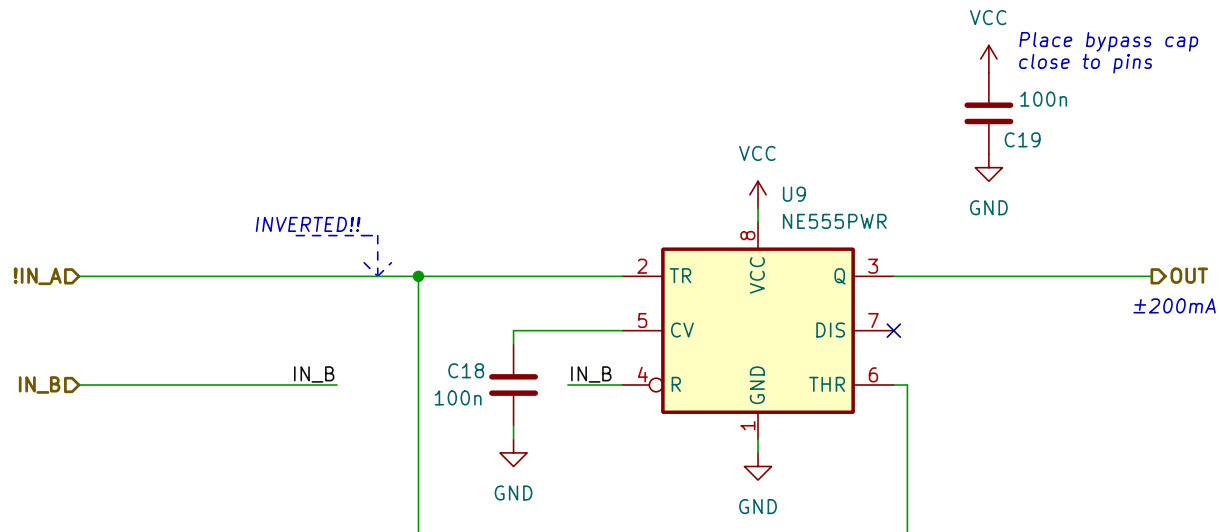
Size: A5 Date: 2022-05-04

Rev: 0

KiCad E.D.A. kicad (6.0.5)

Id: 9/31

555 AND Gate (inv. input)



jessefarrell92@gmail.com
 AND gate based on a single 555, note inverting input

Sheet: /555_AND13/
 File: 555AND.kicad_sch

Title: Single 555 AND Gate

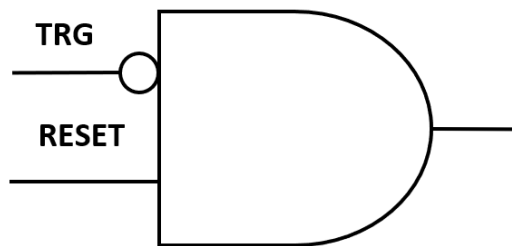
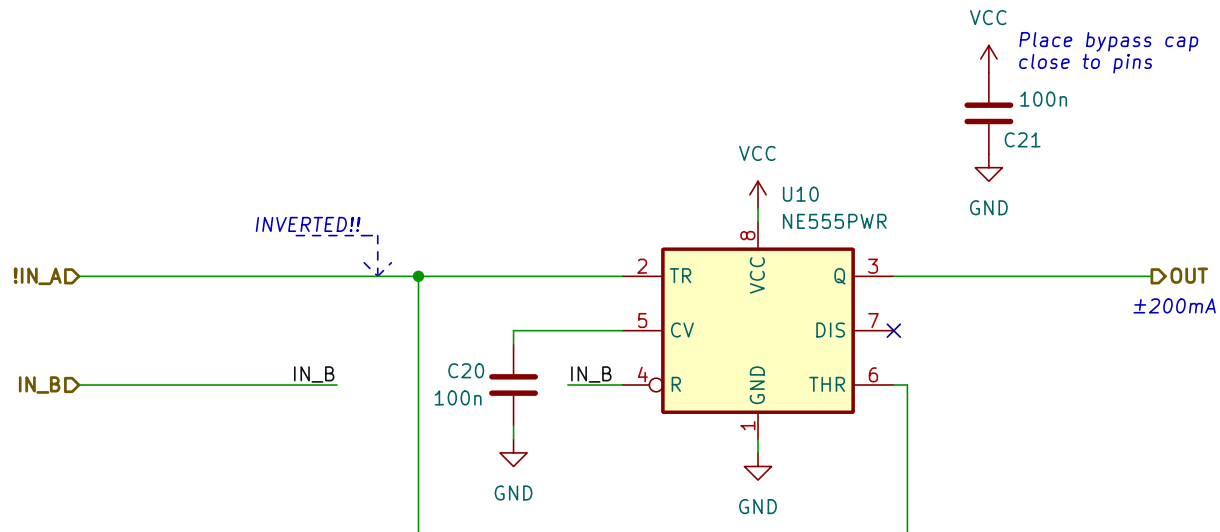
Size: A5 Date: 2022-05-04

Rev: 0

KiCad E.D.A. kicad (6.0.5)

Id: 10/31

555 AND Gate (inv. input)



jessefarrell92@gmail.com
AND gate based on a single 555, note inverting input

Sheet: /555_AND12/
File: 555AND.kicad_sch

Title: Single 555 AND Gate

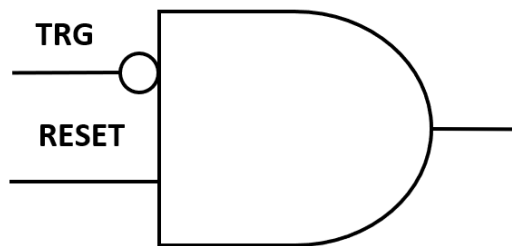
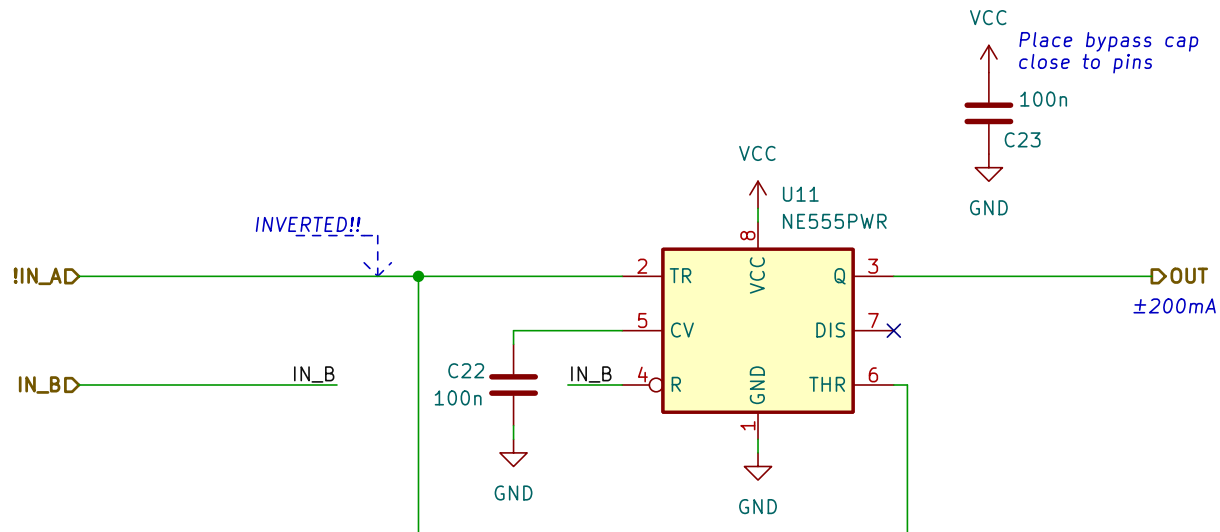
Size: A5 Date: 2022-05-04

Rev: 0

KiCad E.D.A. kicad (6.0.5)

Id: 11/31

555 AND Gate (inv. input)



jessefarrell92@gmail.com
AND gate based on a single 555, note inverting input

Sheet: /555_AND8/
File: 555AND.kicad_sch

Title: Single 555 AND Gate

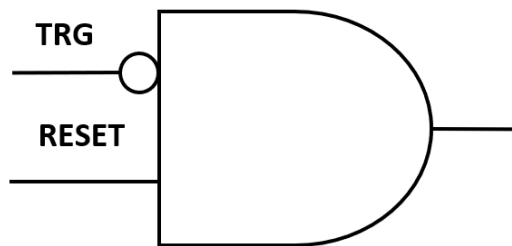
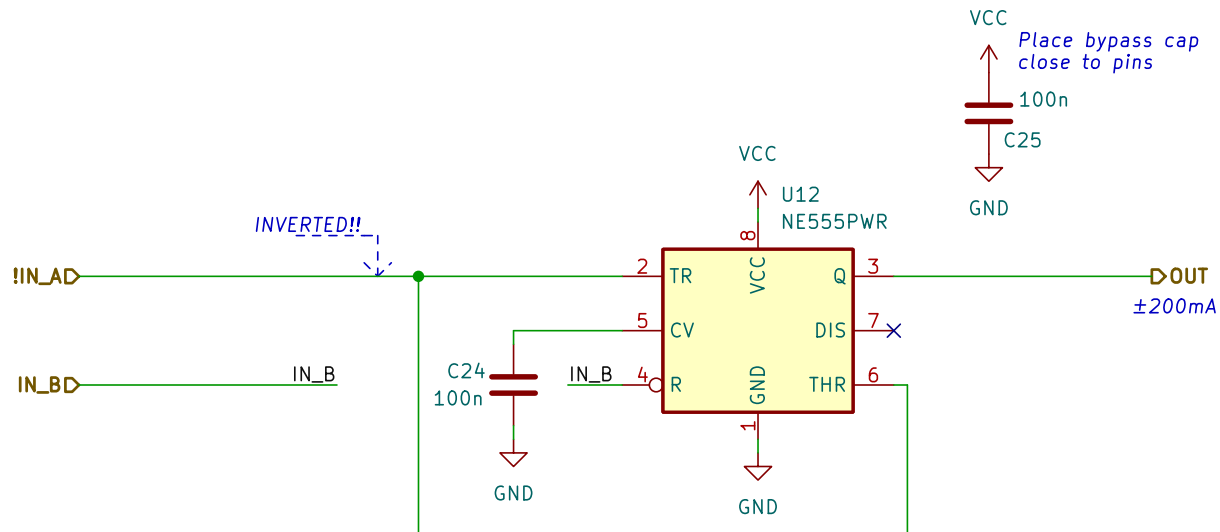
Size: A5 Date: 2022-05-04

Rev: 0

KiCad E.D.A. kicad (6.0.5)

Id: 12/31

555 AND Gate (inv. input)



jessefarrell92@gmail.com
AND gate based on a single 555, note inverting input

Sheet: /555_AND9/
File: 555AND.kicad_sch

Title: Single 555 AND Gate

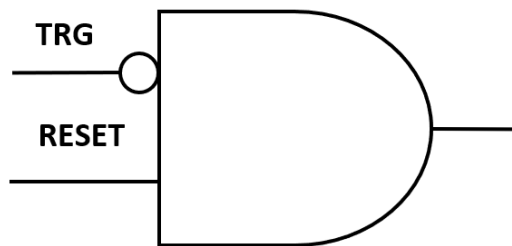
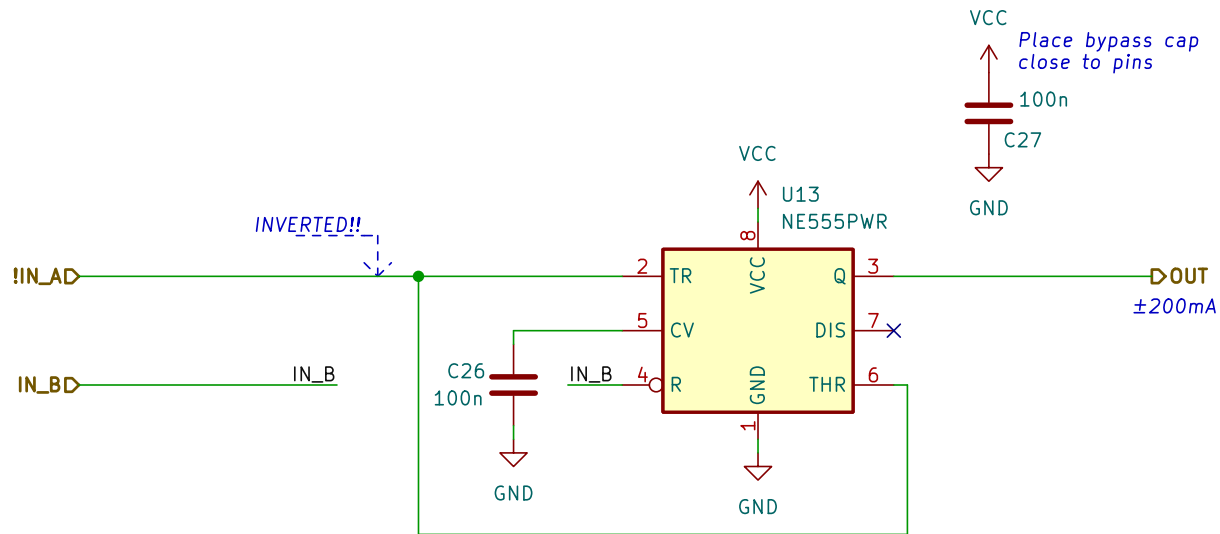
Size: A5 Date: 2022-05-04

Rev: 0

KiCad E.D.A. kicad (6.0.5)

Id: 13/31

555 AND Gate (inv. input)



jessefarrell92@gmail.com
 AND gate based on a single 555, note inverting input

Sheet: /555_AND14/
 File: 555AND.kicad_sch

Title: Single 555 AND Gate

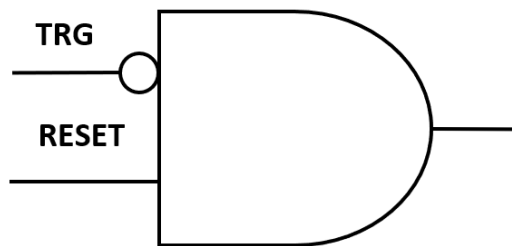
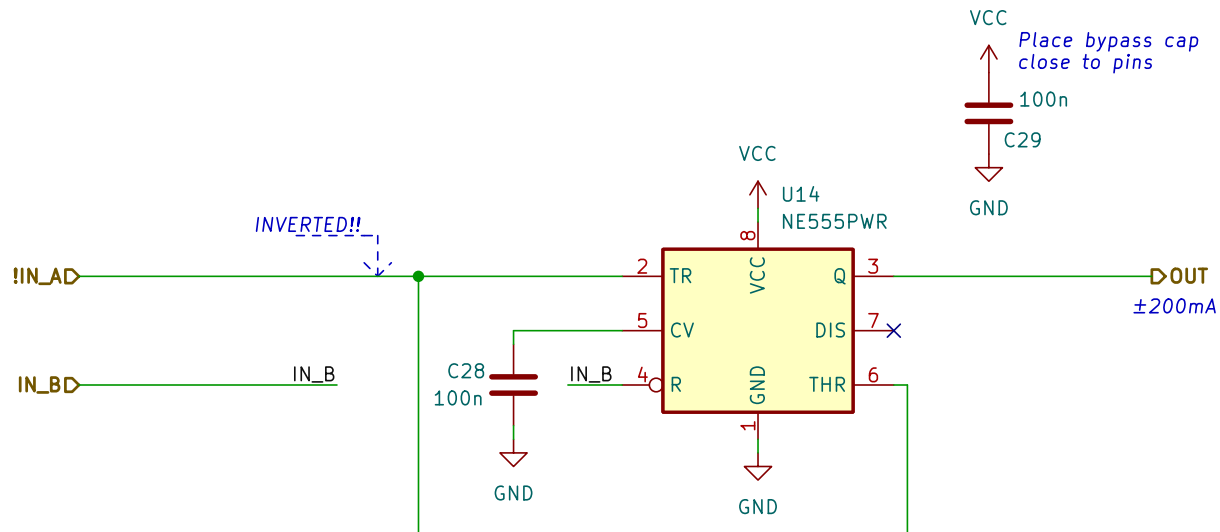
Size: A5 Date: 2022-05-04

Rev: 0

KiCad E.D.A. kicad (6.0.5)

Id: 14/31

555 AND Gate (inv. input)



jessefarrell92@gmail.com
 AND gate based on a single 555, note inverting input

Sheet: /555_AND11/
 File: 555AND.kicad_sch

Title: Single 555 AND Gate

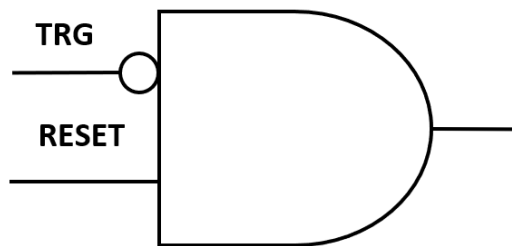
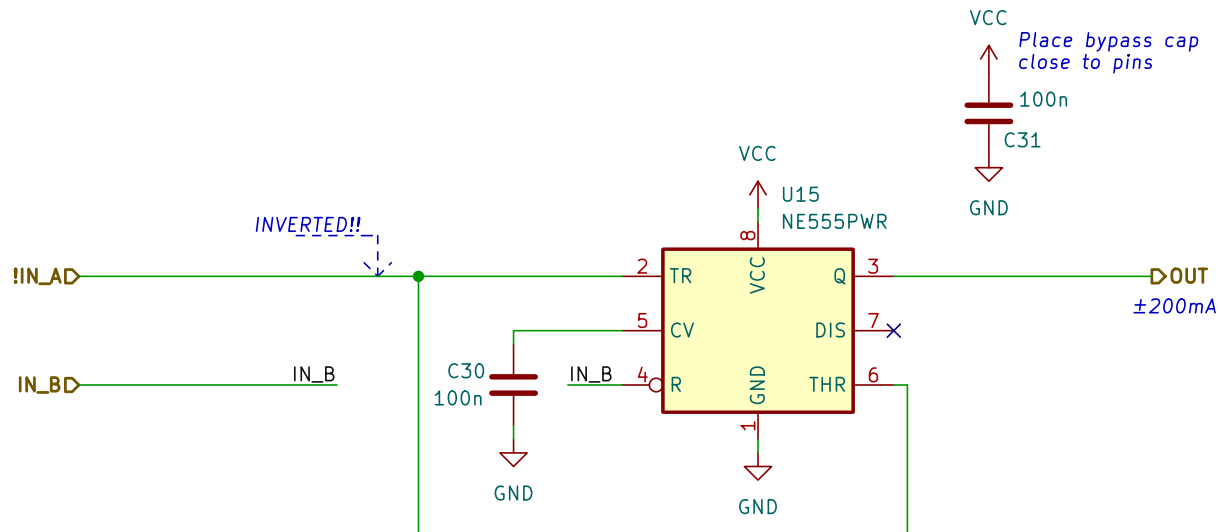
Size: A5 Date: 2022-05-04

Rev: 0

KiCad E.D.A. kicad (6.0.5)

Id: 15/31

555 AND Gate (inv. input)



jessefarrell92@gmail.com
 AND gate based on a single 555, note inverting input

Sheet: /555_AND10/
 File: 555AND.kicad_sch

Title: Single 555 AND Gate

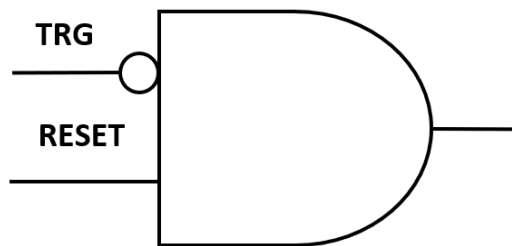
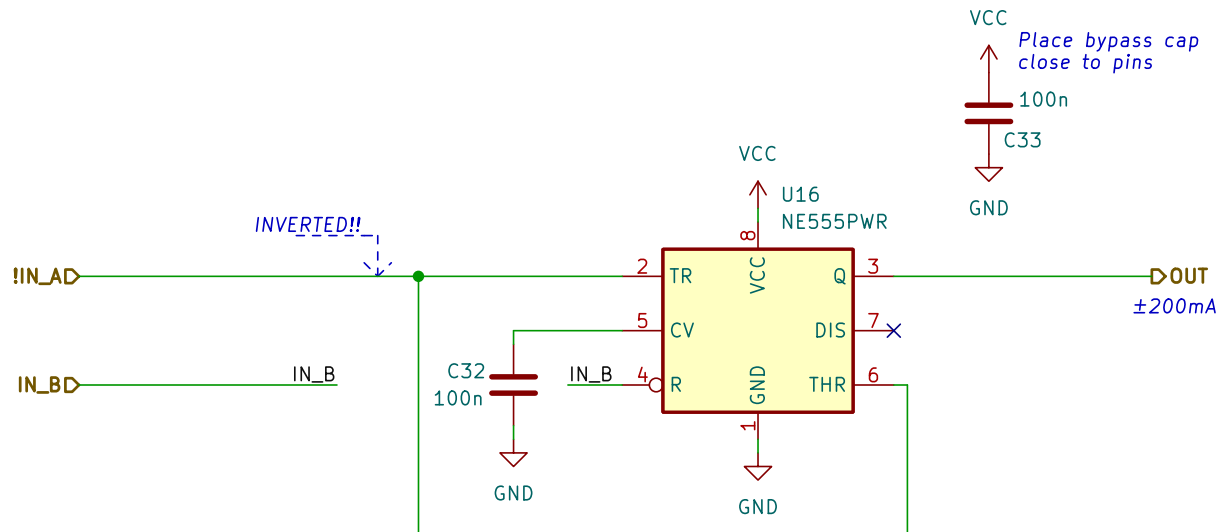
Size: A5 Date: 2022-05-04

Rev: 0

KiCad E.D.A. kicad (6.0.5)

Id: 16/31

555 AND Gate (inv. input)



jessefarrell92@gmail.com
 AND gate based on a single 555, note inverting input

Sheet: /555_AND15/
 File: 555AND.kicad_sch

Title: Single 555 AND Gate

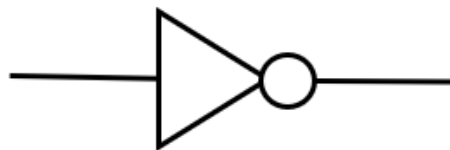
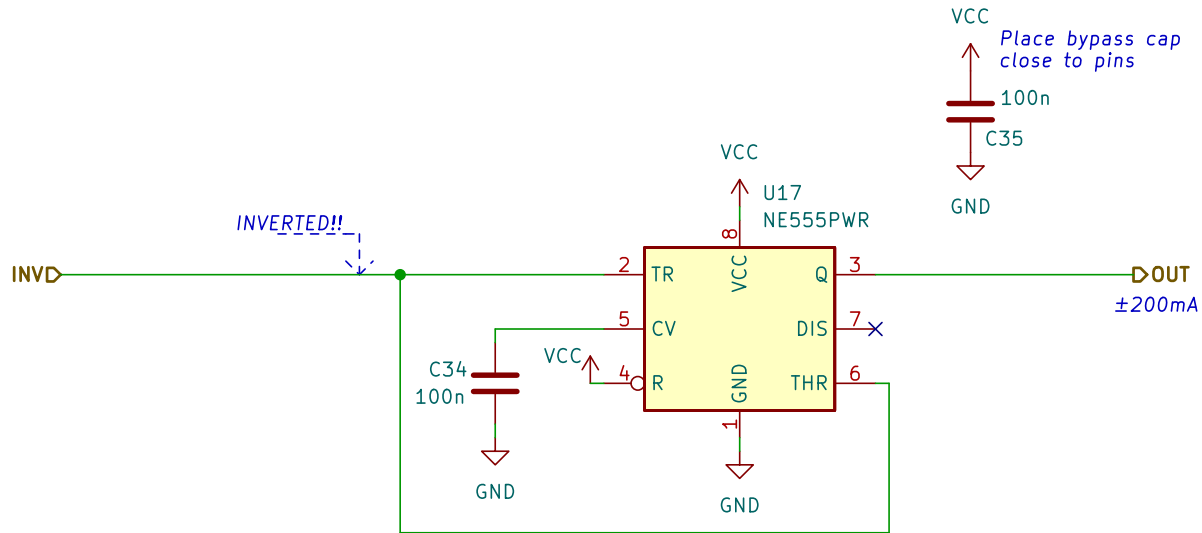
Size: A5 Date: 2022-05-04

Rev: 0

KiCad E.D.A. kicad (6.0.5)

Id: 17/31

555 NOT Gate



jessefarrell92@gmail.com
Single 555 not gate

Sheet: /555_NOT/
File: 555inverter.kicad_sch

Title: 555 NOT Gate

Size: A5

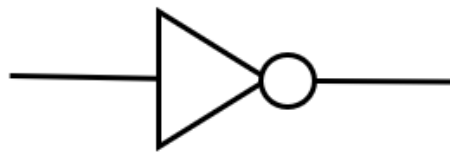
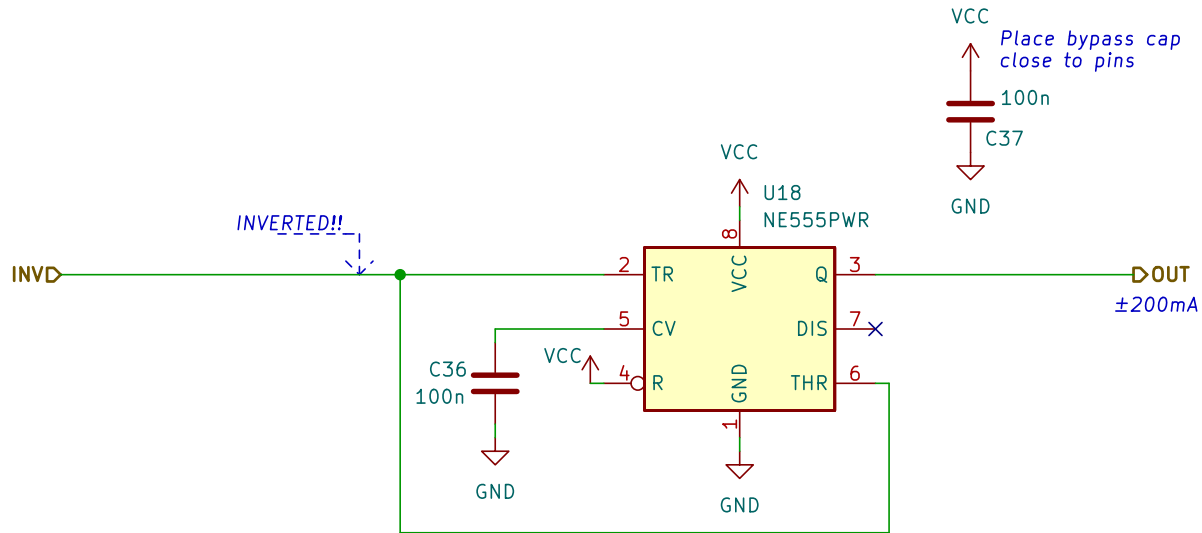
Date: 2022-05-04

Rev: 0

KiCad E.D.A. kicad (6.0.5)

Id: 18/31

555 NOT Gate



jessefarrell92@gmail.com
Single 555 not gate

Sheet: /555_NOT1/
File: 555inverter.kicad_sch

Title: 555 NOT Gate

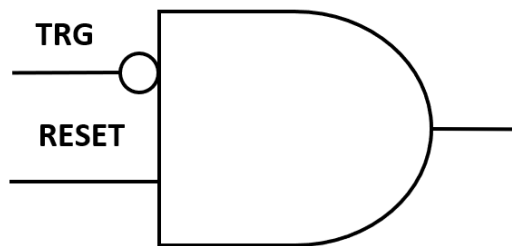
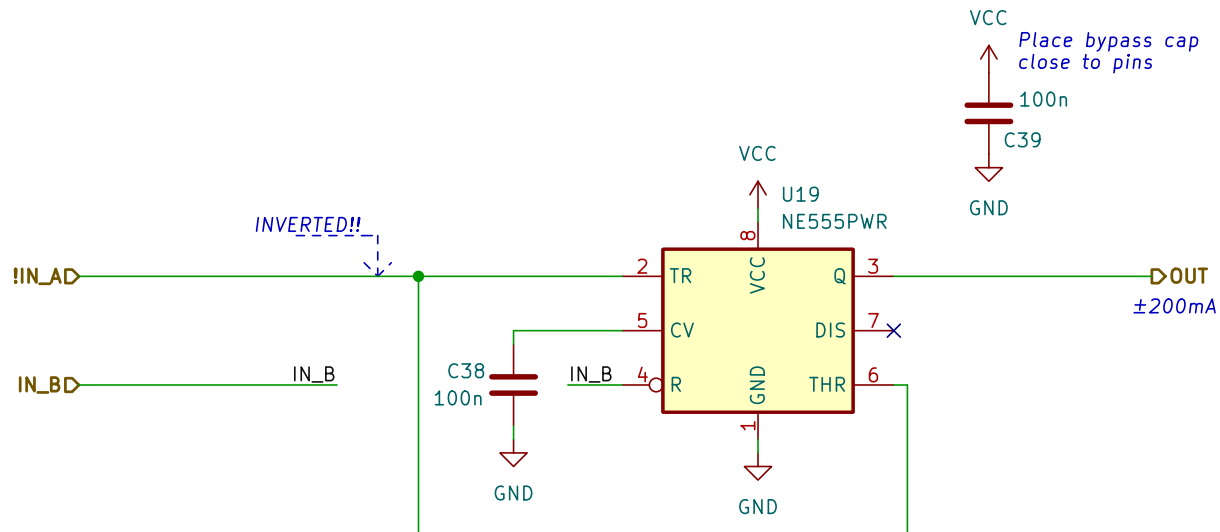
Size: A5 Date: 2022-05-04

Rev: 0

KiCad E.D.A. kicad (6.0.5)

Id: 19/31

555 AND Gate (inv. input)



jessefarrell92@gmail.com
 AND gate based on a single 555, note inverting input

Sheet: /555_AND16/
 File: 555AND.kicad_sch

Title: Single 555 AND Gate

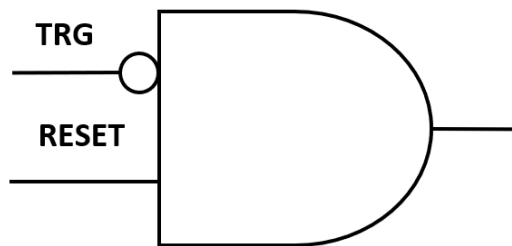
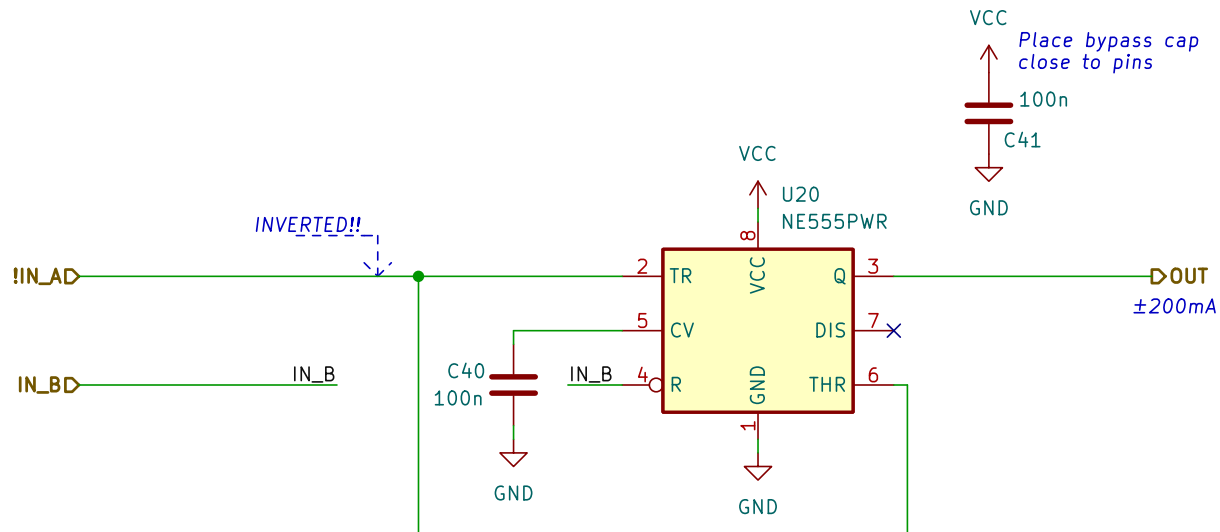
Size: A5 Date: 2022-05-04

Rev: 0

KiCad E.D.A. kicad (6.0.5)

Id: 20/31

555 AND Gate (inv. input)



jessefarrell92@gmail.com
AND gate based on a single 555, note inverting input

Sheet: /555_AND17/
File: 555AND.kicad_sch

Title: Single 555 AND Gate

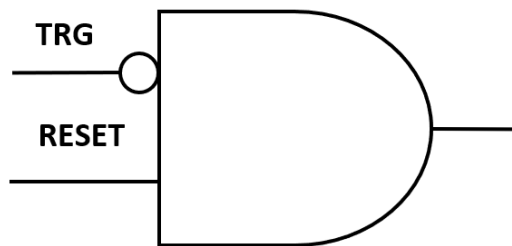
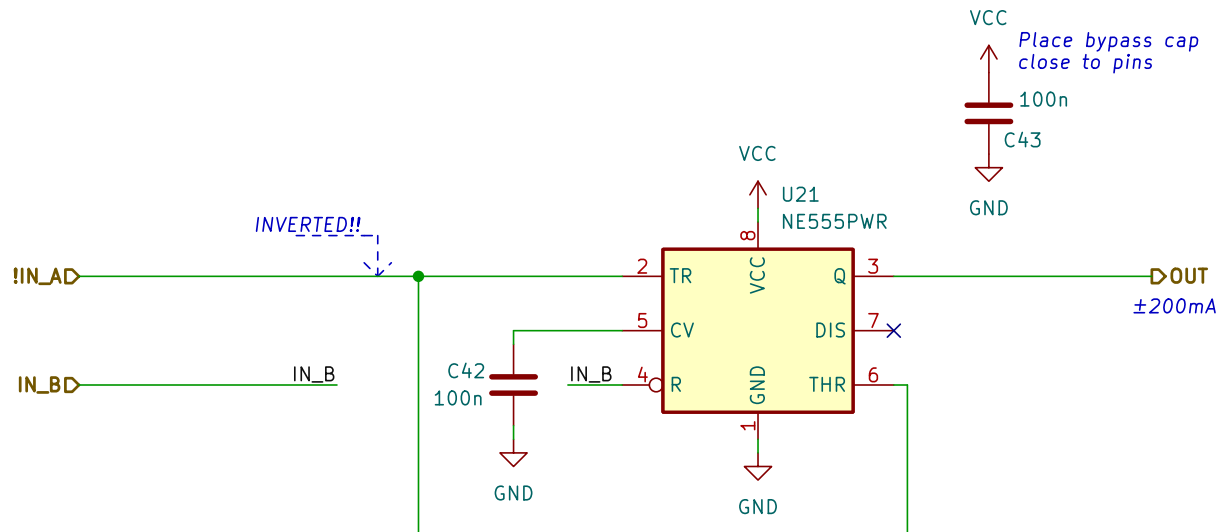
Size: A5 Date: 2022-05-04

Rev: 0

KiCad E.D.A. kicad (6.0.5)

Id: 21/31

555 AND Gate (inv. input)



jessefarrell92@gmail.com
AND gate based on a single 555, note inverting input

Sheet: /555_AND18/
File: 555AND.kicad_sch

Title: Single 555 AND Gate

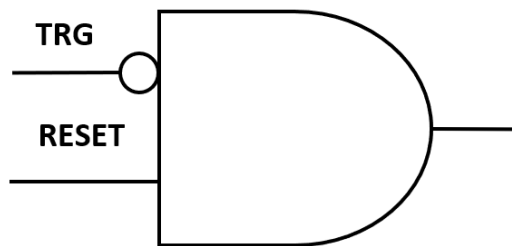
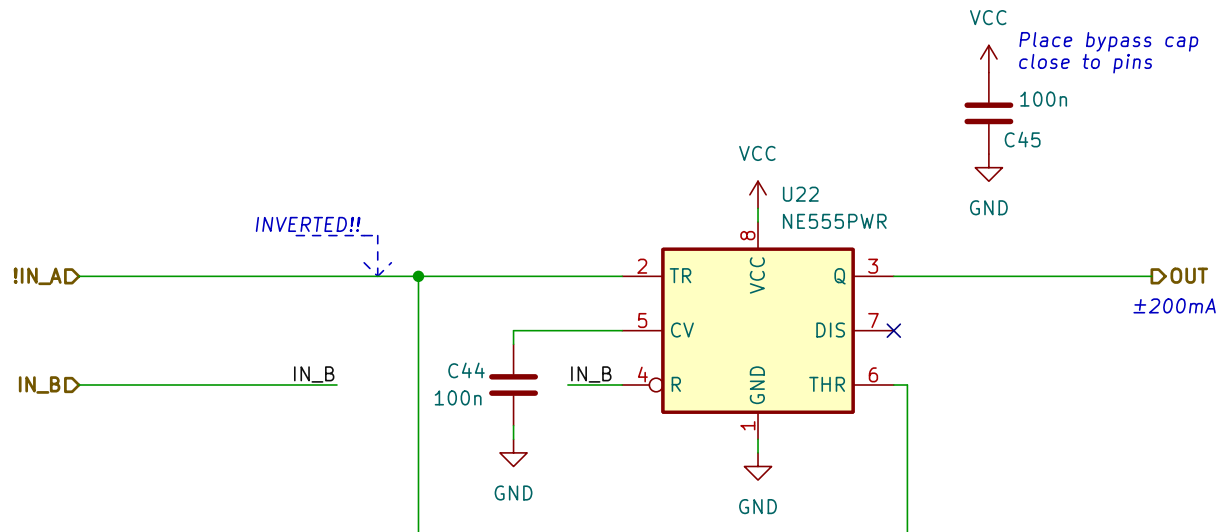
Size: A5 Date: 2022-05-04

KiCad E.D.A. kicad (6.0.5)

Rev: 0

Id: 22/31

555 AND Gate (inv. input)



jessefarrell92@gmail.com
 AND gate based on a single 555, note inverting input

Sheet: /555_AND19/
 File: 555AND.kicad_sch

Title: Single 555 AND Gate

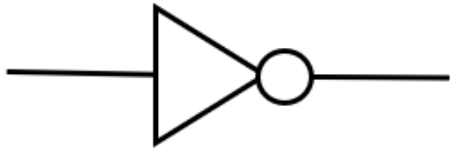
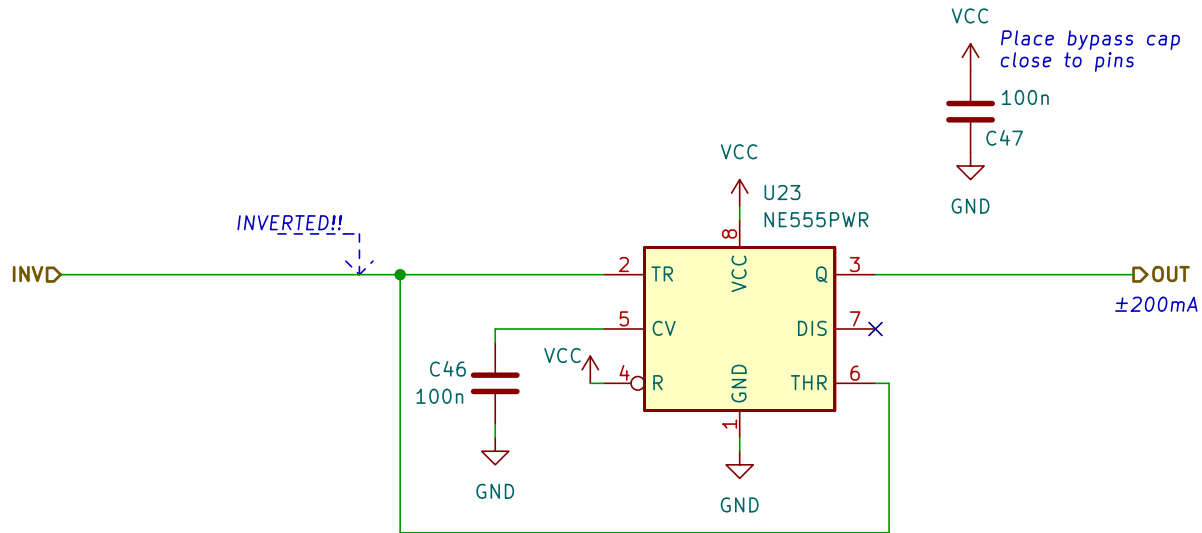
Size: A5 Date: 2022-05-04

Rev: 0

KiCad E.D.A. kicad (6.0.5)

Id: 23/31

555 NOT Gate



jessefarrell92@gmail.com
Single 555 not gate

Sheet: /555_NOT2/
File: 555inverter.kicad_sch

Title: 555 NOT Gate

Size: A5

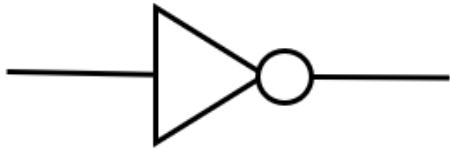
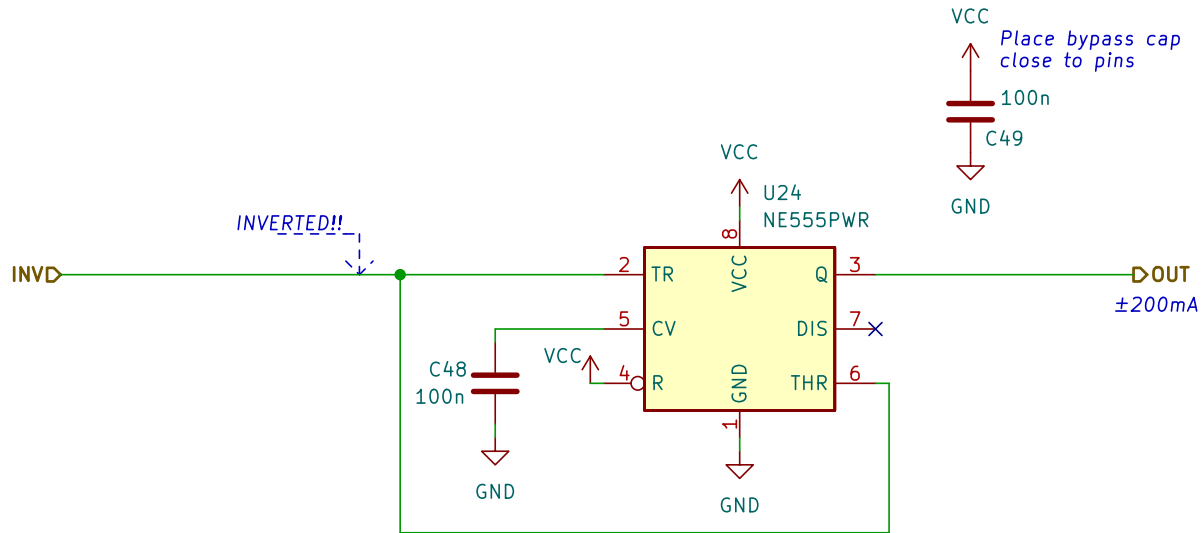
Date: 2022-05-04

Rev: 0

KiCad E.D.A. kicad (6.0.5)

Id: 24/31

555 NOT Gate



jessefarrell92@gmail.com
Single 555 not gate

Sheet: /555_NOT3/
File: 555inverter.kicad_sch

Title: 555 NOT Gate

Size: A5

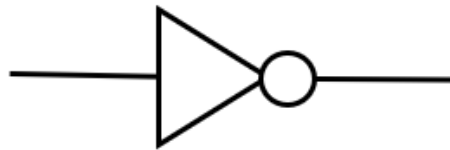
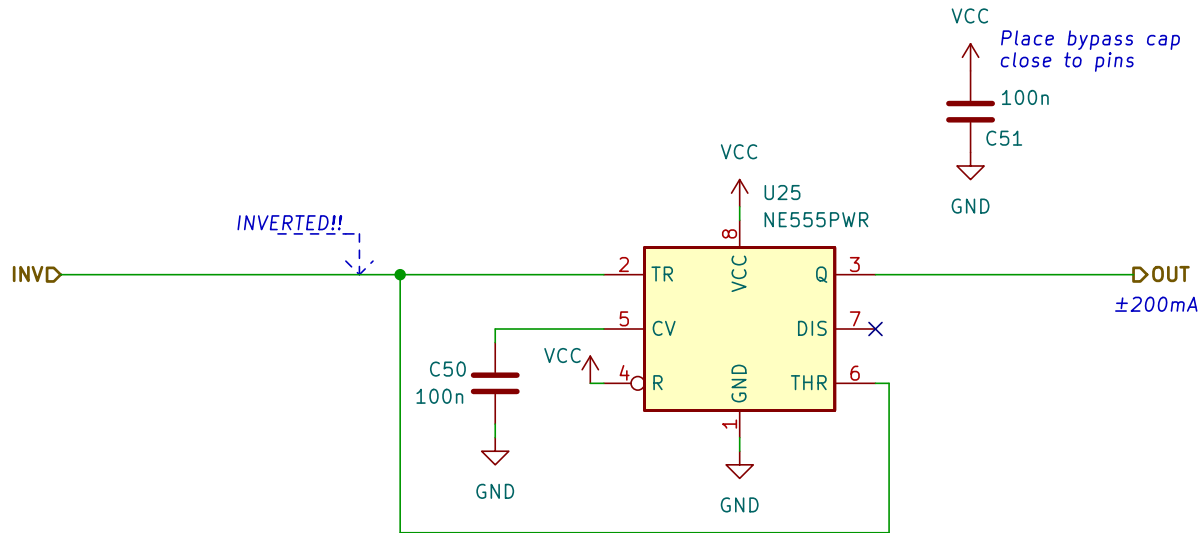
Date: 2022-05-04

Rev: 0

KiCad E.D.A. kicad (6.0.5)

Id: 25/31

555 NOT Gate



jessefarrell92@gmail.com
Single 555 not gate

Sheet: /555_NOT4/
File: 555inverter.kicad_sch

Title: 555 NOT Gate

Size: A5

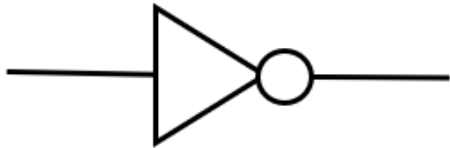
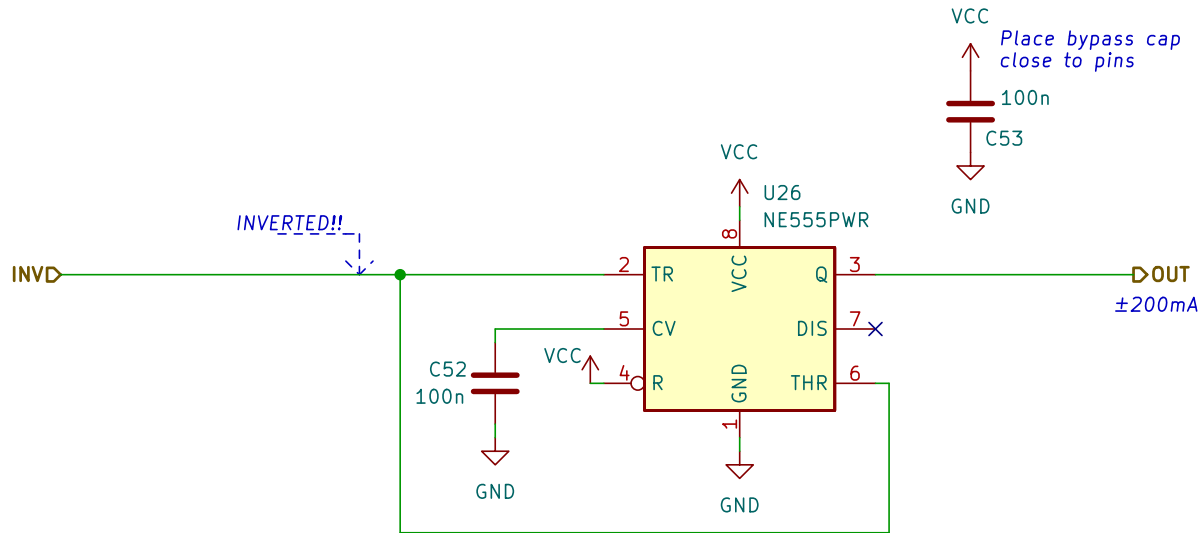
Date: 2022-05-04

Rev: 0

KiCad E.D.A. kicad (6.0.5)

Id: 26/31

555 NOT Gate



jessefarrell92@gmail.com
Single 555 not gate

Sheet: /555_NOT5/
File: 555inverter.kicad_sch

Title: 555 NOT Gate

Size: A5

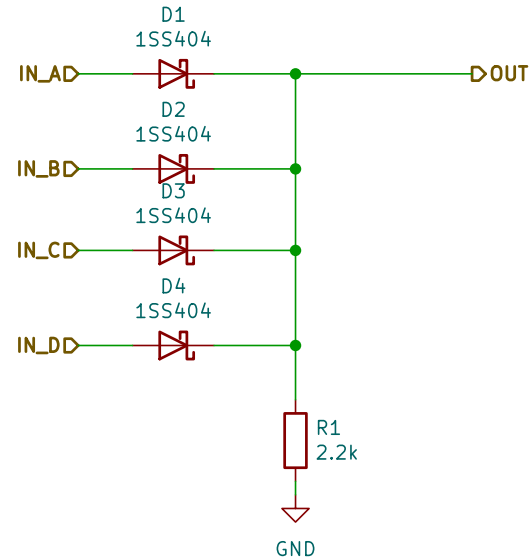
Date: 2022-05-04

Rev: 0

KiCad E.D.A. kicad (6.0.5)

Id: 27/31

OR Gate



This is a diode based OR block. Implementing this using 555's is somewhat wasteful hence using diodes here. Note that we cannot cascade too many of these blocks due to IR losses

jessefarrell92@gmail.com

Sheet: /4in_OR1/
File: Diode4inOR.kicad_sch

Title: 4 Input OR Gate

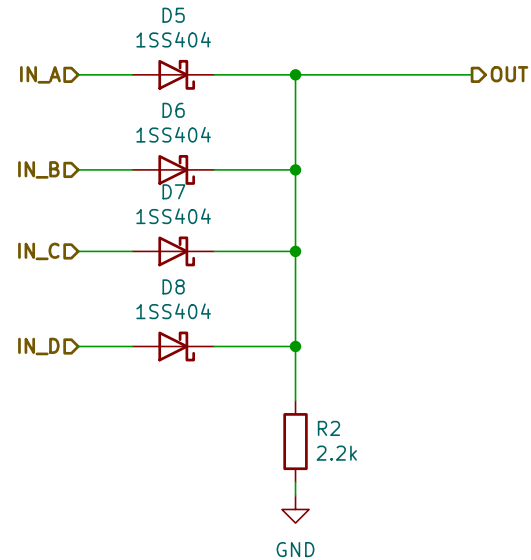
Size: A5 Date: 2022-05-04

Rev: 0

KiCad E.D.A. kicad (6.0.5)

Id: 28/31

OR Gate



jessefarrell92@gmail.com

Sheet: /4in_OR/
File: Diode4inOR.kicad_sch

Title: 4 Input OR Gate

Size: A5 Date: 2022-05-04

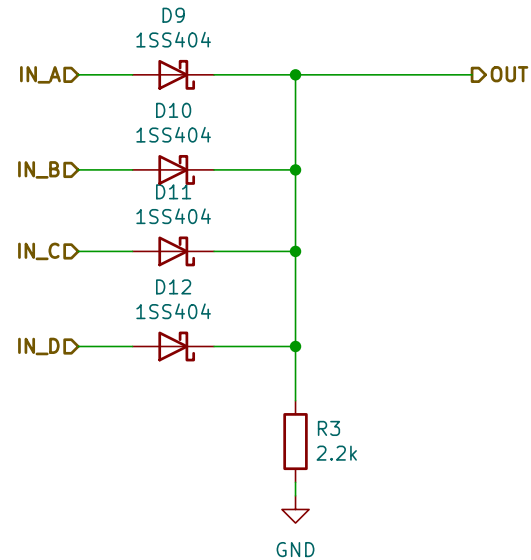
Rev: 0

KiCad E.D.A. kicad (6.0.5)

Id: 29/31

This is a diode based OR block. Implementing this using 555's is somewhat wasteful hence using diodes here. Note that we cannot cascade too many of these blocks due to IR losses

OR Gate



This is a diode based OR block. Implementing this using 555's is somewhat wasteful hence using diodes here. Note that we cannot cascade too many of these blocks due to IR losses

jessefarrell92@gmail.com

Sheet: /4in_OR2/
File: Diode4inOR.kicad_sch

Title: 4 Input OR Gate

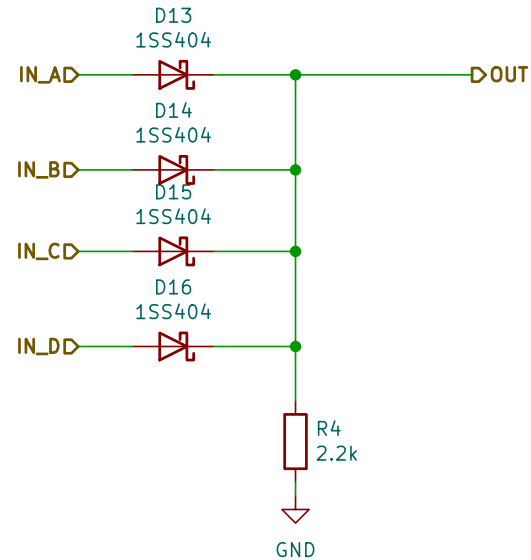
Size: A5 Date: 2022-05-04

Rev: 0

KiCad E.D.A. kicad (6.0.5)

Id: 30/31

OR Gate



This is a diode based OR block. Implementing this using 555's is somewhat wasteful hence using diodes here. Note that we cannot cascade too many of these blocks due to IR losses

jessefarrell92@gmail.com

Sheet: /4in_OR3/
File: Diode4inOR.kicad_sch

Title: 4 Input OR Gate

Size: A5 Date: 2022-05-04

Rev: 0

KiCad E.D.A. kicad (6.0.5)

Id: 31/31