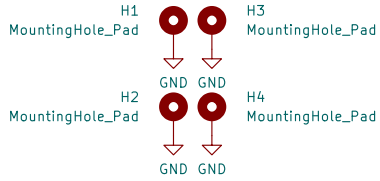
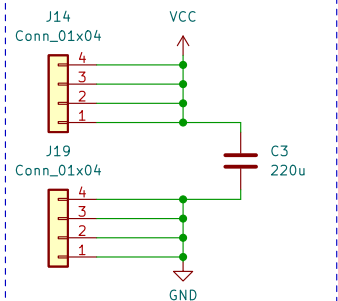


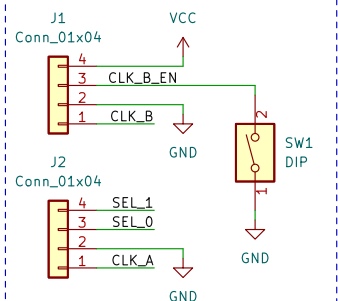
Main Board of 555 Project



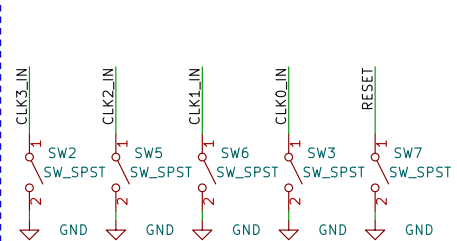
POWER



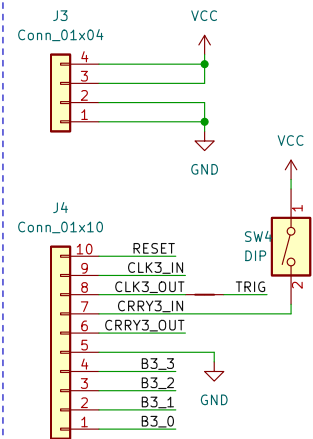
CLOCKS



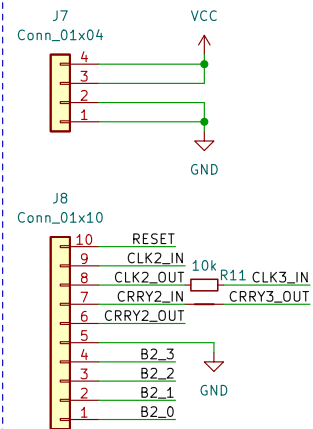
USER PUSH BUTTONS



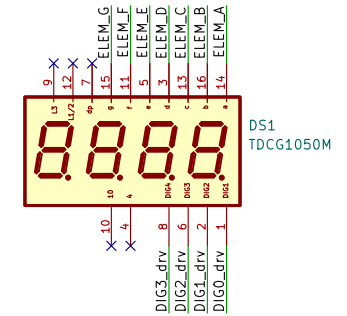
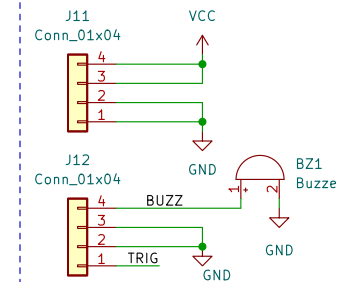
BCD COUNTER (Digit 3)



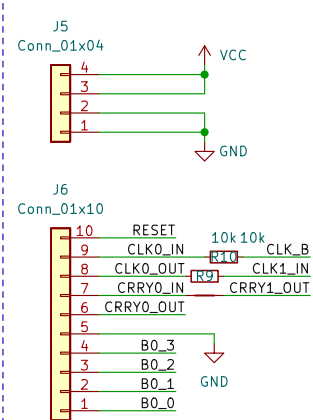
BCD COUNTER (Digit 2)



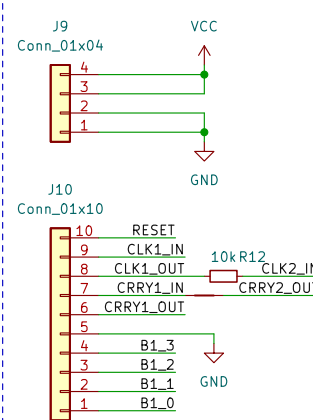
Buzzer



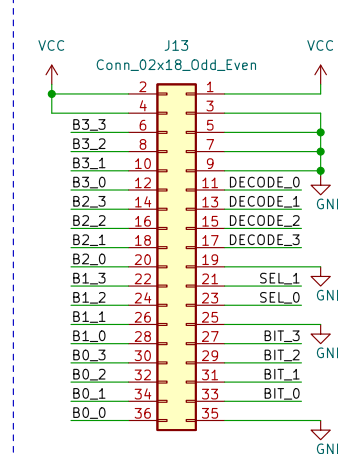
BCD COUNTER (Digit 0)



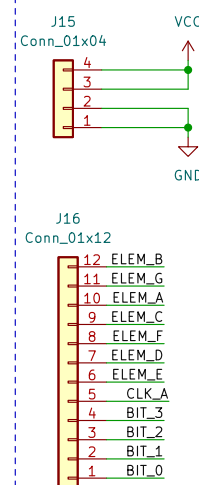
BCD COUNTER (Digit 1)



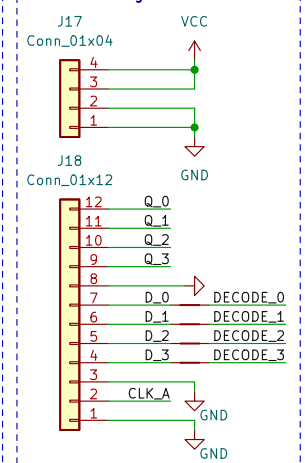
MUX



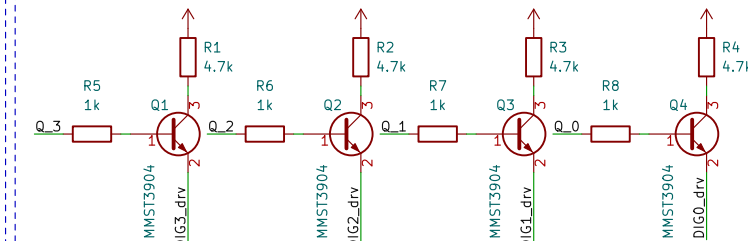
BCD_7SEG DECODER



4Bit Register



Display Drive



Main board acts as bus for all daughter boards in system.

jessefarrell92@gmail.com

Sheet: /

File: MainBoard.kicad_sch

Title: 555 Timer Main Board

Size: A4 Date: 2022-04-09

KiCad E.D.A. kicad (6.0.5)

Rev: 1

Id: 1/1