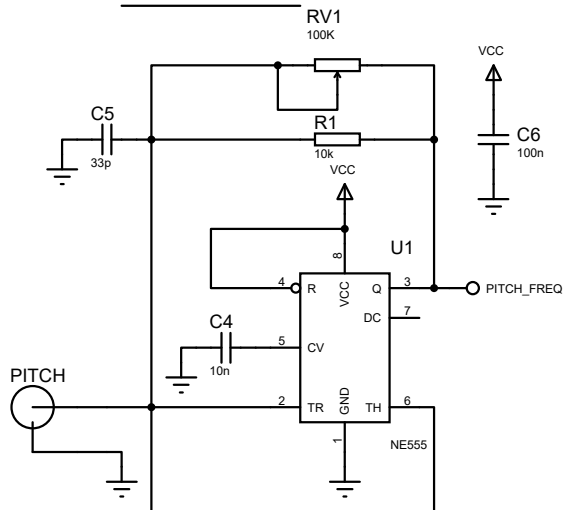
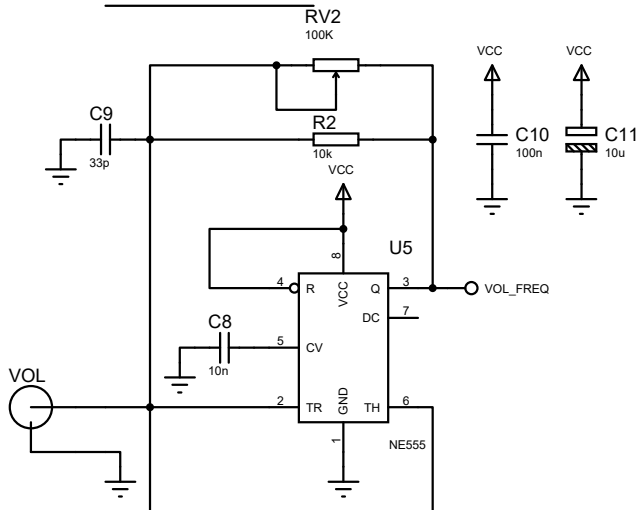


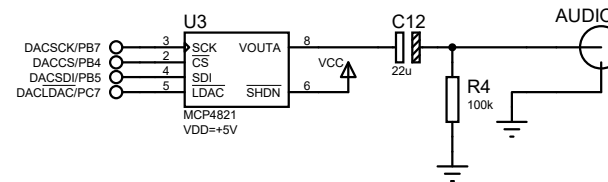
555 for PITCH



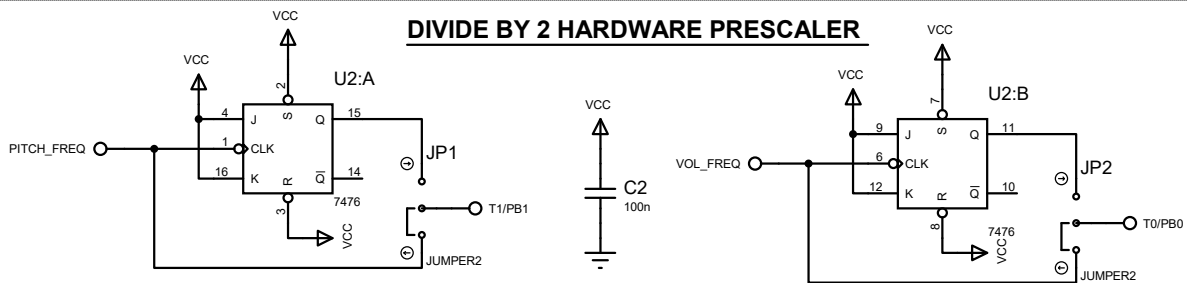
555 for VOLUME



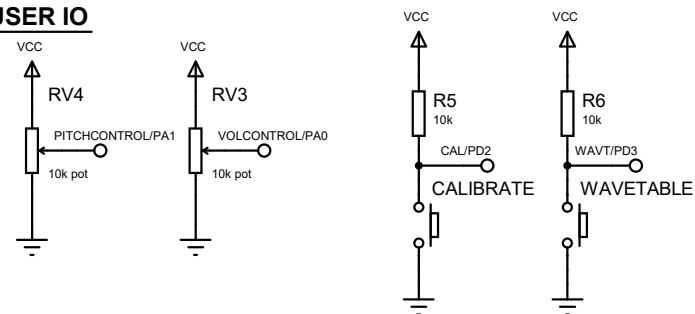
DAC + SIMPLE OUTPUT CIRCUIT



DIVIDE BY 2 HARDWARE PRESCALER



USER IO



LINEAR REGULATOR

