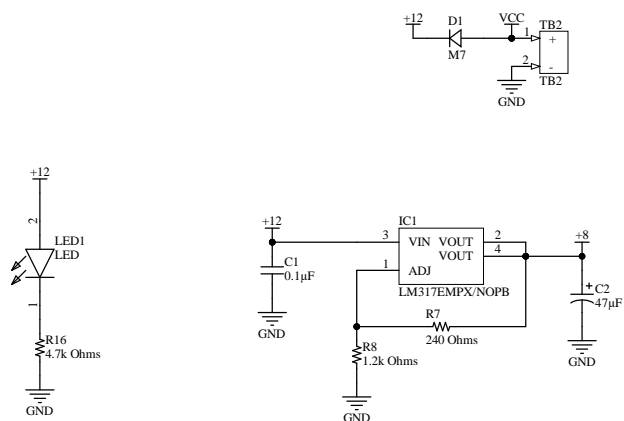
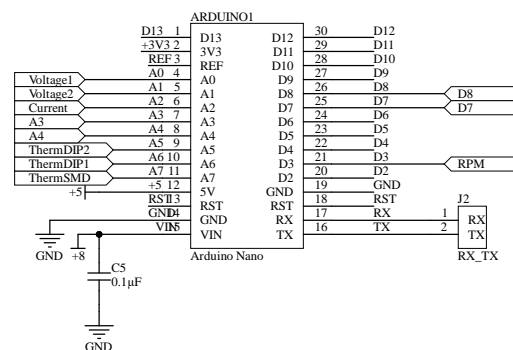


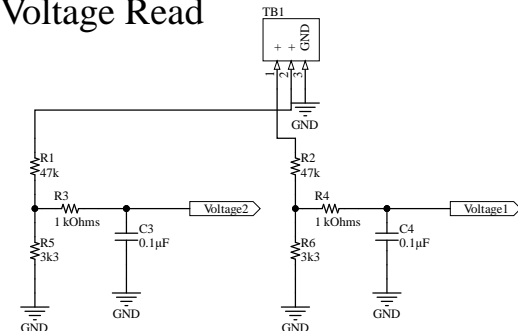
## Power Stage



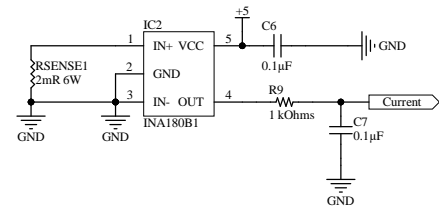
## MCU Stage



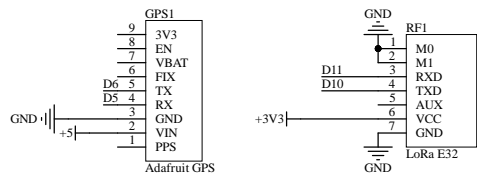
## Voltage Read



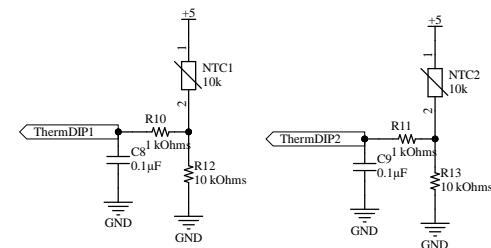
## Current Sense Stage (On-board)



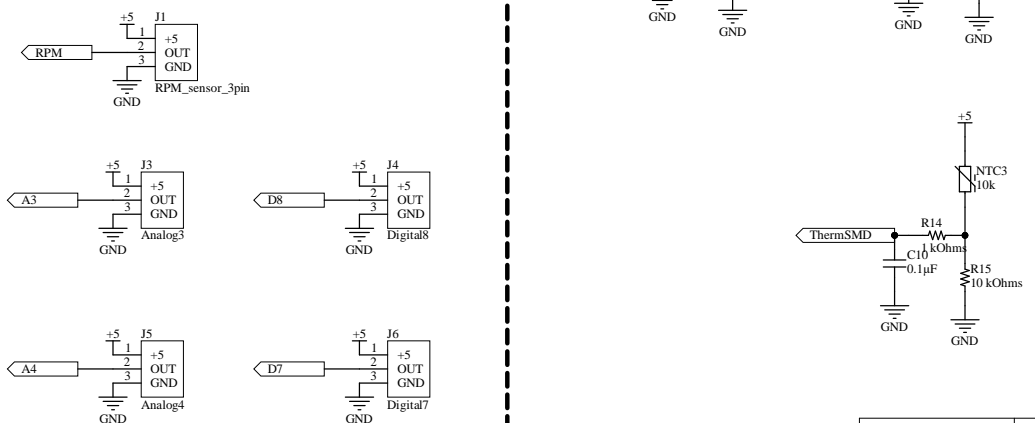
## Communication Stage



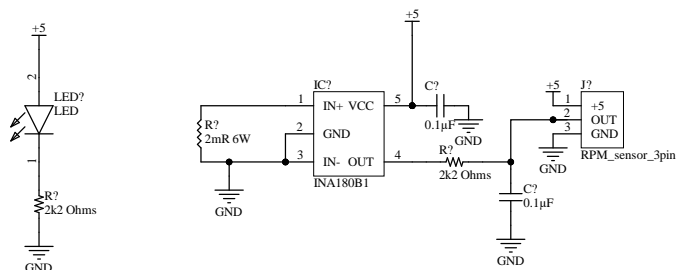
## NTC Sensors



## Extra Connections Pin



## Current Sense Stage x4



Sheet2.SchDoc	16/01/2022	A3
Cannot open file D:\OneDrive - Anadolu Universitesi\2021\... VCU.PrjPcb		
Cannot open ...		