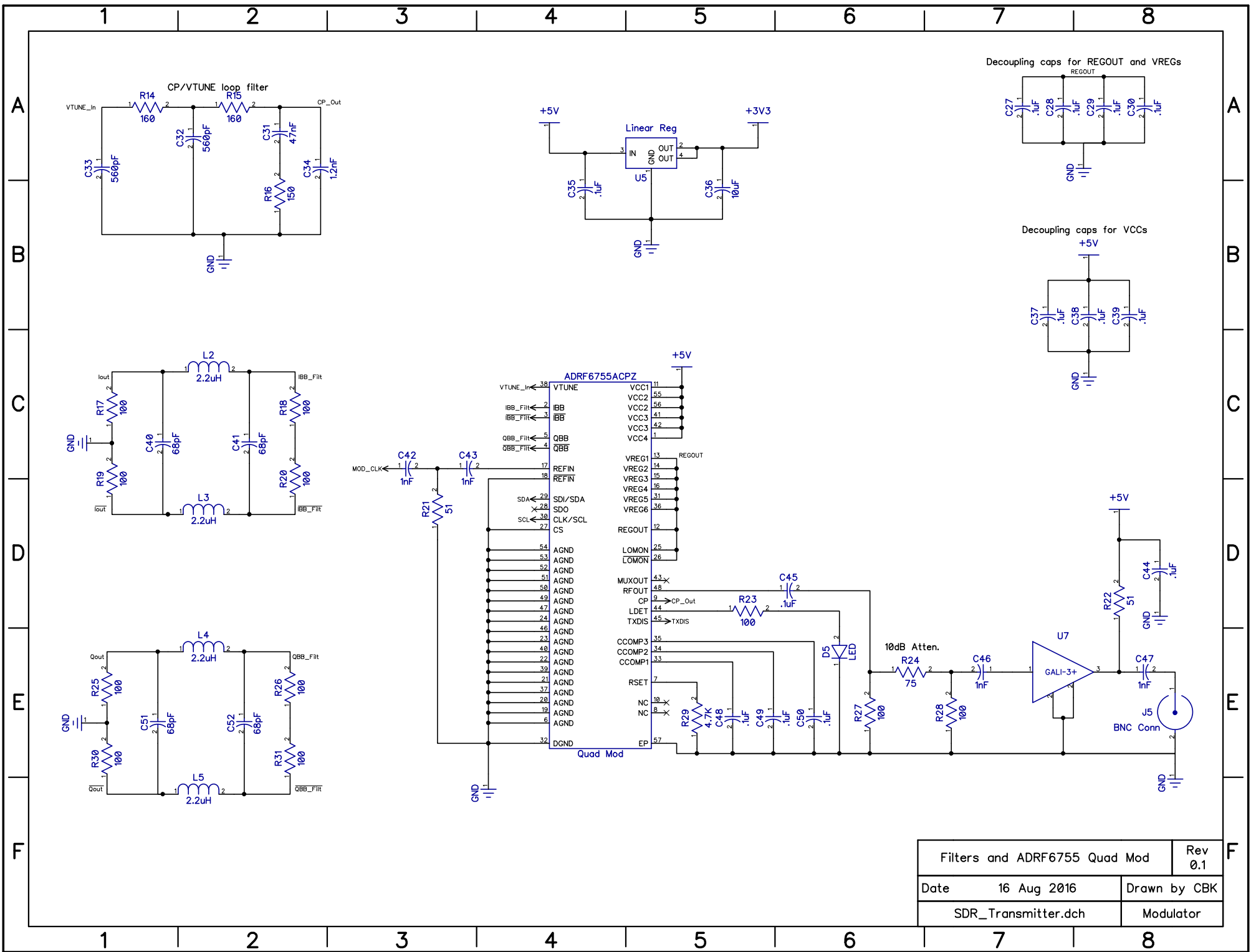


These are uC bypass caps.
The 1uF cap is for the Vdda pin.

I2C pullup resistors.

STM32F405 uC and the AD9761 DAC		Rev 0.1
Date	16 Aug 2016	Drawn by CBK
SDR_Transmitter.dch		uC and DAC



Filters and ADRF6755 Quad Mod		Rev 0.1
Date	16 Aug 2016	Drawn by CBK
SDR_Transmitter.dch		Modulator

#	RefDes	Value	Qty	Name
1	C1, C6, C8, C9, C10, C11, C12, C13, C14, C15, C16, C17, C20, C21, C22, C23, C24, C27, C28, C29, C30, C35, C37, C38, C39, C44, C45, C48, C49, C50	.1uF	30	CAP_0603
2	C2, C3, C4	22uF	3	CAP_0603
3	C5, C36	10uF	2	CAP_0603
4	C7	10nF	1	CAP_0603
5	C18	4.7uF	1	CAP_0603
6	C19	1uF	1	CAP_0603
7	C25, C26	2.2uF	2	CAP_0603
8	C31	47nF	1	CAP_0603
9	C32, C33	560pF	2	CAP_0603
10	C34	1.2nF	1	CAP_0603
11	C40, C41, C51, C52	68pF	4	CAP_0603
12	C42, C43, C46, C47	1nF	4	CAP_0603
13	D1, D2, D3, D4, D5	LED	5	DIODE_0603
14	J1	USB Conn	1	67503-1020
15	J2	Power Conn	1	PJ-002AH-SMT
16	J3	Power Selector	1	JUMPER_3
17	J4	ST-Link	1	1986717-6
18	J5	BNC Conn	1	73137-5003
19	L1	6uH	1	NR6028T
20	L2, L3, L4, L5	2.2uH	4	IND_0603
21	R1	100k	1	RES_0603
22	R2	40.2k	1	RES_0603
23	R3	75k	1	RES_0603
24	R4	7.68k	1	RES_0603
25	R5, R12, R13	2k	3	RES_0603
26	R6, R7	10k	2	RES_0603
27	R8, R9, R10, R11	1k	4	RES_0603
28	R14, R15	160	2	RES_0603
29	R16	150	1	RES_0603
30	R17, R18, R19, R20, R23, R25, R26, R27, R28, R30, R31	100	11	RES_0603
31	R21, R22	51	2	RES_0603
32	R24	75	1	RES_0603
33	R29	4.7K	1	RES_0603
34	S1, S2, S3	Switch	3	B3U-1000P
35	U1	Switching Reg	1	AP65201
36	U2	DAC	1	AD9761ARS
37	U3	Microcontroller	1	STM32F405RGT
38	U4	Clock Gen	1	Si5351A-B-GT
39	U5	Linear Reg	1	LD1117S33CTR
40	U6	Quad Mod	1	ADRF6755ACPZ
41	U7		1	GALI-3+
42	X1	25MHz	1	ECS-TXO-3225
			109	

Bill of Materials		Rev 0.1
Date	16 Aug 2016	Drawn by CBK
SDR_Transmitter.dch		BOM