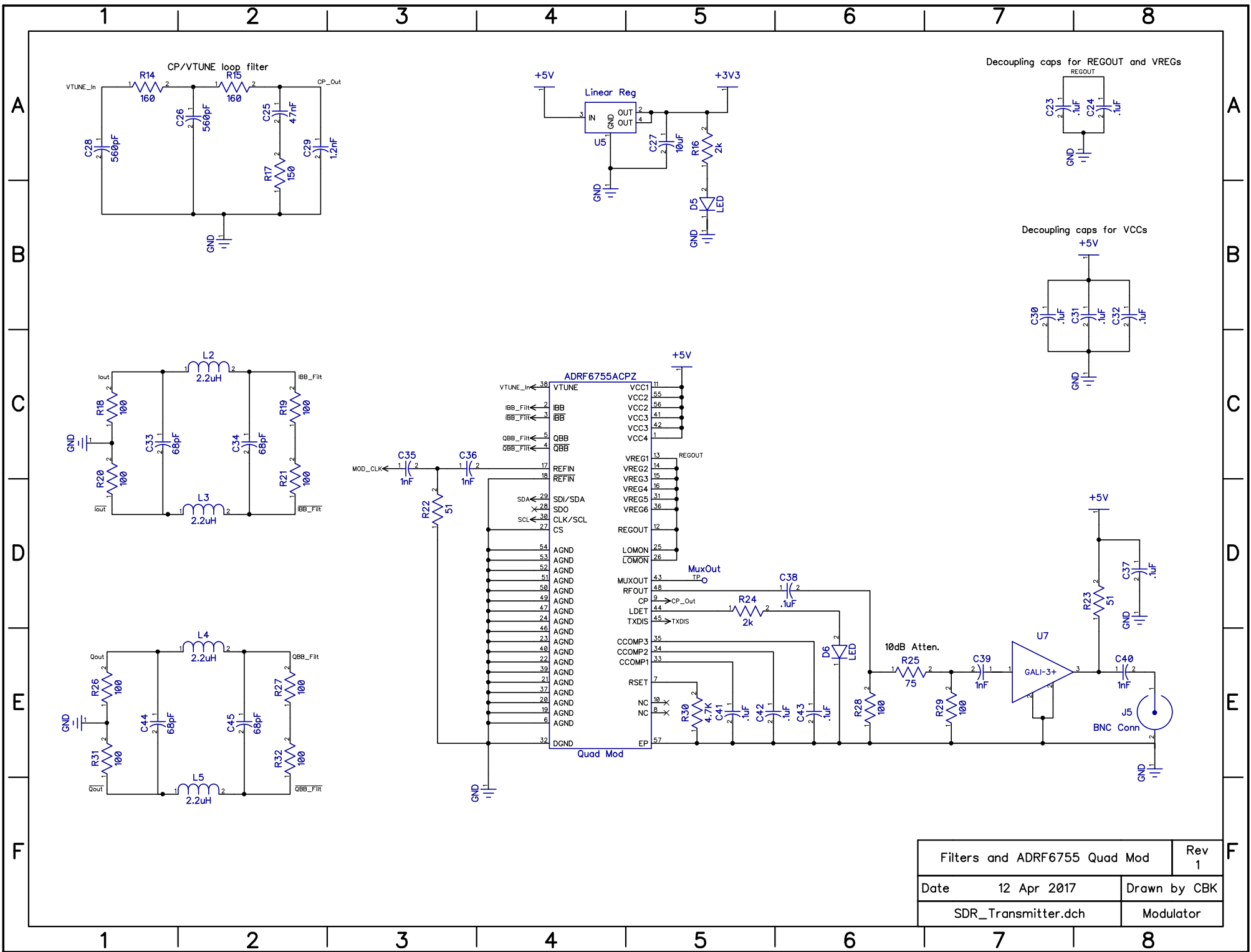


These are uC bypass caps.
The 1uF cap is for the Vdda pin.

I2C pullup resistors.

STM32F405 uC and the AD9761 DAC		Rev 1
Date	12 Apr 2017	Drawn by CBK
SDR_Transmitter.dch		uC and DAC



Filters and ADRF6755 Quad Mod		Rev 1
Date	12 Apr 2017	Drawn by CBK
SDR_Transmitter.dch		Modulator

#	RefDes	Value	Quantity	Name
1	C1, C4, C5, C6, C7, C10, C12, C13, C14, C15, C17, C18, C19, C20, C23, C24, C30, C31, C32, C37, C38, C41, C42, C43	.1uF	24	CAP_0603
2	C2, C3, C8	22uF	3	CAP_0603
3	C9, C27	10uF	2	CAP_0603
4	C11	10nF	1	CAP_0603
5	C16	1uF	1	CAP_0603
6	C21, C22	2.2uF	2	CAP_0603
7	C25	47nF	1	CAP_0603
8	C26, C28	560pF	2	CAP_0603
9	C29	1.2nF	1	CAP_0603
10	C33, C34, C44, C45	68pF	4	CAP_0603
11	C35, C36, C39, C40	1nF	4	CAP_0603
12	D1, D2, D3, D4, D5, D6	LED	6	DIODE_0603
13	ExtTrig		1	ExtTrig
14	J1	USB Conn	1	67503-1020
15	J2	Power Conn	1	PJ-002AH-SMT
16	J3	Power Selector	1	JUMPER_3
17	J4	ST-Link	1	HDR-1x6
18	J5	BNC Conn	1	73137-5003
19	L1	6uH	1	NR6028T
20	L2, L3, L4, L5	2.2uH	4	IND_0603
21	MuxOut		1	MuxOut
22	R1	100k	1	RES_0603
23	R2	40.2k	1	RES_0603
24	R3	75k	1	RES_0603
25	R4	7.68k	1	RES_0603
26	R5, R6, R7, R8, R9, R10, R11, R12, R13, R16, R24	2k	11	RES_0603
27	R14, R15	160	2	RES_0603
28	R17	150	1	RES_0603
29	R18, R19, R20, R21, R26, R27, R28, R29, R31, R32	100	10	RES_0603
30	R22, R23	51	2	RES_0603
31	R25	75	1	RES_0603
32	R30	4.7K	1	RES_0603
33	S1, S2, S3	Switch	3	B3U-1000P
34	U1	Switching Reg	1	AP65201
35	U2	DAC	1	AD9761ARS
36	U3	Microcontroller	1	STM32F405RGT
37	U4	Clock Gen	1	Si5351A-B-GT
38	U5	Linear Reg	1	LD1117S33CTR
39	U6	Quad Mod	1	ADR6755ACPZ
40	U7		1	GALI-3+
41	X1	25MHz	1	ECS-TXO-3225
			106	

Bill of Materials		Rev 1
Date	12 Apr 2017	Drawn by CBK
SDR_Transmitter.dch		BOM