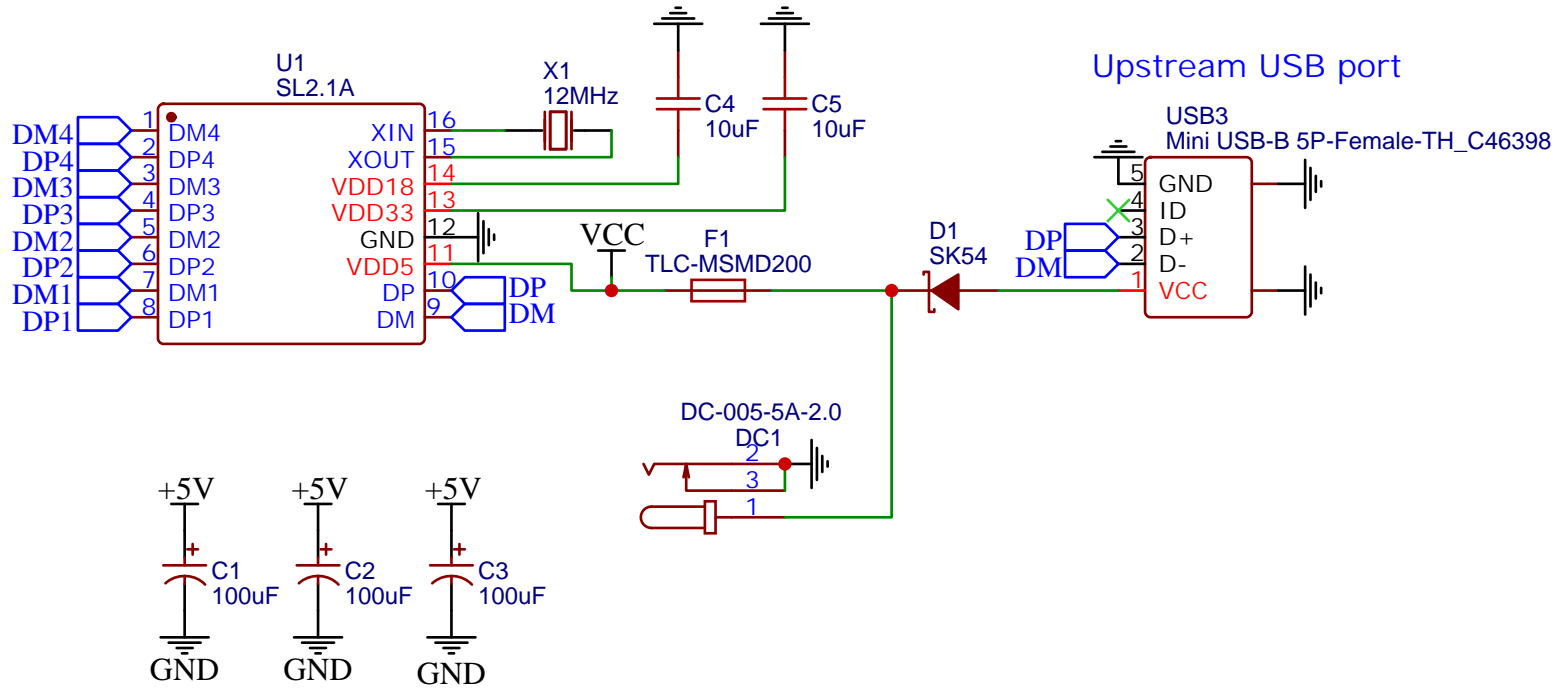
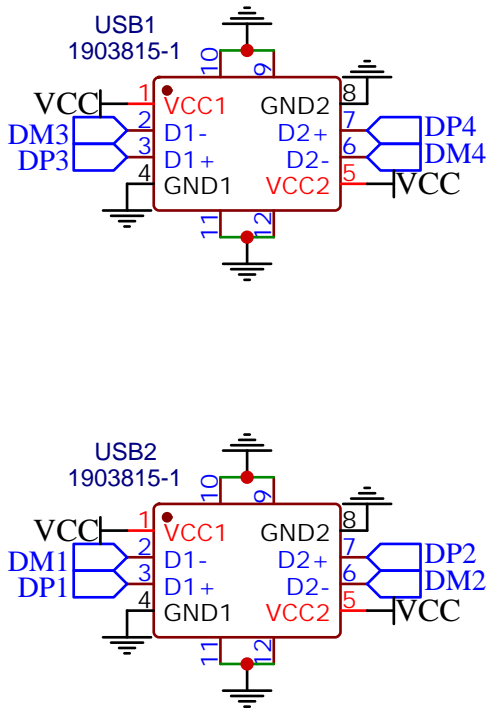


Downstream USB ports.



These caps should be placed as close as possible to the downstream and upstream USB ports.

Add more caps if using single USB ports. The USB ports in this schematic are duplex USB 2.0 ports.