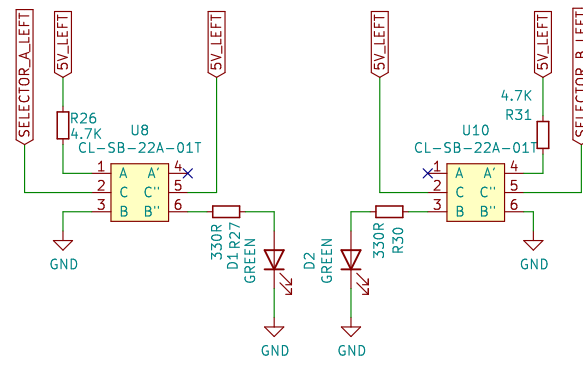


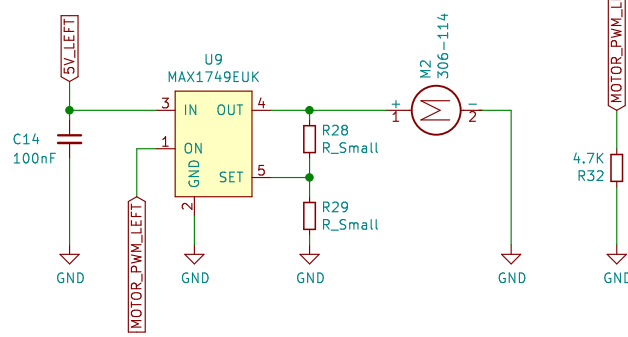
LEFT PAD

Selectors

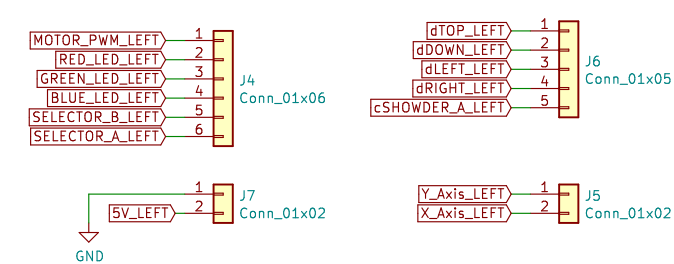


1. Analog joy stick is available from Adafruit.
2. Buttons are B3AL-1000P from OMRON. If you are assembling your own pad you can choose from different operating force switches.
3. LEDs are KRTB AELPS1.32 from OSRAM.
4. Haptics driver is Maxim Integrated and the motor is from Precision Microdrives.
5. Selector switches from Alpine Electronics.

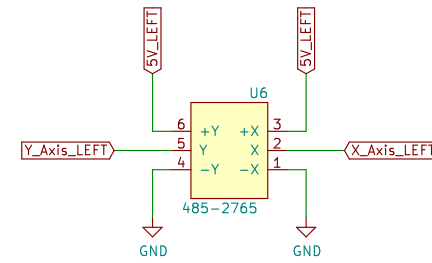
Haptic driver



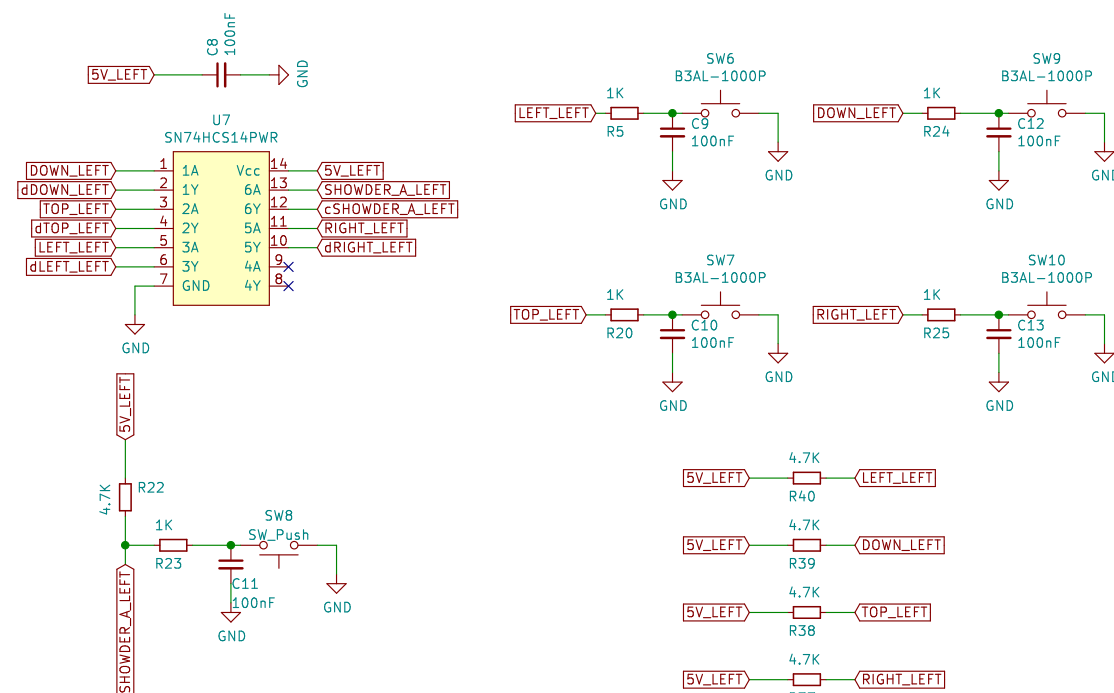
Connectors



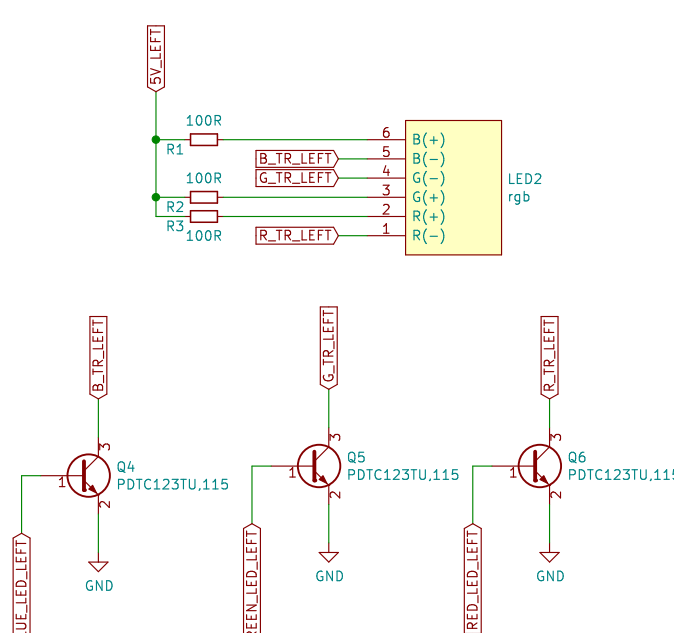
Analog



Buttons

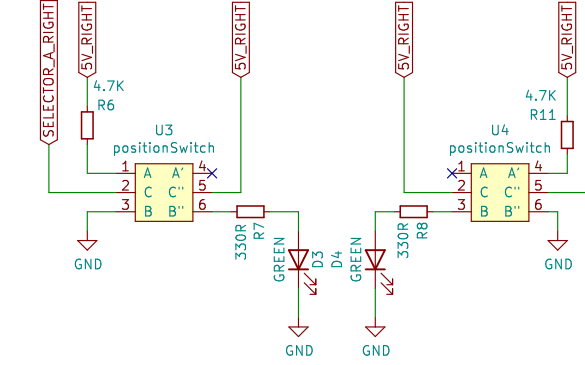


LEDs

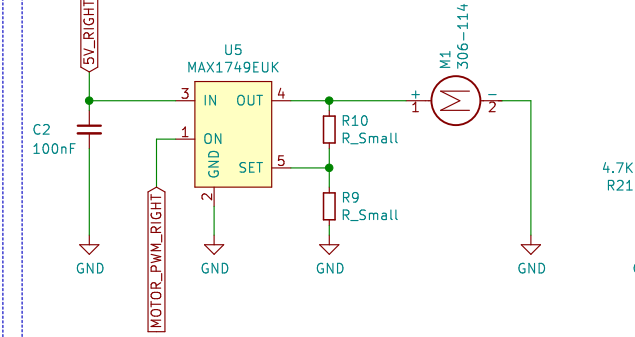


RIGHT PAD

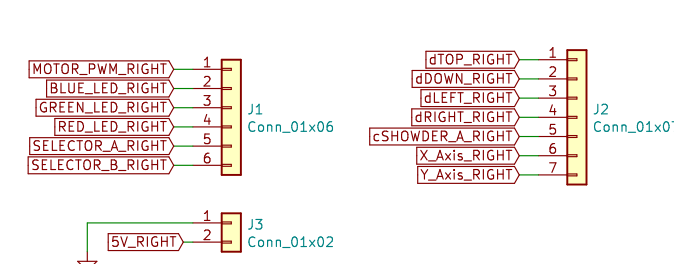
Selectors



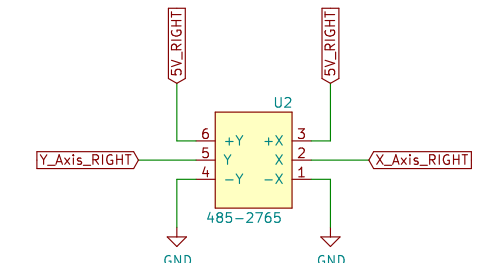
Haptic driver



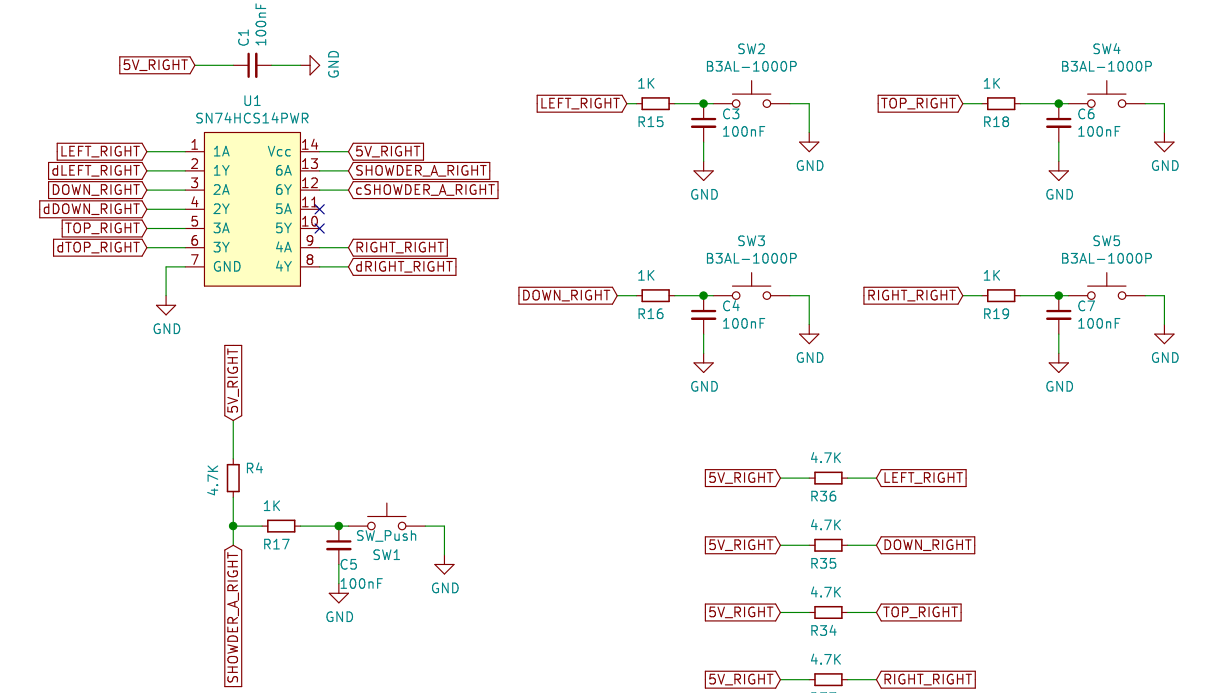
Connectors



Analog



Buttons



LEDs

