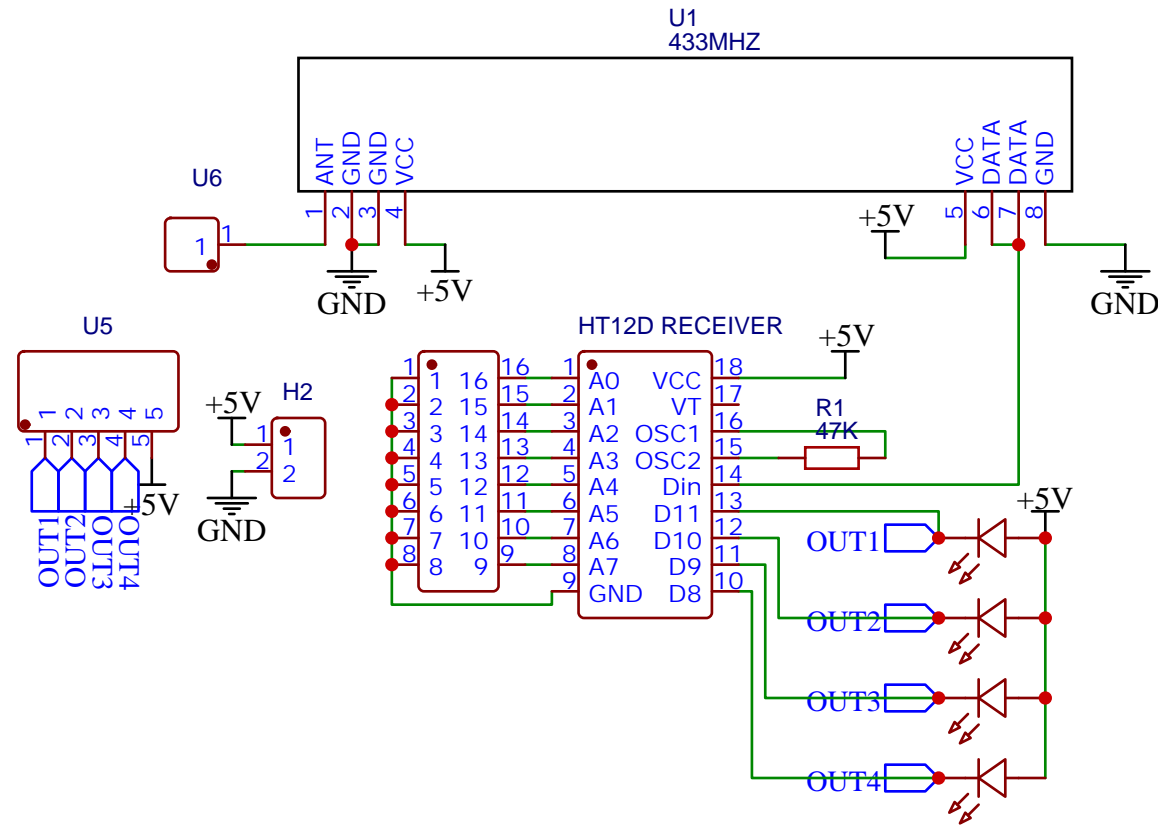
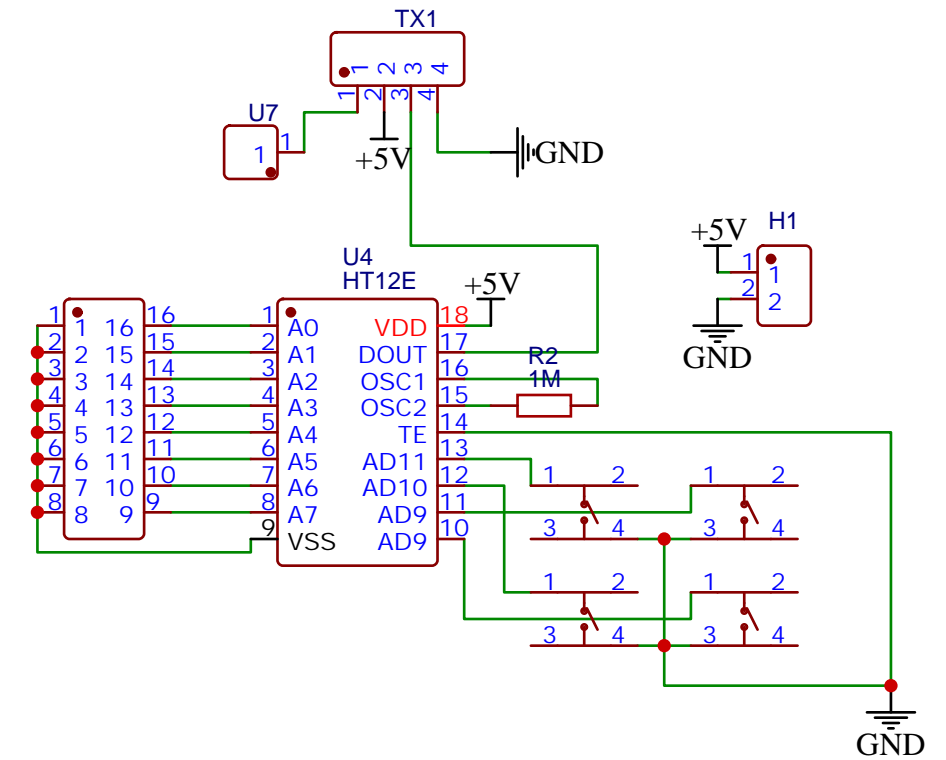


RECEIVER



TRANSMITTER



TITLE: Sheet_1	REV: 1.0
Company: Your Company	Sheet: 1/1
Date: 2022-03-05	Drawn By: sagar saini