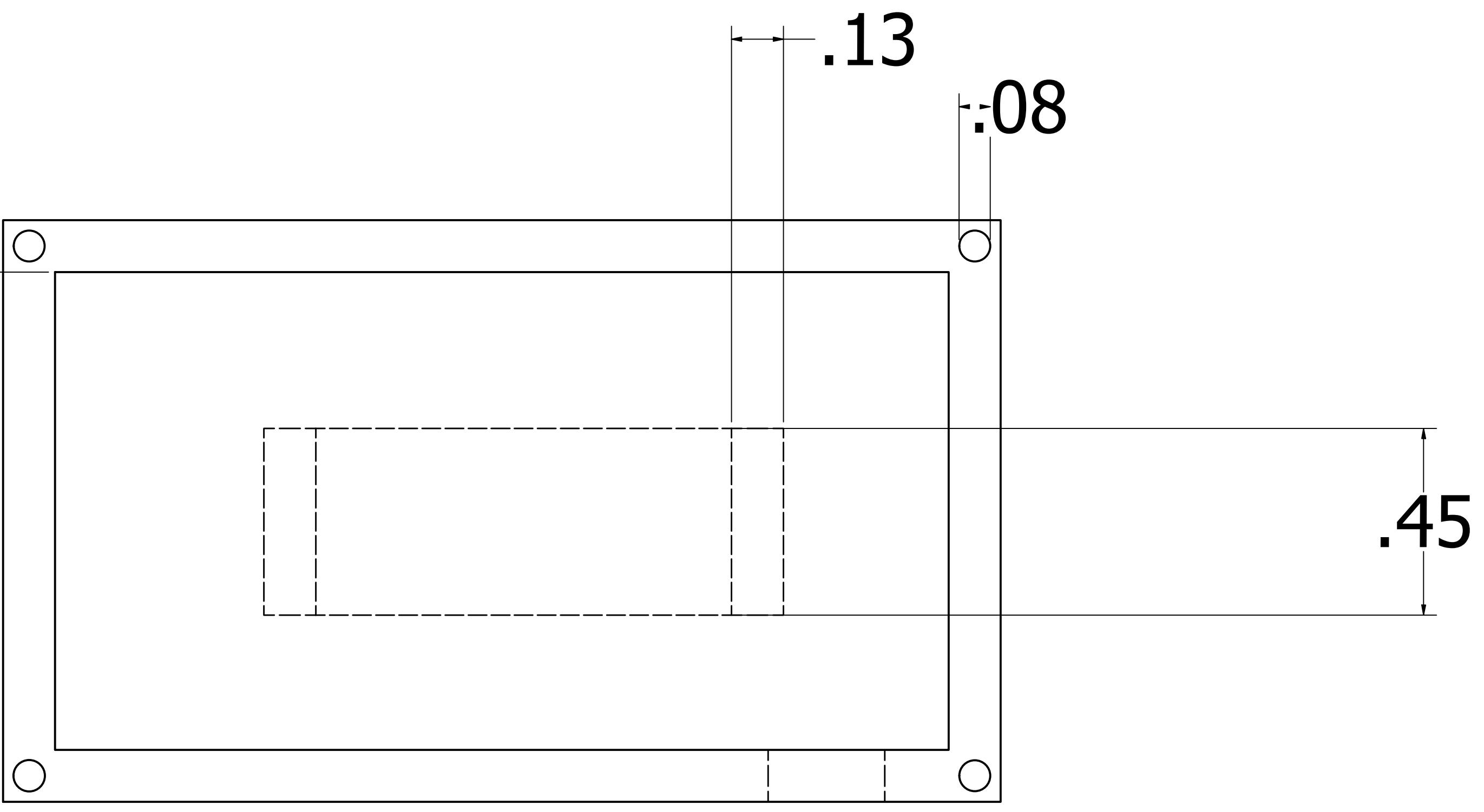
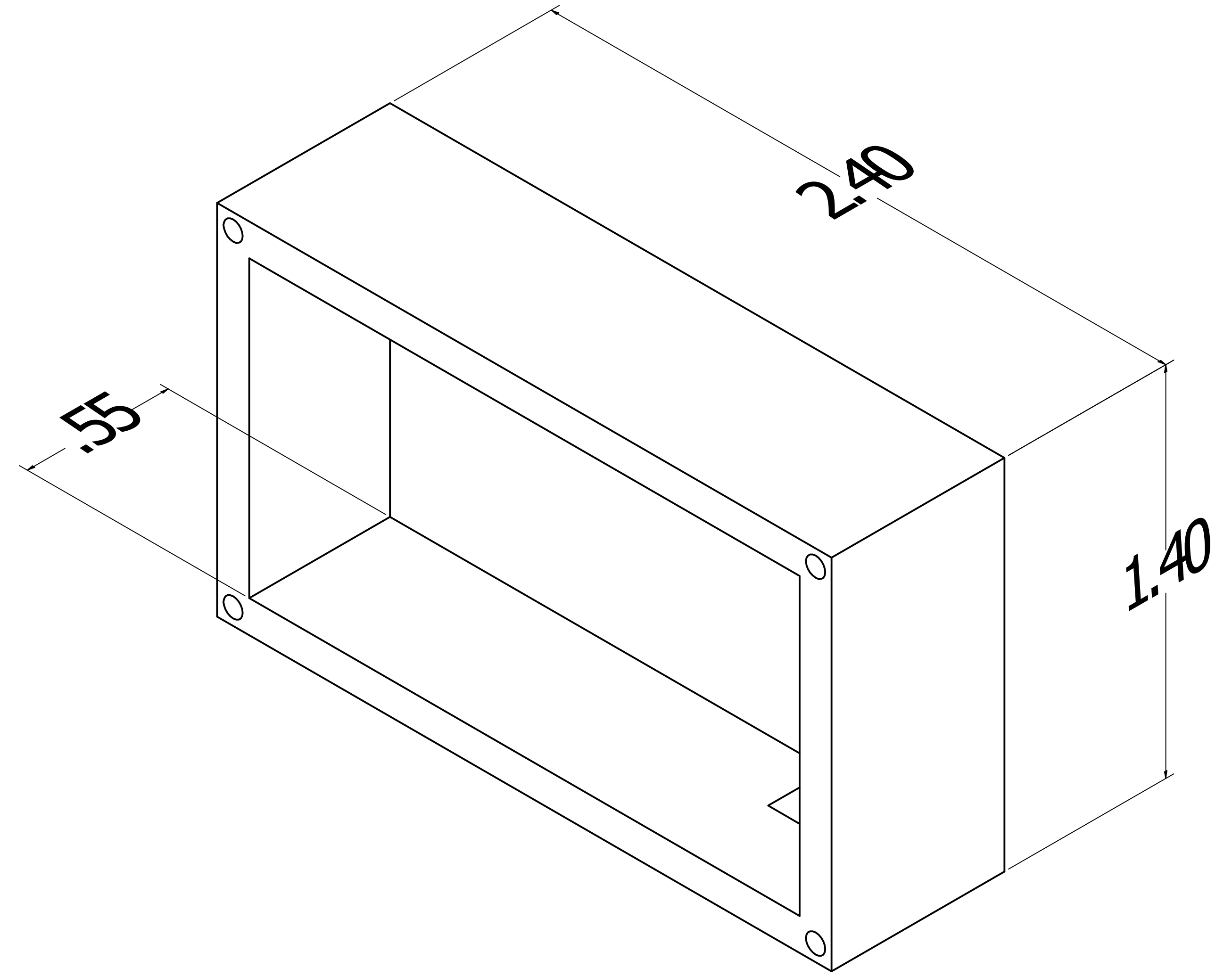
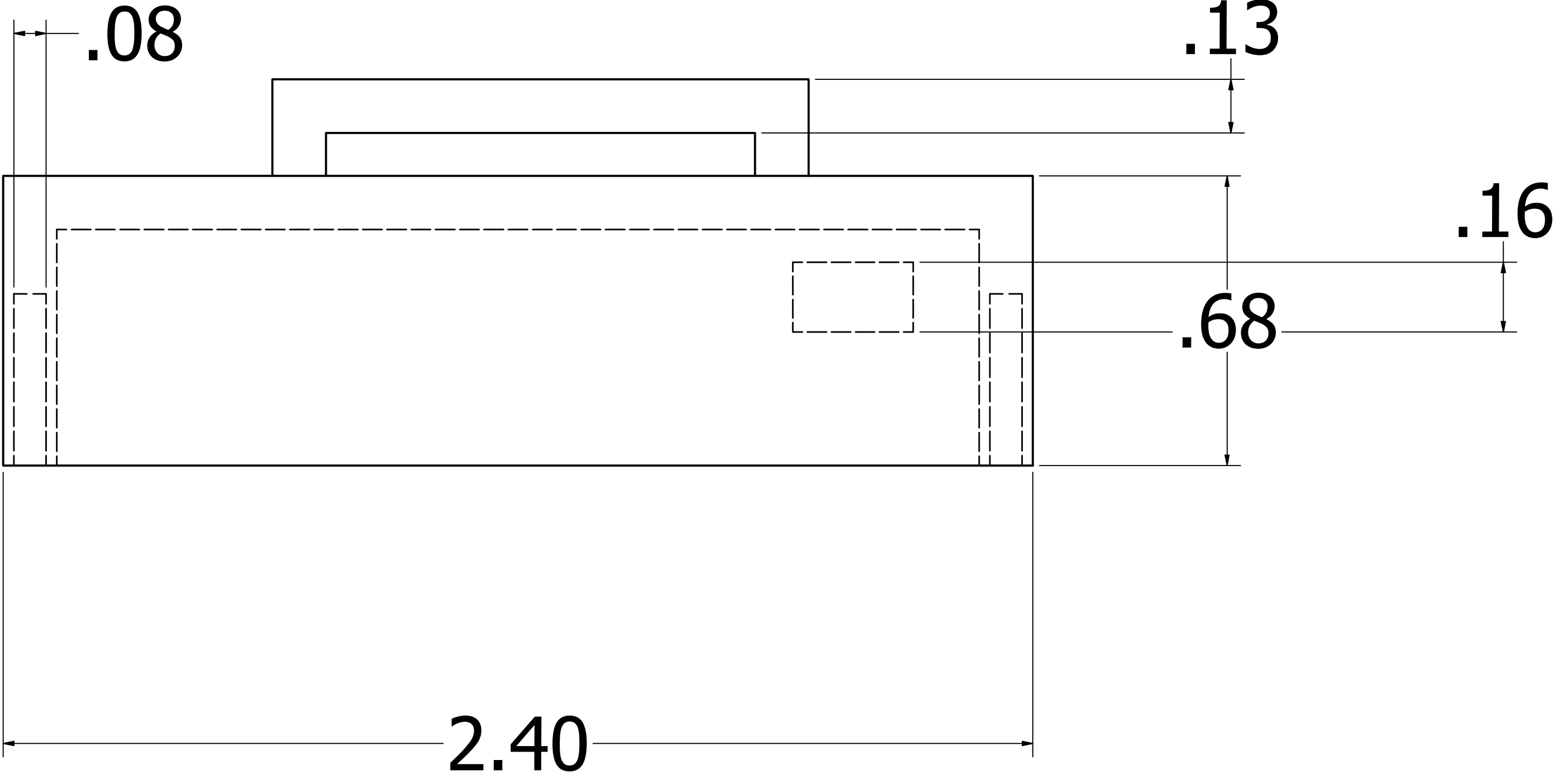


8 7 6 5 4 3 2 1



DRAWN	sheil	1/31/2022		
CHECKED			TITLE	
QA				
MFG				
APPROVED				
			SIZE	DWG NO
			4	1
			SCALE	REV
			1	1
			SHEET	OF
			1	1

8 7 6 5 4 3 2 1