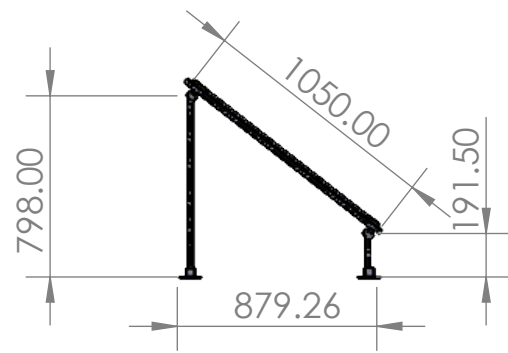
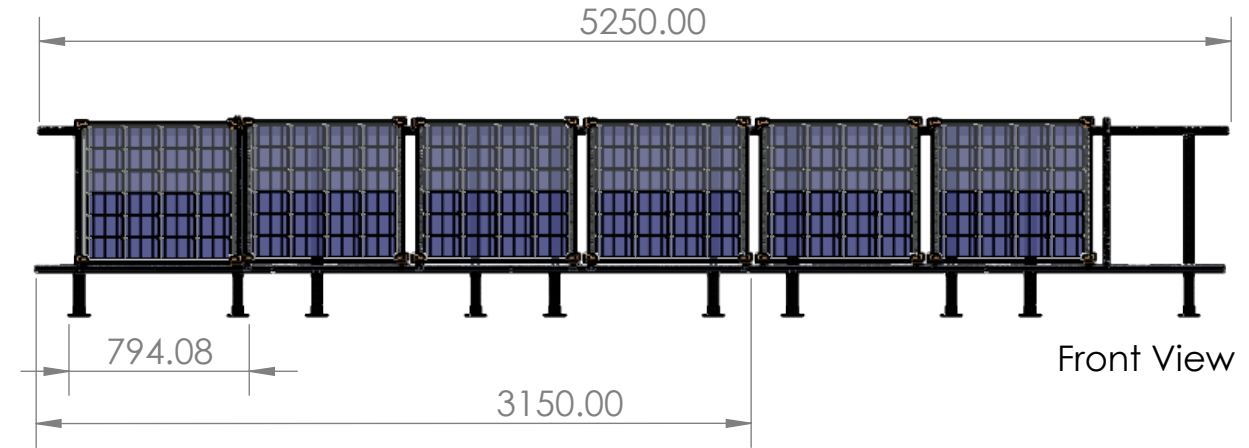


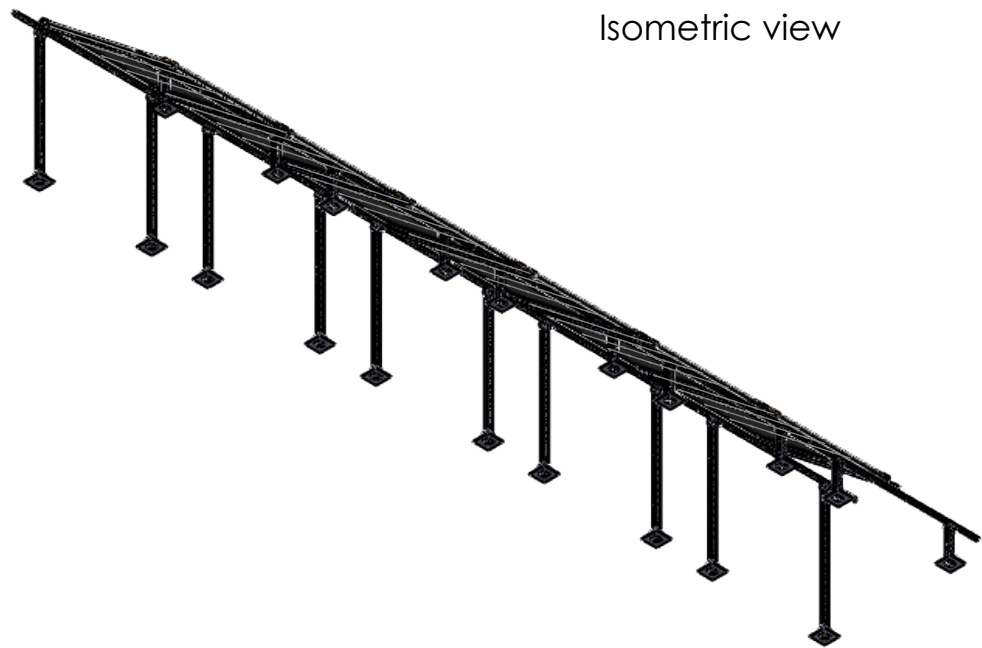
8 7 6 5 4 3 2 1



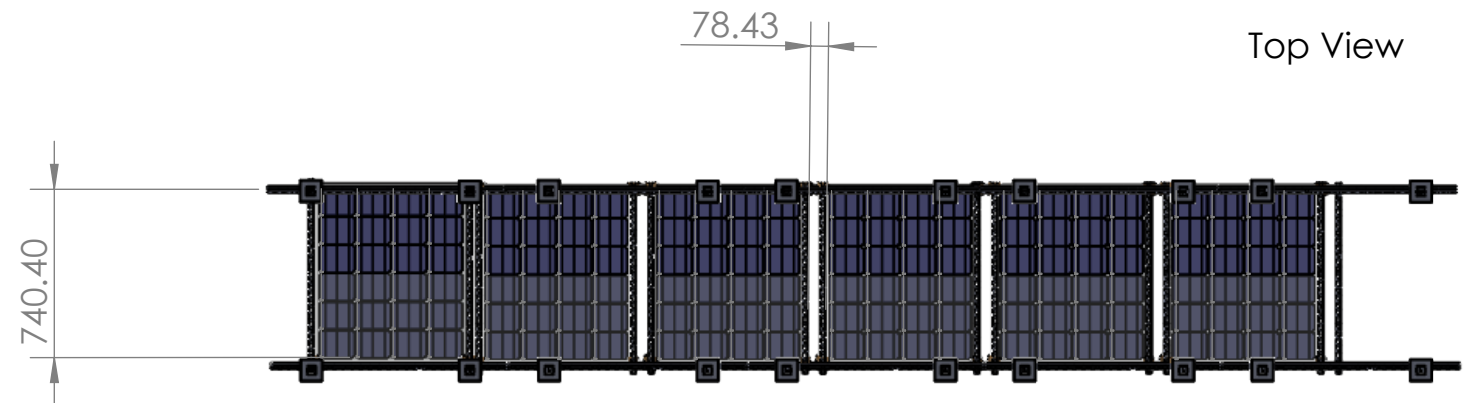
Right view



Front View



Isometric view



Top View

UNLESS OTHERWISE SPECIFIED: DIMENSIONS ARE IN MILLIMETERS SURFACE FINISH: TOLERANCES: LINEAR: ANGULAR:			FINISH:		DEBURR AND BREAK SHARP EDGES		DO NOT SCALE DRAWING		REVISION	
DRAWN Biosphere Solar 24-04-2022			SIGNATURE		DATE		TITLE: Array of modules		DWG NO. Biosphere_Solar	
CHK'D			MATERIAL: Glass & Steel		WEIGHT:		SCALE:1:33.3		SHEET 1 OF 1	
APPV'D			A3							
MFG										
Q.A										

8 7 6 5 4 3 2 1

F
E
D
C
B
A

F
E
D
C
B
A