

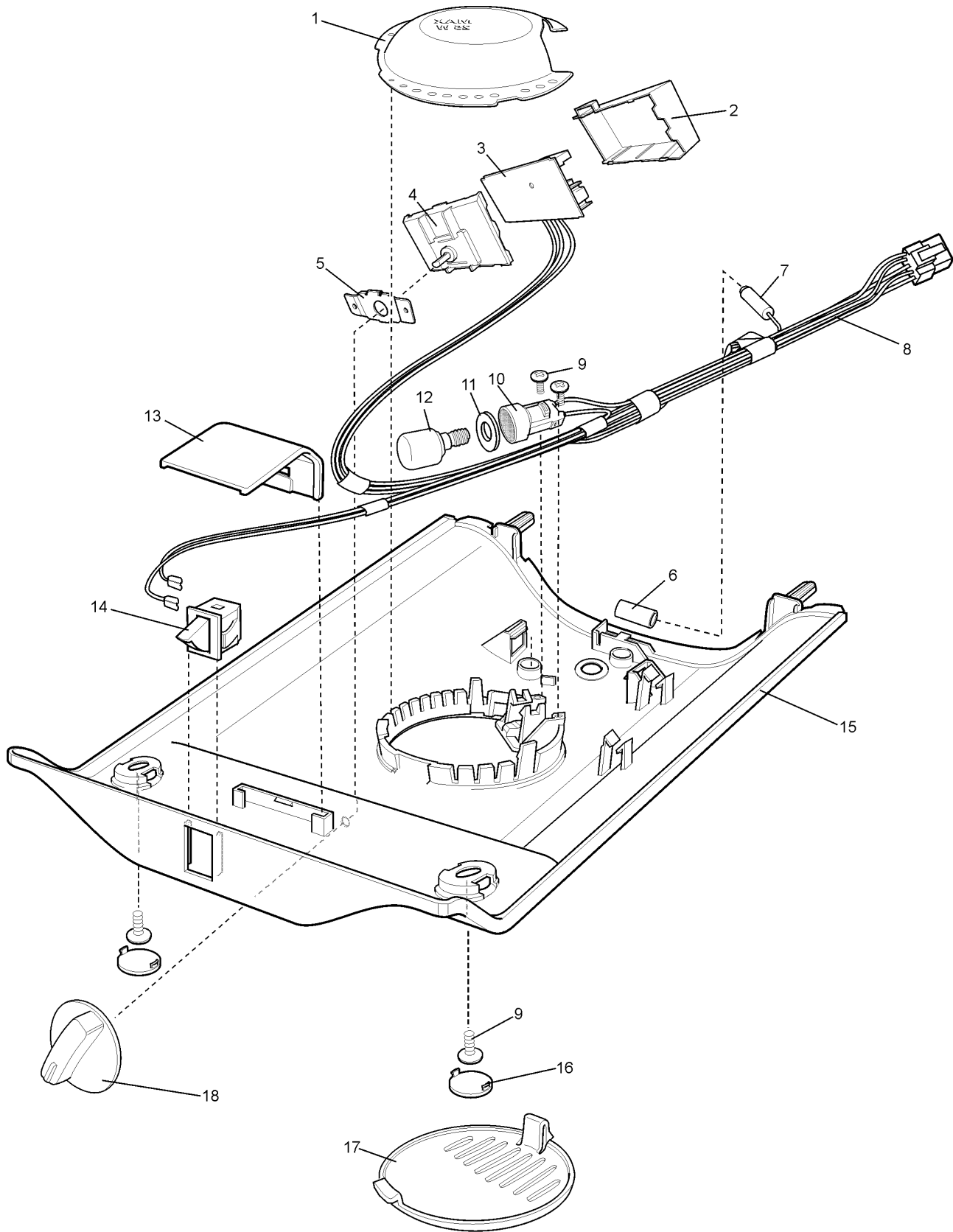
## INDEX

<b>SECTION</b>	<b>PAGE N°</b>
Index	2
Notes	3
Exploded View Control Housings	4 - 5
Exploded View Door Assy.	6 - 7
Exploded View Freezer Assy.	8 - 9
Exploded View Cabinet Assy.	10 - 11
Exploded View Machine Compartment Assy.	12 - 13
Installation Kit	14 - 17



MODEL: EFM3001WD

DRAWING 6777  
CONTROL HOUSINGS  
ASSEMBLY



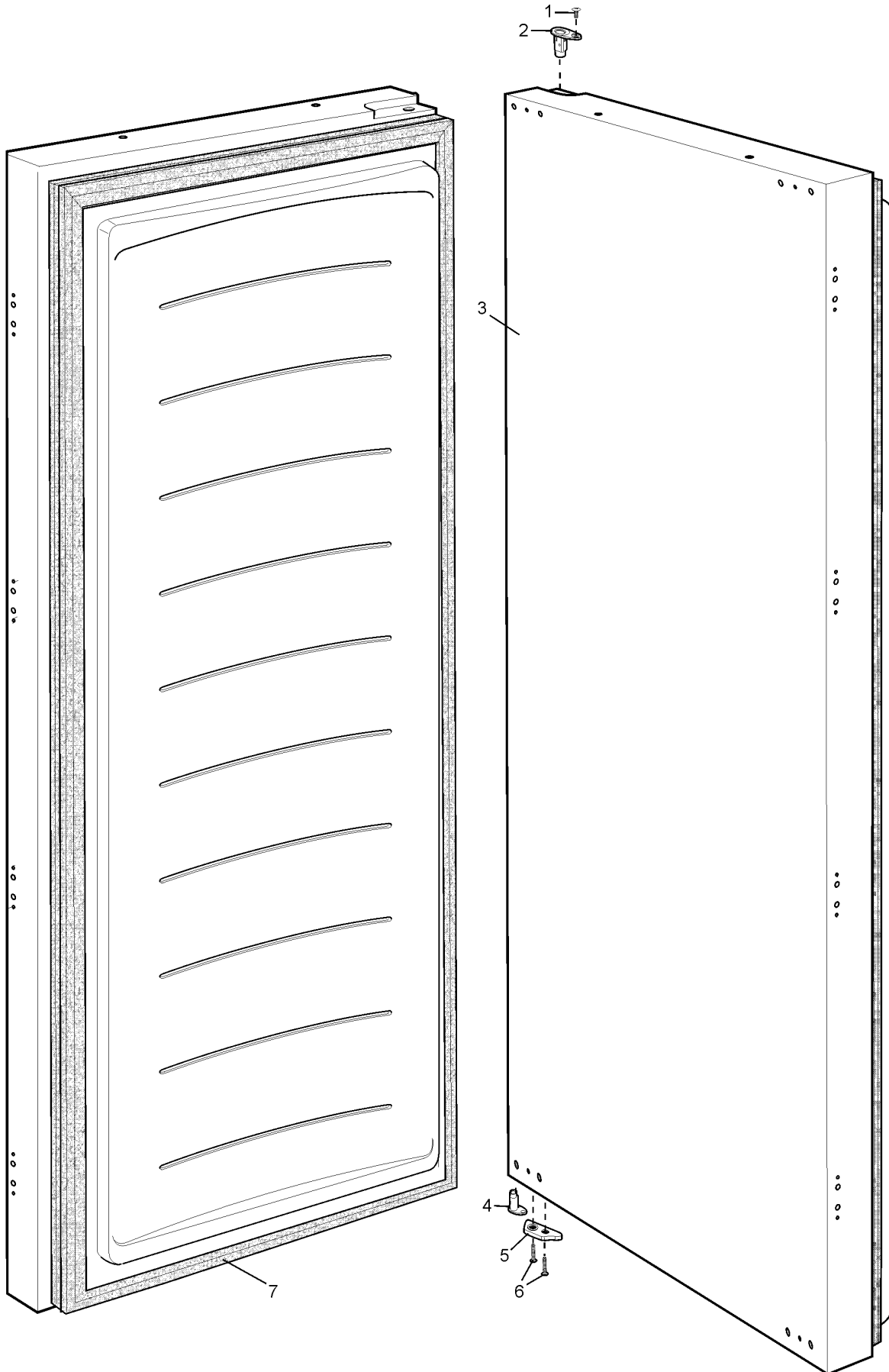
ITEM	PART N°	DESCRIPTION	Ex. 6777	QTY
1	<b>*1451264</b>	Shield, Light		1
2	<b>Refer Item 3</b>	Cover (Part Of Item 3)		x
3	<b>*1454627</b>	Control Board Assy. ERF450 (Includes Items 2, 4 & 5)		1
4	<b>Refer Item 3</b>	Lid (Part Of Item 3)		x
5	<b>Refer Item 3</b>	Bracket, Control (Part Of Item 3)		1
6	<b>*N.P.N.</b>	PVC Tube		x
7	<b>*1452994</b>	Sensor Assy.		1
8	<b>*1452992</b>	Harness, Control Housing		1
9	<b>*1449412</b>	Screws, #8 x 1/2" TF Flange HD WHT		2
10	<b>*§1454035</b>	Lamp Socket & Harness		1
11	<b>*§1453302</b>	Lamp Sealing Socket		1
12	<b>*§1451284</b>	Lamp, E14SES 25w Blue		1
13	<b>*1445496</b>	Shield, Light Switch		1
14	<b>*1446958</b>	Light Switch		1
15	<b>*1454142</b>	Housing, Control Moulded		1
16	<b>1445182</b>	Cap, Timer Hole		3
17	<b>1446593</b>	Lens, Light		1
18	<b>1444896</b>	Knob, Control		1

**Note:** \* Can replace these parts with assembly 1452758.

**Note:** § When replacing the Lamp, check that the lamp sealing gasket is still in place in the Lamp Socket.

MODEL: EFM3001WD

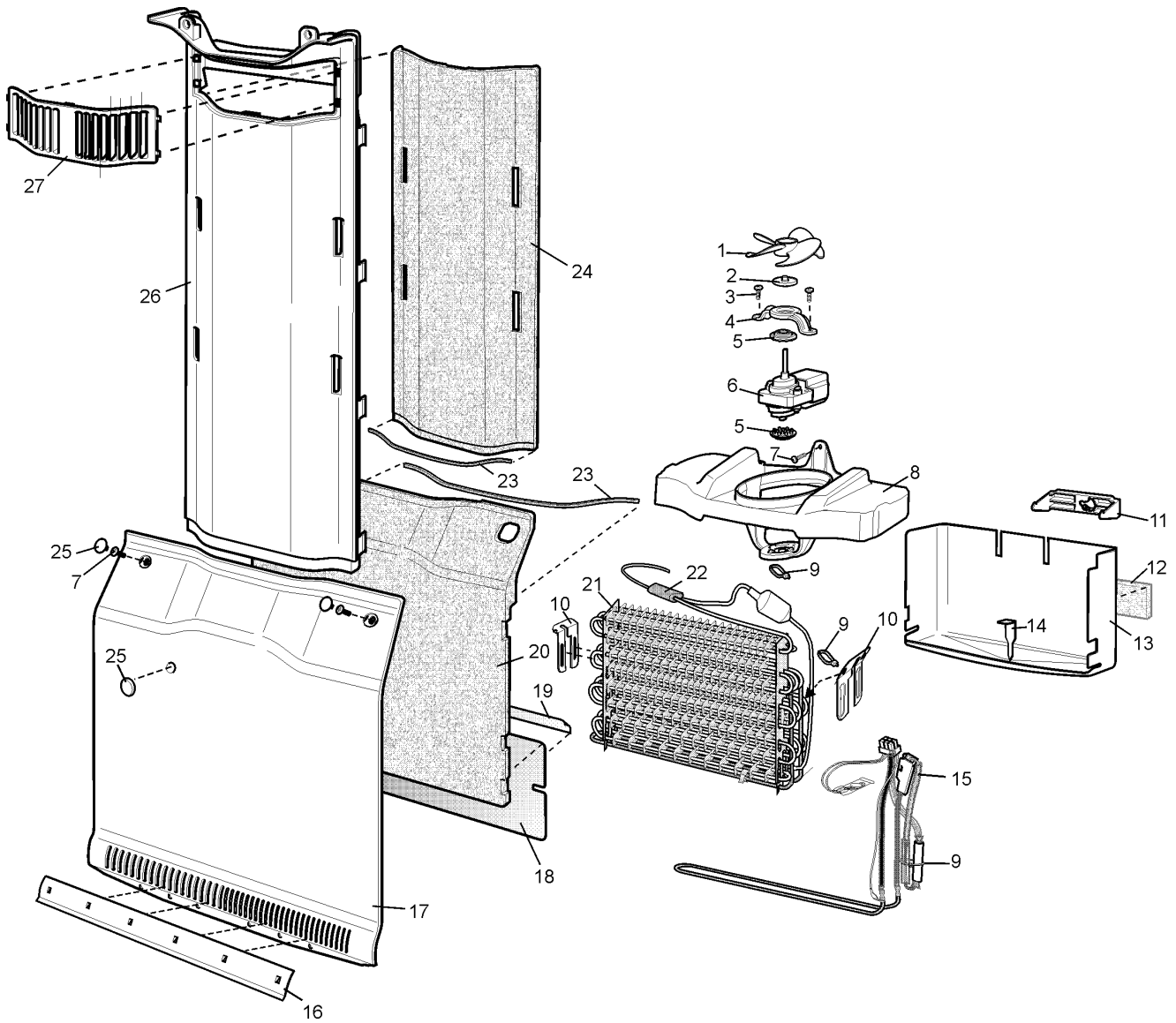
EX. VIEW DRAWING 6219  
DOOR ASSEMBLY



ITEM	PART N°	DESCRIPTION	Ex. 6219	QTY
1	<b>1450385</b>	Rivet, SS 4mm		1
2	<b>1450580</b>	Thimble, Filler Assy. Closed		1
3	<b>1450416</b>	Door FIP Fzr, L.H./R.H.		1
4	<b>1450305</b>	Thimble, Cam Assy. Closed		1
5	<b>1448994</b>	Stop, Door		1
6	<b>154564</b>	Screw, Door Stop N°10 x ¾" T/CT T23 C/SUNK		2
7	<b>1447013K</b>	Gasket, Door Fzr.		1

MODEL: EFM3001WD

EX. VIEW DRAWING 6766  
FREEZER ASSEMBLY



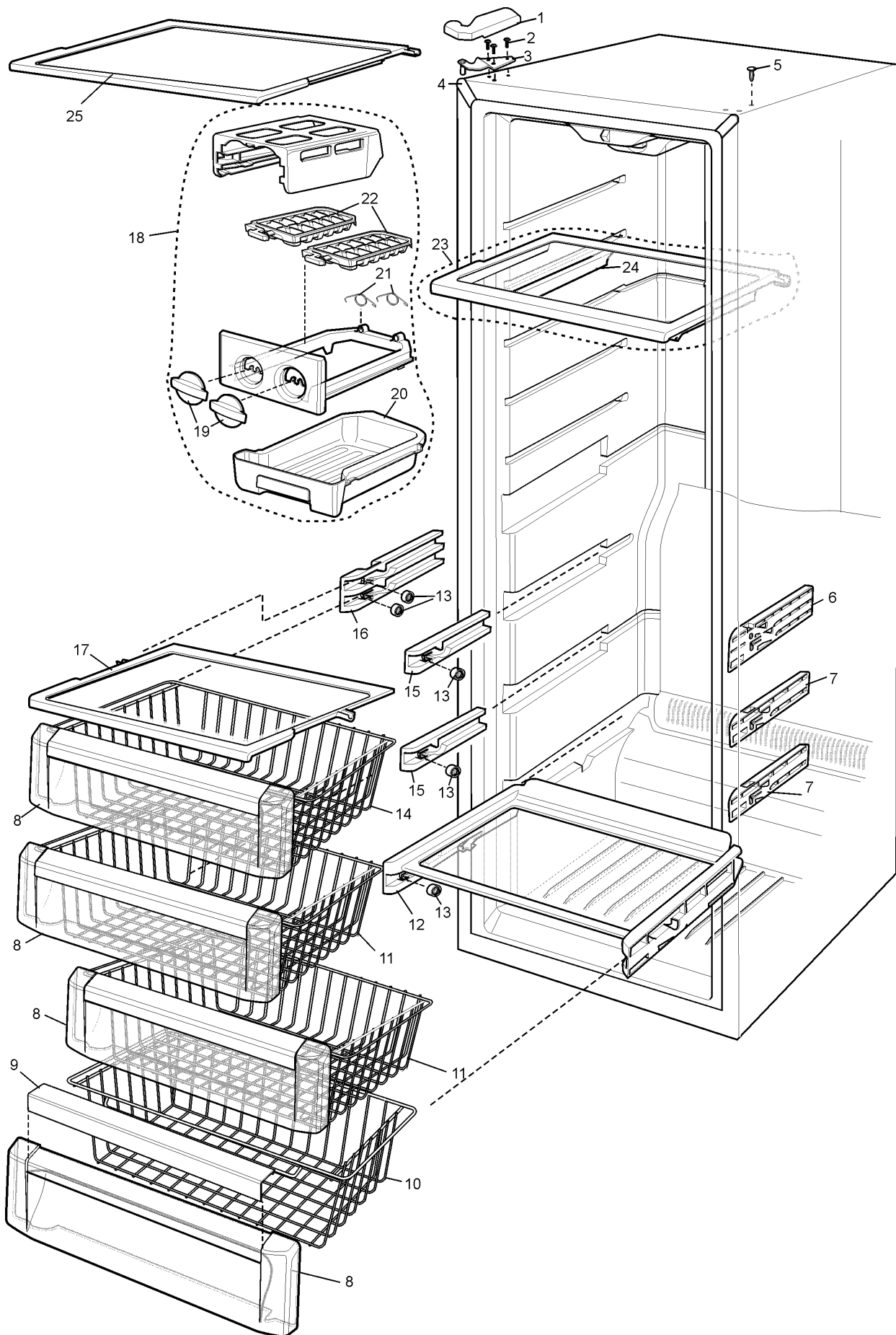
ITEM	PART N°	DESCRIPTION	Ex. 6766	QTY
1	1447208	Fan Blade Assy.		1
2	1446195	Slinger		1
3	1449422	Screw, #8 x ½ TF TA PAN HD		2
4	1435137	Bracket, Fan		1
5	1446048	Grommet, Fan Mounting		2
6	1449376	Motor, Fan 5 watts		1
7	1449412	Screw, #8 x ½" TF Flange HD WHT		3
8	1445228	Shroud, Fan Moulded		1
9	1416248	Cable Tie		3
10	1442205	Bypass Seal Plastic		2
11	1445013	Bracket, Evaporator Mtg.		1
12	1445861	Noise Damper		1
13	1451273	Trough, Drain Assy.		1
14	1406557	Strainer, Drain Tube		1
15	*1454344	Defrost Heater Harness Assy. (Includes Heater, Thermal Fuse & DTT)		1
16	1451586	Air Return Baffle		1
17	1454672	Evaporator Cover Assy.		1
	1453074	Evaporator Cover		1
18	1451261	Heat Shield, Evaporator Cover		1
19	PG609	Tape, Aluminium		1
20	1445257	EPS, Evaporator Cover		1
21	1453195	Evaporator Assy.		1
22	1437017	Noise Damper		1
23	1435811	Tape, 9mm x 6mm P/Urethane		1
24	1452932	EPS Freezer Duct		1
25	1445182	Cap, Timer		3
26	1453083	Multi Flow Duct Mld.		1
27	1445576	Air Grille		1

**Note: \* This Defrost Heater Assembly must only be replaced by the same assembly designed specifically to be used with R600a refrigerant. Under no circumstances should an individual component in the assembly be replaced. An assembly must be replaced with an assembly.**



MODEL: EFM3001WD

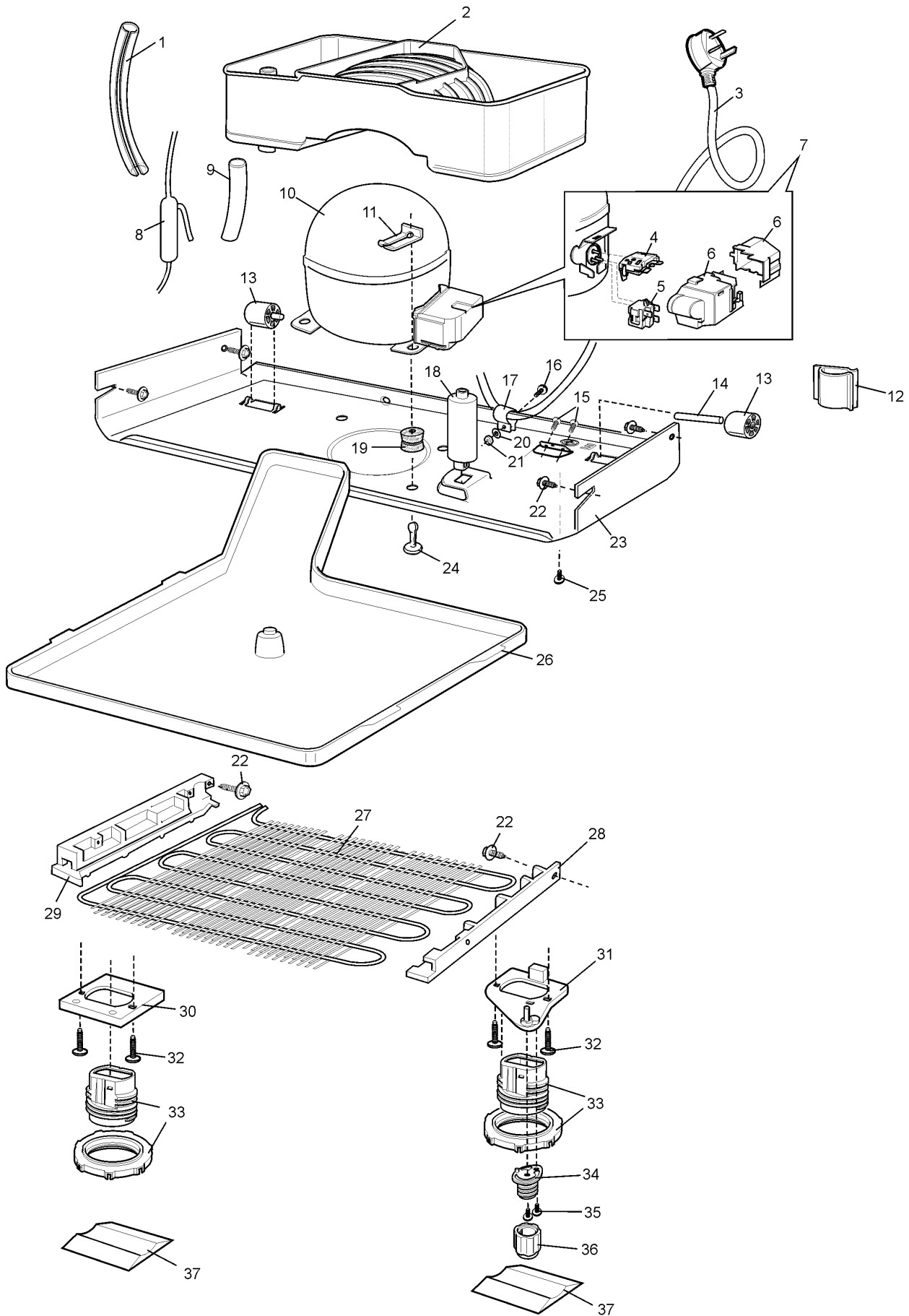
EX. VIEW DRAWING 6990  
CABINET ASSEMBLY



ITEM	PART N°	DESCRIPTION Ex. 6990	QTY
1	<b>1443565</b>	Cover, Hinge LH	1
2	<b>1449414</b>	Screw, Top Hinge	3
3	<b>1448262</b>	Hinge, Top LH	1
4	<b>1450853</b>	Cap, Corner	2
5	<b>1450557</b>	Hole Plug	3
6	<b>1443818</b>	Runner, Double RH Assy.	1
7	<b>1443824</b>	Runner, Single RH Assy.	2
8	<b>1452886</b>	Basket, Front	4
9	<b>N.P.N.</b>	Part of Item N° 8	x
10	<b>1445479</b>	Basket, Small	1
11	<b>1445480</b>	Basket, Large	2
12	<b>1448458</b>	Shelf, Baffle Assy.	1
13	<b>1444021</b>	Roller Wheel	10
14	<b>1445481</b>	Basket, Top	1
15	<b>1443825</b>	Runner, Single LH Assy.	2
16	<b>1443819</b>	Runner, Double LH Assy.	1
17	<b>1452244</b>	Shelf, Glass, Freezer Middle	1
18	<b>1452566</b>	Twist & Serve Carriage Assy. (Includes Items 19, 20, 21 & 22)	1
19	<b>JKNB-A076CBFA</b>	Knob Ice Cube Tray	2
20	<b>UYOK-A541CBFA</b>	Ice Cube Box	1
21	<b>MSPR-A061CBW0</b>	Spring, Ice Cube Tray	2
22	<b>USRA-A308CBFA</b>	Tray, Ice Cube Tray	2
23	<b>1452628</b>	Shelf, Glass, Freezer Assy.	1
24	<b>N.P.N.</b>	Part of Item N° 23	x
25	<b>1451577</b>	Shelf, Glass, Freezer Top	1

MODEL: EFM3001WD

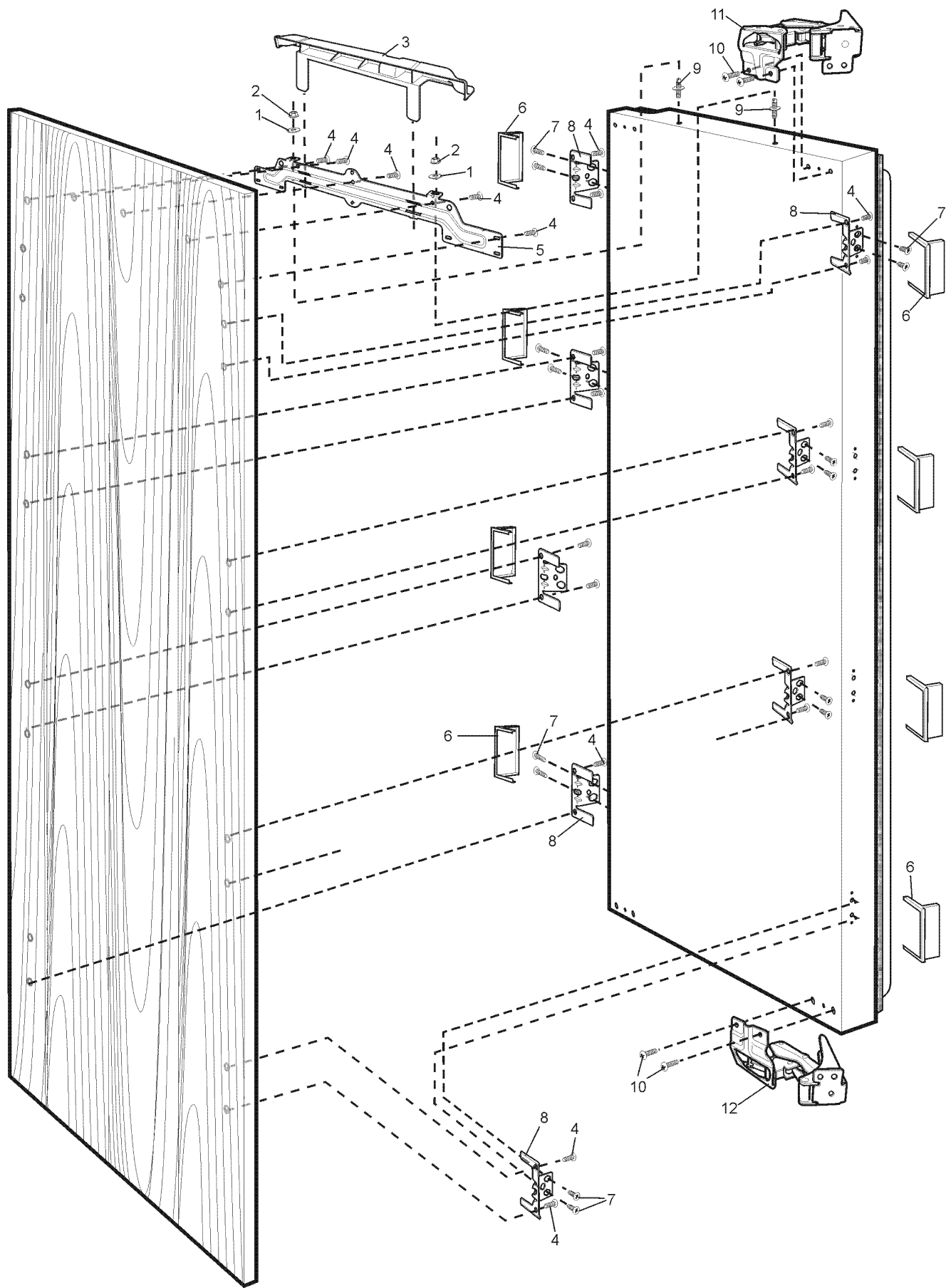
EX. VIEW DRAWING 6962  
MACHINE COMPARTMENT  
ASSEMBLY



ITEM	PART N°	DESCRIPTION Ex. 6962	QTY
1	<b>1446166</b>	Drain Tube, Slit, Clear	1
2	<b>1454091</b>	Pan, Drain	1
3	<b>1454137</b>	Cord, Service	1
4	<b>Refer Item 7</b>	Overload, Protector	x
5	<b>Refer Item 7</b>	P.T.C. Relay	x
6	<b>Refer Item 7</b>	Terminal Board	x
7	<b>1454597</b>	Kit Electrics (Includes Items 4, 5 & 6)	1
8	<b>ES5332</b>	Dryer	1
9	<b>1437190</b>	Drain Tube	1
10	<b>1453905</b>	Compressor, Embraco EMB66CLC <b>R600a</b>	1
11	<b>1449402</b>	Clip, Compressor Retaining	4
12	<b>1436223</b>	Clip, Self Adhesive	2
13	<b>1449731</b>	Roller, Rear (Light Grey)	2
14	<b>1451844</b>	Shaft, Roller Rear	2
15	<b>1449410</b>	Screw, 8/32" x 1/2" Thread Cut	2
16	<b>1449415</b>	Screw	1
17	<b>1438128</b>	Clamp	1
18	<b>1454175</b>	Capacitor, 4µf 400 volts R600a	1
19	<b>1446306</b>	Grommet, Rubber Comp. Mtg.	4
20	<b>1449433</b>	Lock Washer	1
21	<b>1449423</b>	Nut	1
22	<b>1449407</b>	Screw, #12-14, 16mm	10
23	<b>1447043</b>	Base Plate, Compressor	1
24	<b>1416655</b>	Pin, Comp. Mtg.	4
25	<b>1449401</b>	Screw, #8-32 x 3/8	2
26	<b>1442301</b>	Defrost Water Tray	1
27	<b>1441985</b>	Pre cooler 595 x 550mm	1
28	<b>1442298</b>	Bracket, Pre cooler RH	1
29	<b>1442299</b>	Bracket, Pre cooler LH	1
30	<b>1441916</b>	Spacer, Roller, Strikeside	1
31	<b>1447211</b>	Hinge Plate, Bottom LH (Black)	1
32	<b>1449409</b>	Screw, Lower Hinge/Roller Spacer	4
33	<b>1442374</b>	Roller, Adjustable	2
34	<b>1441979</b>	Mount Foot Stabilising	1
35	<b>1444541</b>	Screw, M4x8 Mush X/R T-23 ZP	2
36	<b>1441919</b>	Cap, Stabilising Foot	1
37	<b>1448845</b>	Roller Stop Skid	2

MODEL: EFM3001WD

EX. VIEW DRAWING 6364  
INSTALLATION KIT



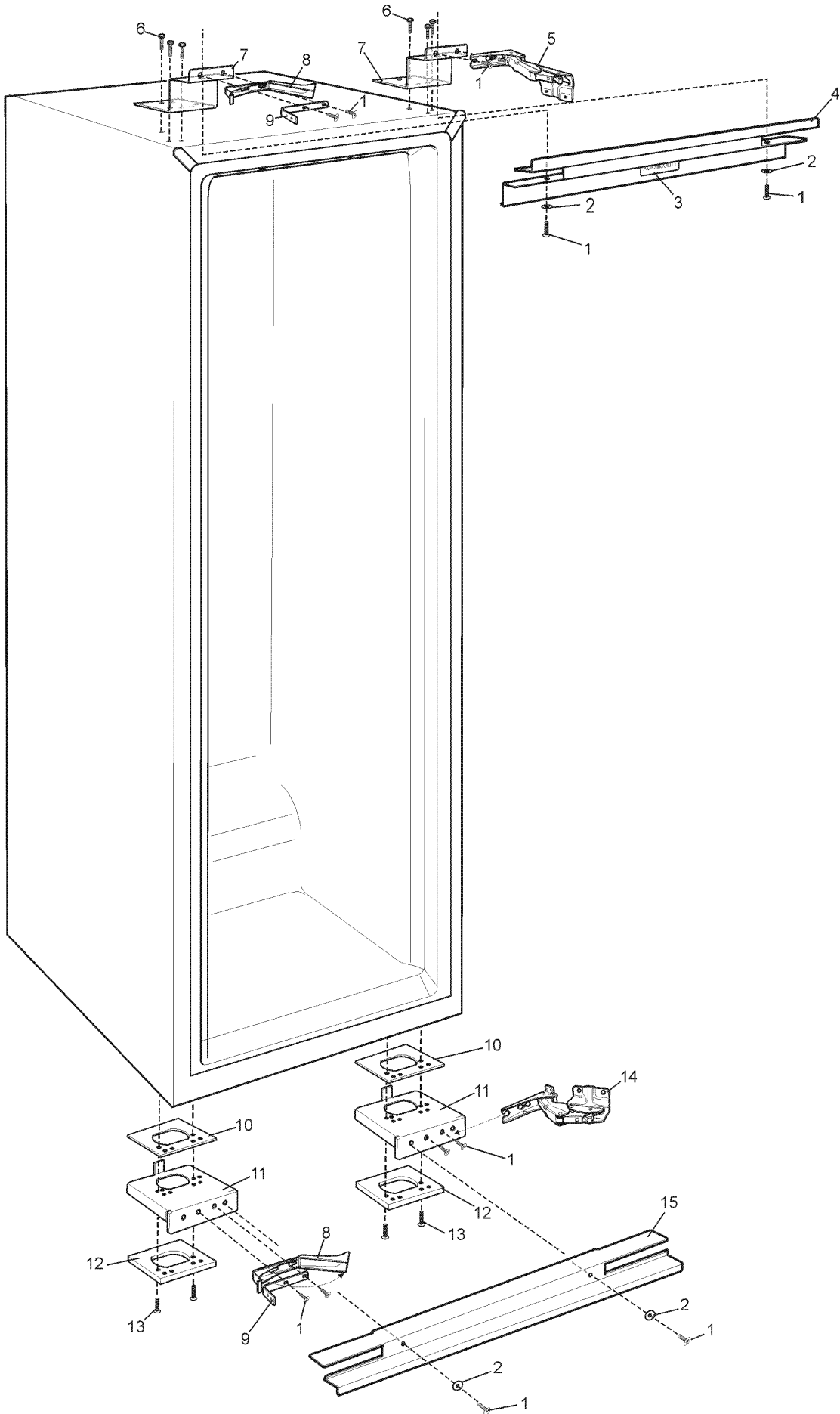
The illustration is of a right hand opening cabinet. For a left hand opening cabinet the hinges are swapped over.

The following table is for identification of parts only. Only some Individual parts will be available.

ITEM	PART N°	DESCRIPTION	Ex. 6364	QTY
1	<b>521616016</b>	Washer		2
2	<b>229003201</b>	Hexagonal Nut		2
3	<b>*223427209</b>	Cover, Door Bracket		1
4	<b>229001304</b>	Wood Screw		33
5	<b>*221216606</b>	Door Hanger Bracket		1
6	<b>223427403</b>	Clamp Cover		8
7	<b>1450917</b>	Screw, M4 x 8 Pan Hd Phillips		16
8	<b>221118704</b>	Interior Clamp		8
9	<b>221123402</b>	Adjustable Screw		2
10	<b>1450916</b>	Screw, M4 x 10 Pan Hd Phillips		8
11	<b>1450824</b>	Hettich Hinge Top RH		1
12	<b>1450823</b>	Hettich Hinge Bottom RH		1
<b>Note * EFM3001 Built in Kit Assy. P/N° 1458525</b>				

MODEL: EFM3001WD

EX. VIEW DRAWING 6363  
INSTALLATION KIT



The illustration is of a right hand opening cabinet. For a left hand opening cabinet the hinges are swapped over.

The following table is for identification of parts only. Only some Individual parts will be available.

ITEM	PART N°	DESCRIPTION	Ex. 6363	QTY
1	<b>1450915</b>	Screw, M5 X 12		12
2	<b>1450918</b>	Washer Nylon M5		4
3	<b>*1451554</b>	Name Plate Global		1
4	<b>*1450803</b>	Cover, Top Hinge Bracket		1
5	<b>1450824</b>	Hettich Hinge Top RH		1
6	<b>1449414</b>	Screw		6
7	<b>1450795</b>	Mounting Bracket, Top Hinge		2
8	<b>223035804</b>	Interior Spacer		2
9	<b>1450807</b>	Side Bracket		2
10	<b>1450806</b>	Spacer, Bottom Hinge		2
11	<b>1450798</b>	Mounting Bracket, Bottom Hinge		2
12	<b>1441916</b>	Spacer Roller Strikeside		2
13	<b>1449409</b>	Screw, Lower Hinge		4
14	<b>1450823</b>	Hettich Hinge Bottom RH		1
15	<b>*1450802</b>	Cover, Bottom Hinge Bracket		1
N.I.	<b>225027903</b>	Template Assy.		2
<b>Note * EFM3001 Built in Kit Assy. P/N° 1458525</b>				



***Release Date:***

**EFM3001WD-X 5/2012**