

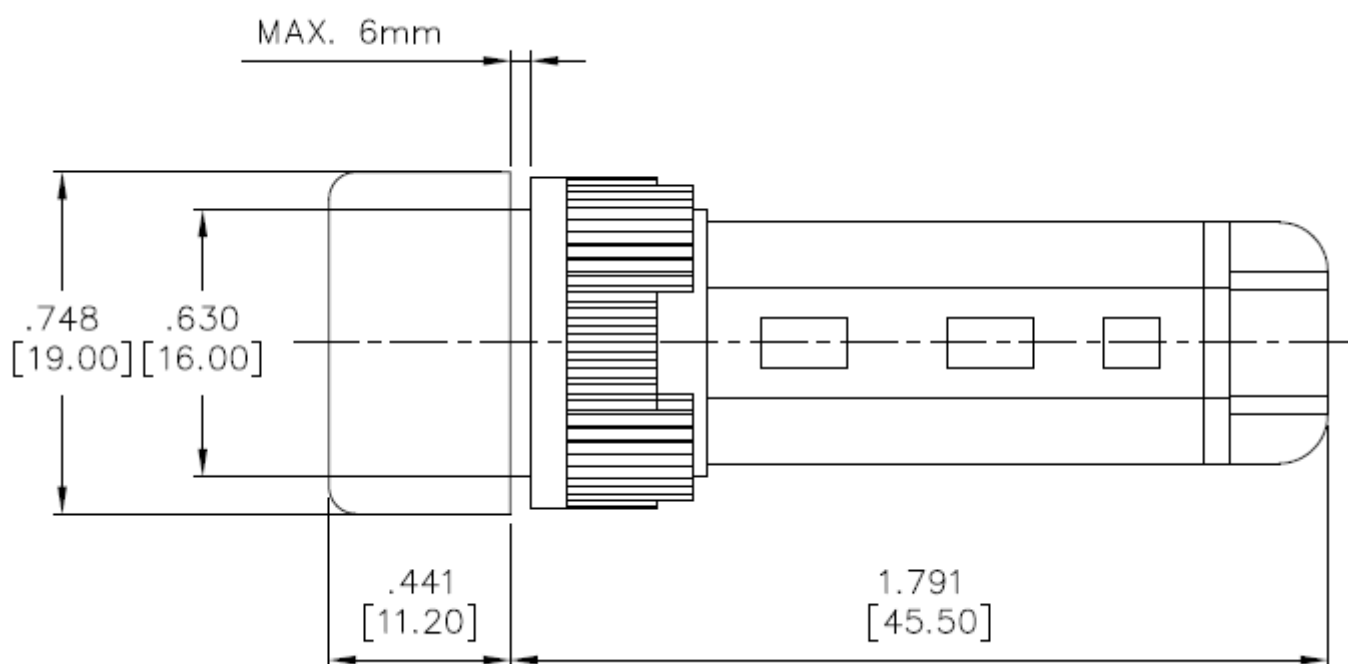


Product Datasheet

Indicator Buzzer

Flicker Annunciator 16mm Intermittent

ENGLISH





Package Contain:

- 1 x Indicator Buzzer
- 1 x Nut
- 1 x O-Ring

Specification:

SWITCH TYPE:		8772015
TERMINAL TYPE:		Screw
SOUND TYPE:		Flicker Intermittent buzz
PRODUCT CHARACTERISTICS	CONTACT RATING:	MAX. 2mA @ 220VAC
	SOUND INTENSITY:	>=80dB at 0.1 meter away
	INSULATION RESISTANCE:	5M-ohms for $U_i \leq 60V$, 50M-ohms for $60V < U_i \leq 660V$
	DIELECTRICAL STRENGTH:	2,000VAC (50Hz-60Hz) RMS @ sea level shall result no damage to parts arcing or flashover
	OPERATING TEMPERATURE:	-20Celsius degree to +55Celsius degree
	TORQUE:	5~10Nm max. applied to nut
	PANEL THICKNESS:	1 ~ 10mm
	IP PROTECTION CLASS:	Front panel protection to IP40
	ELECTRICAL LIFE:	30,000 hours min.
	SOLDERING HEAT RESISTANCE:	Max soldering temperature @ 260Celsius degree, immersion time 5+/-1sec, frequency of soldering process @ 2 times max.
	COLD TEST:	Stored at temperature -20(+/-3)Celsius degree for 48 hours, shall result no changes to switch's electrical performance
	HOT TEST:	Stored at temperature +55(+/-3)Celsius degree for 48 hours, shall result no changes to switch's electrical performance
HUMIDITY TEST:	Stored at temperature 40(+/-3)Celsius degree with relative humidity 90%~95% for 48 hours, shall result no changes to switch's electrical performance	



MATERIAL CHARACTERISTICS	COVER:	PC
	BODY:	PC
	BASE:	PA66
	TERMINALS:	Brass, silver plated
	HARDWARE:	Nut (PC)
SOLDERING & CLEANING RECOMMENDATION	HAND SOLDERING:	Hand soldering 30 watts max. for 3sec., no pressure shall be applied on terminal while soldering
	CLEANING PROCESS:	Noted, the switch is "not totally sealed" so it is important not to immerse/spray or clean unsealed areas of the switch during flux removal. Improper cleaning could cause switch deficiencies such as intermittence or open contact failures
PACKAGE	INTERNAL PACKAGING:	1pcs per PE bag
	RoHS IDENTIFI-CATIONS:	A label marking "RoHS compliant" will be attached to the carton box.