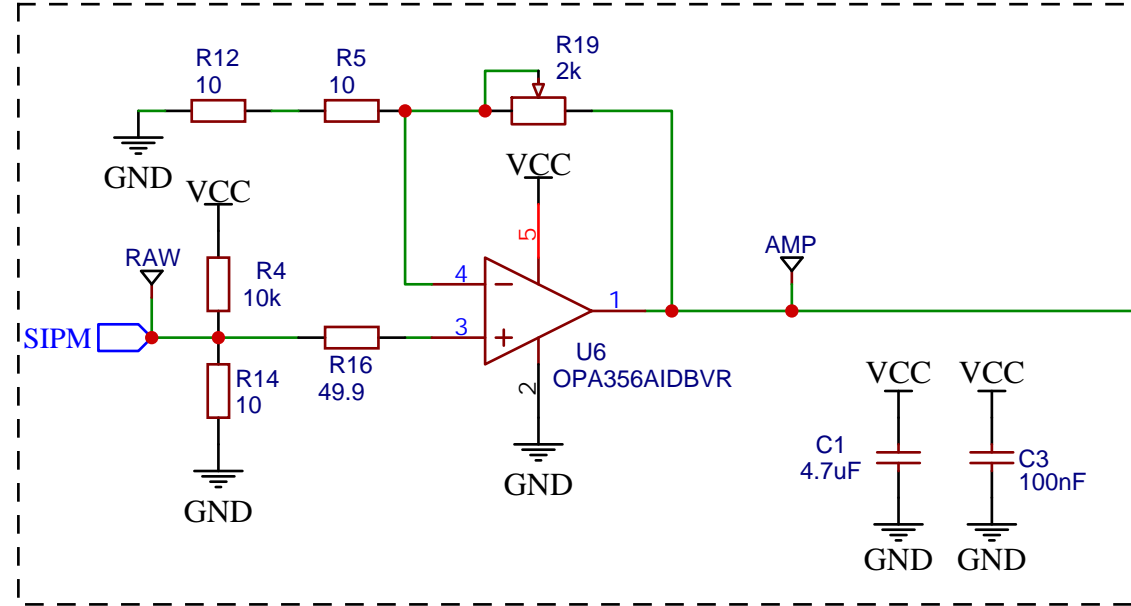
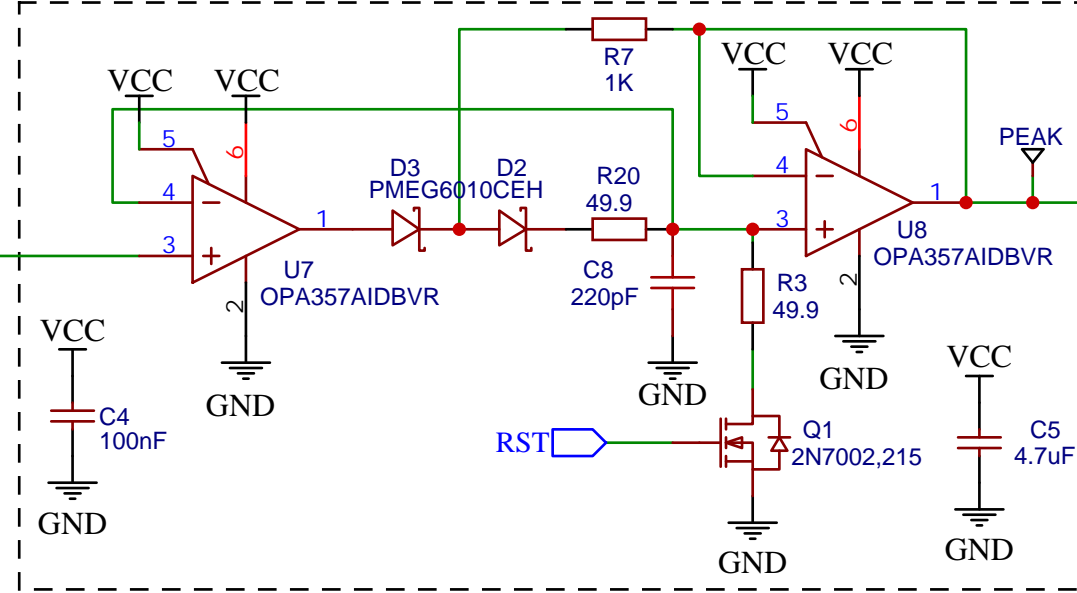


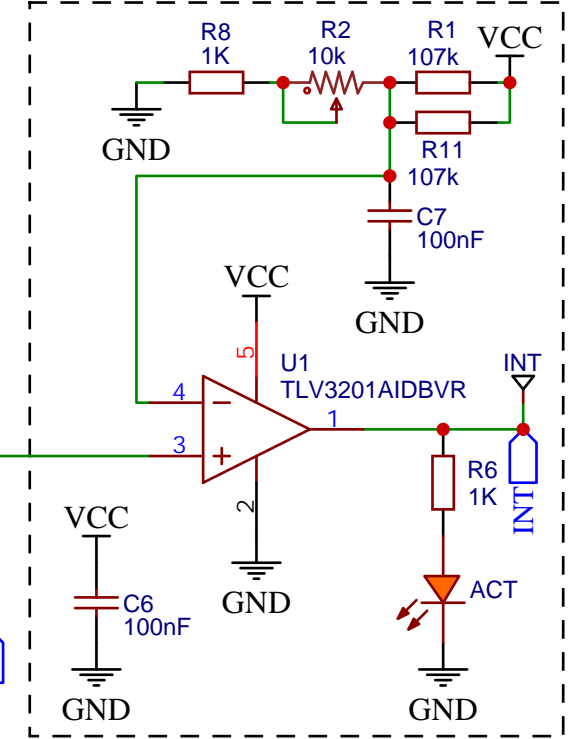
Preamplifier



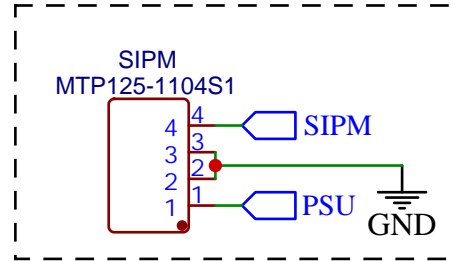
Sample and Hold / Peak Detector



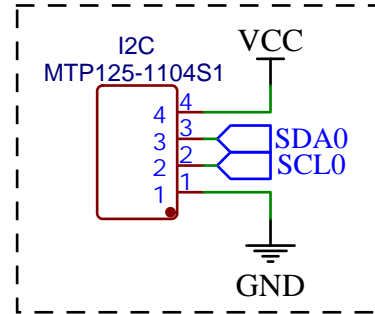
Pulse Discriminator



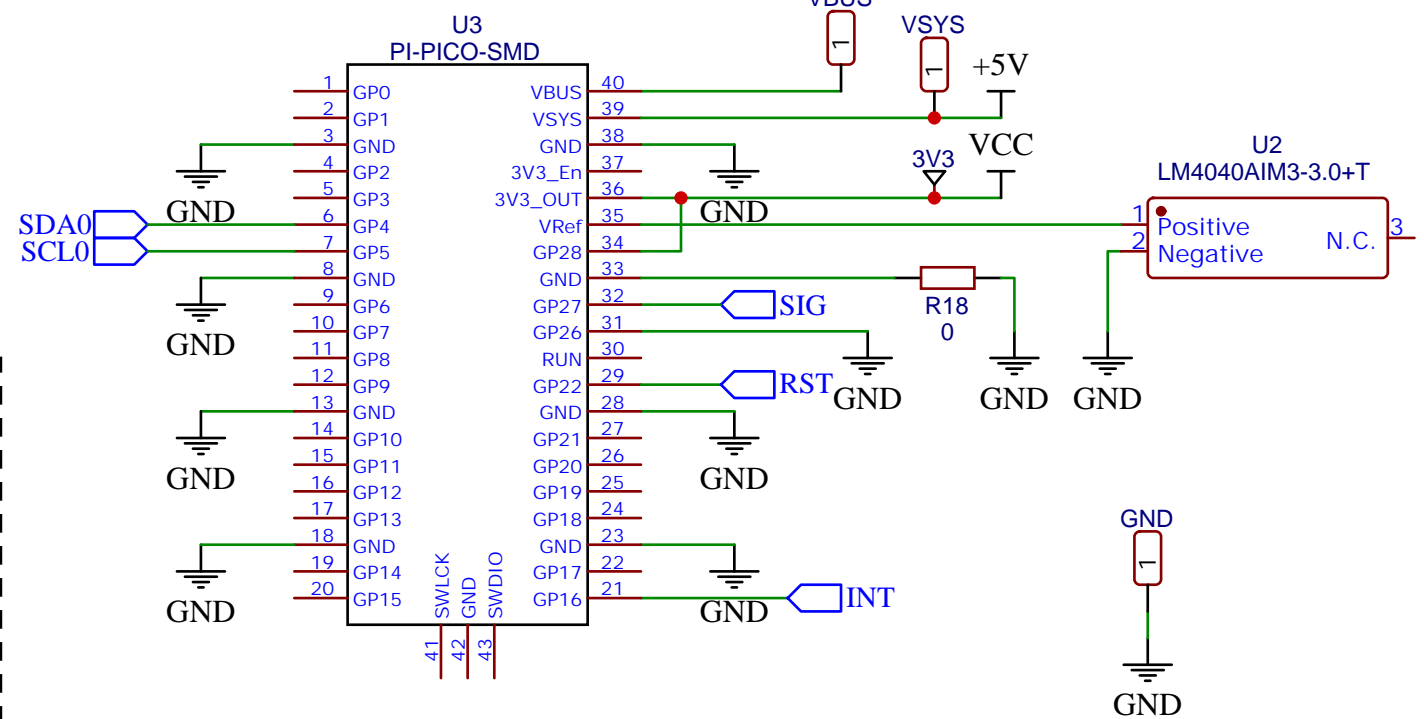
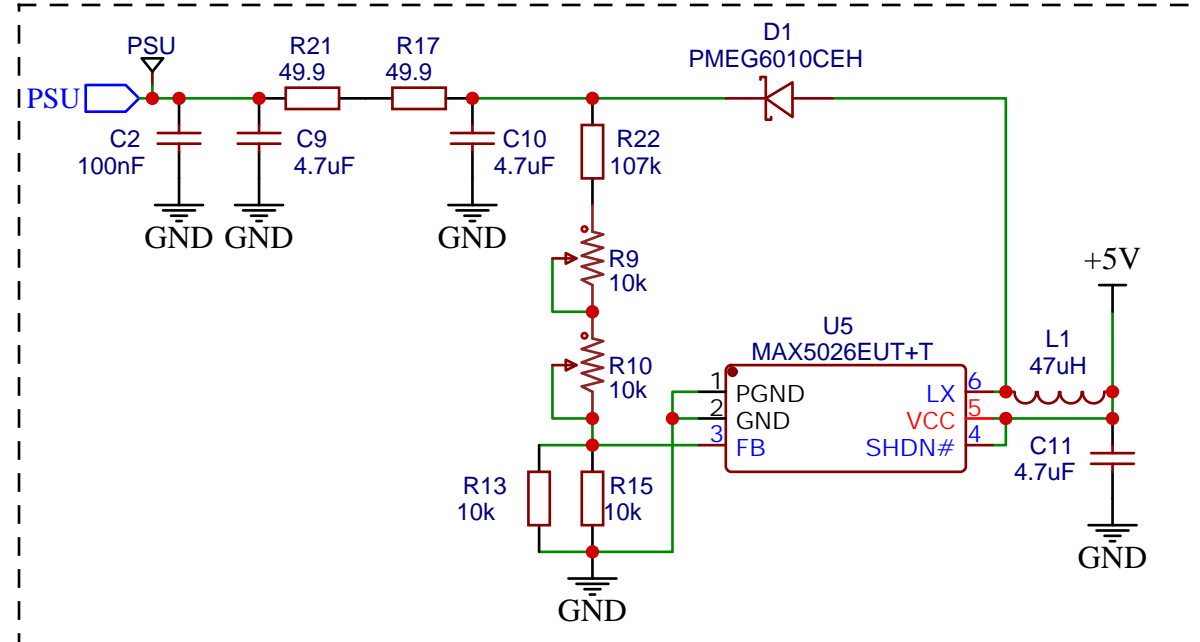
SiPM Connections



Optional I2C Out



SiPM POWER (not temperature corrected) 28 - 33 V



| | | |
|----------------------------|--|--------------------------|
| TITLE: Open Gamma Detector | | REV: 2.0 |
| Company: - | | Sheet: 1/1 |
| Date: 2022-07-04 | | Drawn By: NuclearPhoenix |