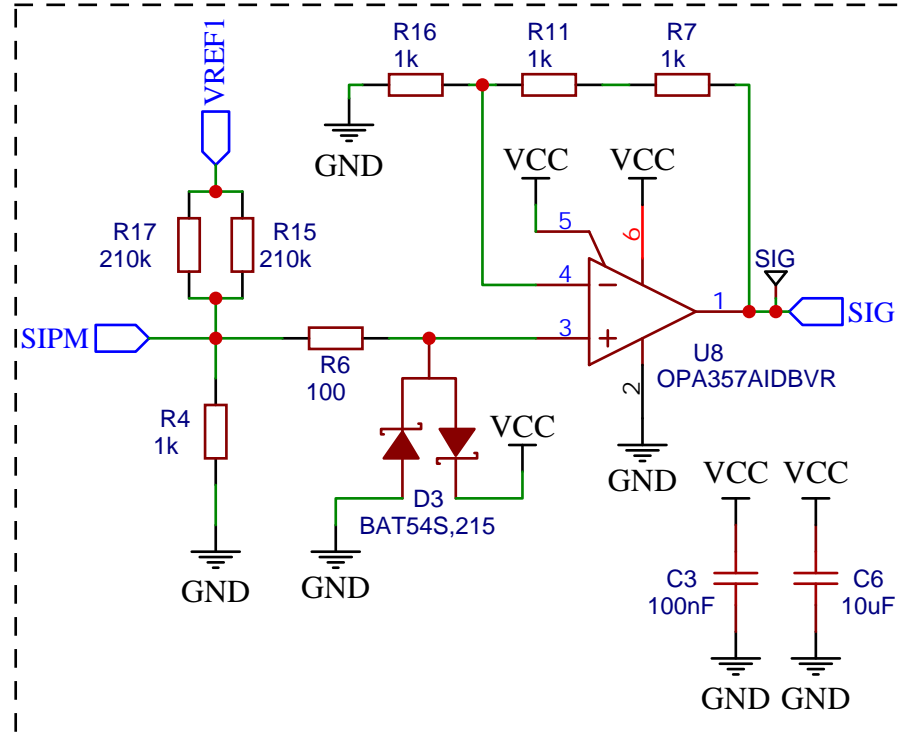
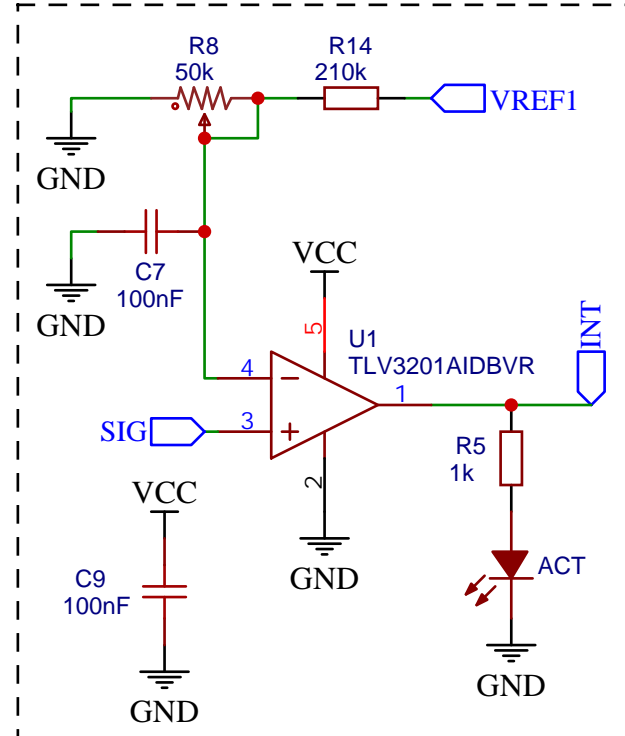


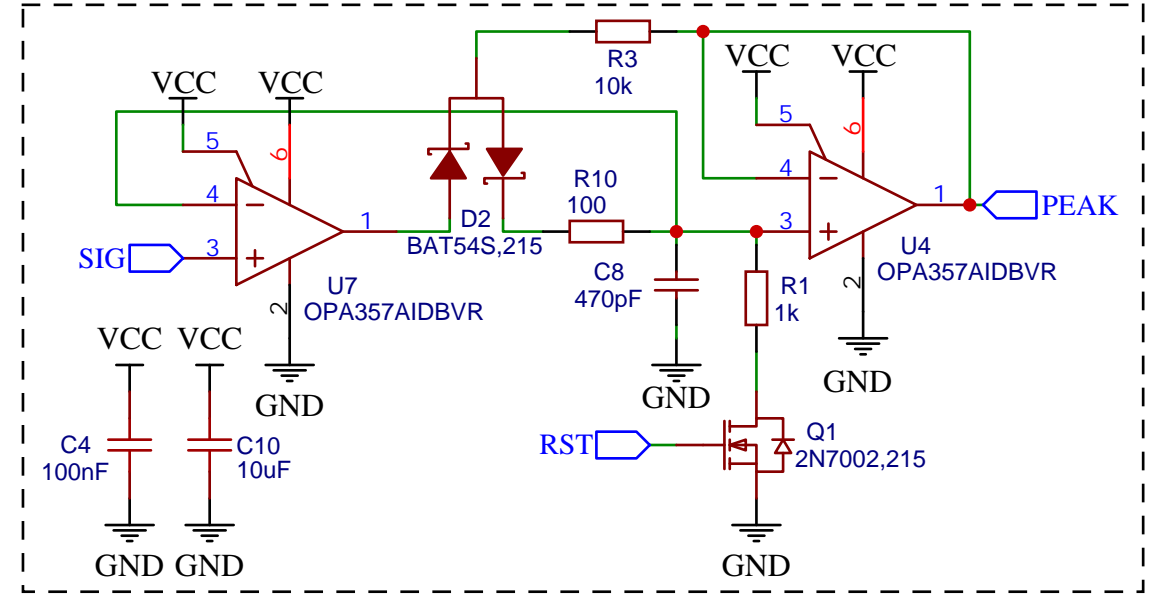
SiPM Output and Preamp



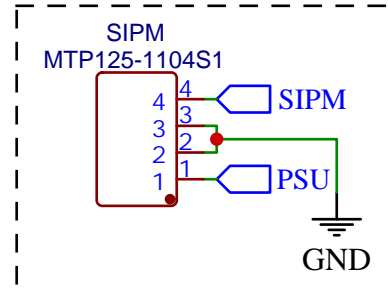
Pulse Discriminator (~0 - 577 mV)



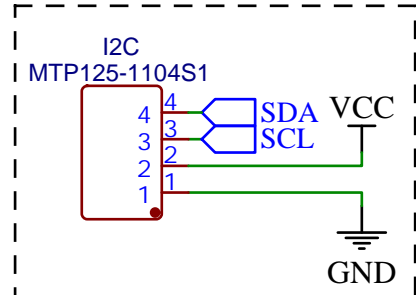
Sample and Hold / Peak Detector



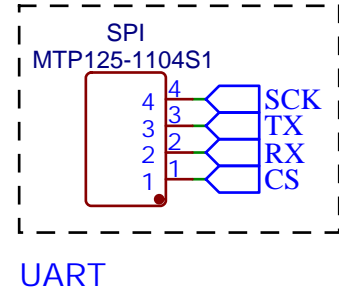
SiPM Connections



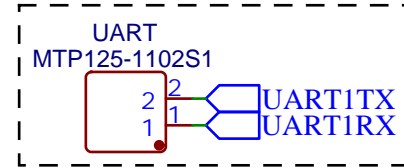
I2C



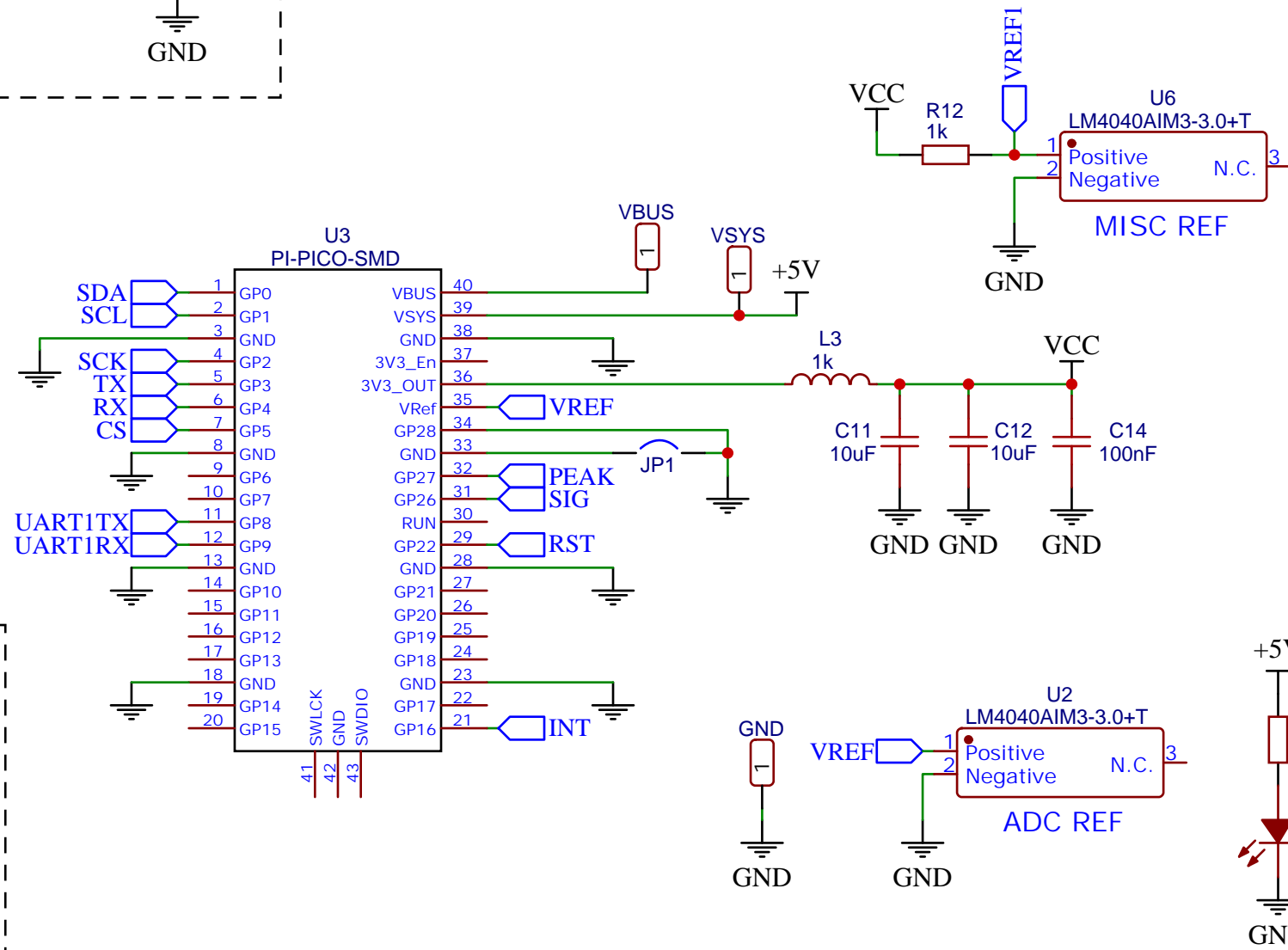
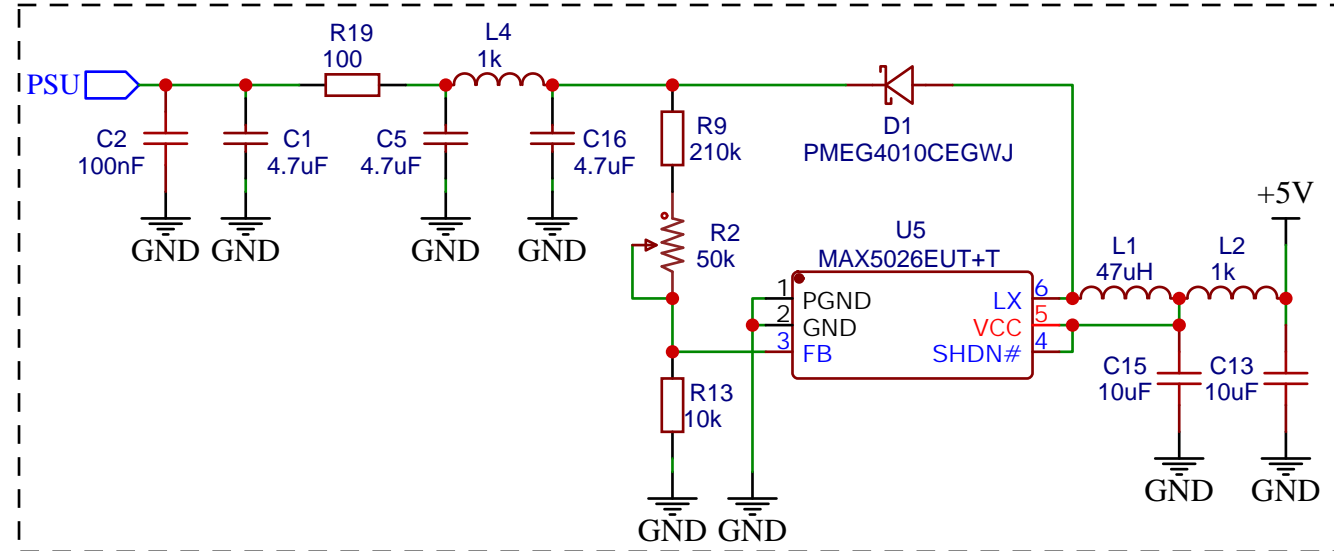
SPI



UART



SiPM Bias 27.5 - 33.75 V (not temp corrected)



TITLE: Open Gamma Detector		REV: 3.0
Company: -		Sheet: 1/1
Date: 2022-02-25	Drawn By: NuclearPhoenix	