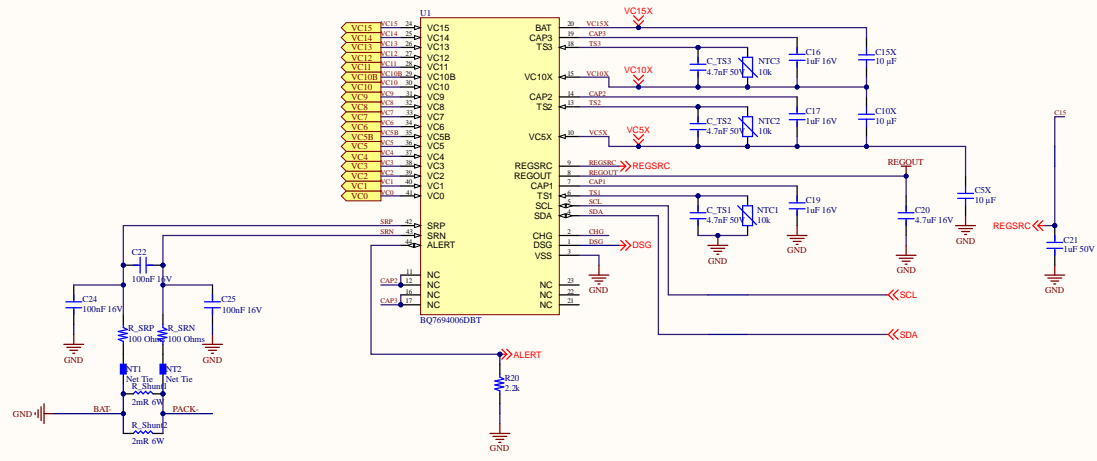


D

D

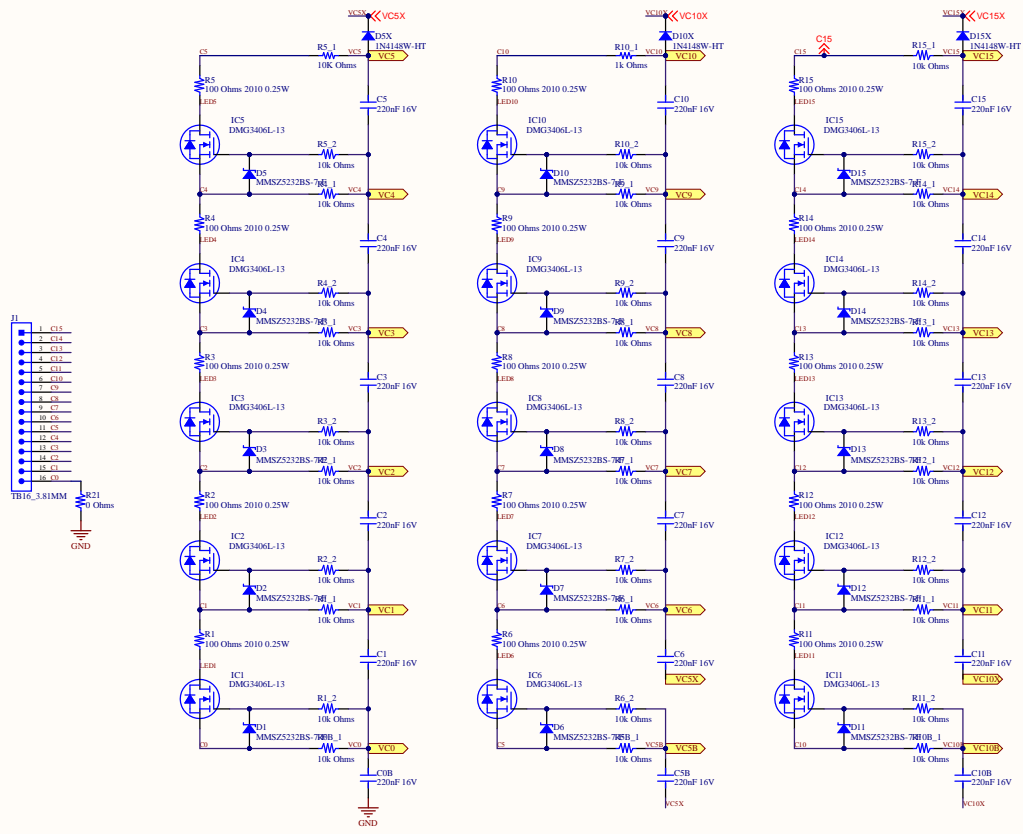


C

C

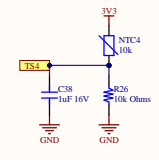
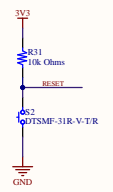
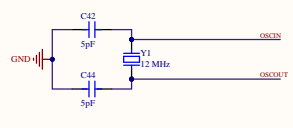
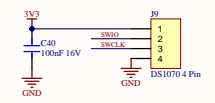
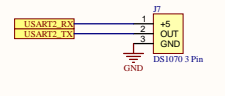
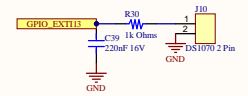
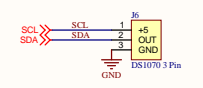
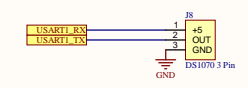
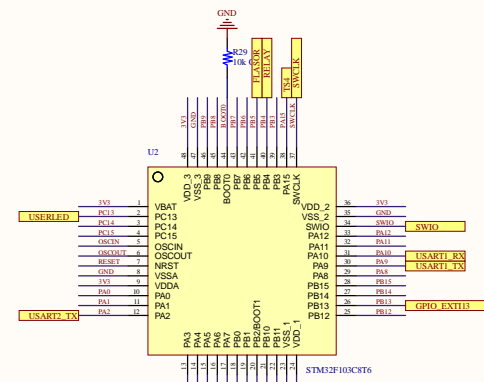
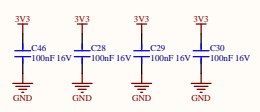
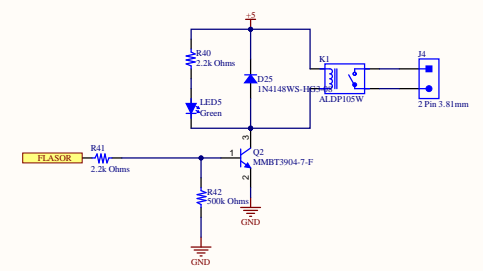
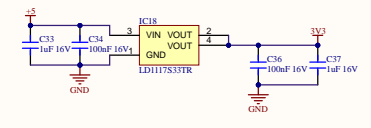
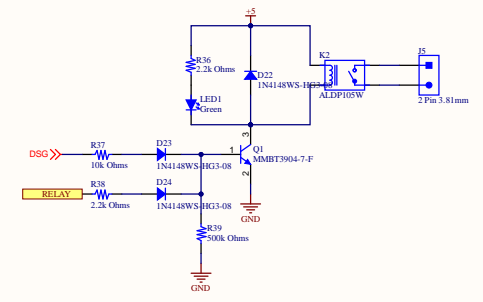
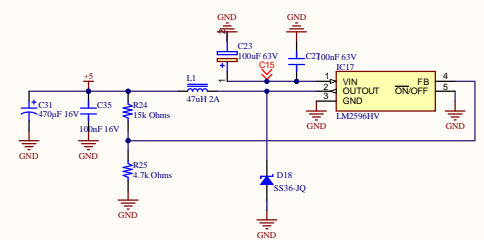
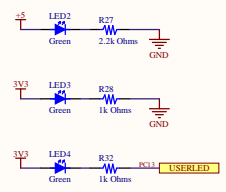
B

B



A

A



Comment	Description	Designator	Footprint	LibRef	Quantity
220nf 16V		C08, C1, C2, C3, C4, C5, C5B, C6, C7, C8, C9, C10, C10B, C11, C12, C13, C14, C15, C39	0805_CAP	CAP_0805	19
10 µF	CAP CER 10UF 35V XSR 1210	CSX, C10X, C15X	CAP 1210_3225 - 1MM	CL32A106KLULNNE	3
1µF 16V	CL10B105K08N11NC - MLCC (1608) 0603 1µF 16VDC ±10% X7R	C16, C17, C19	0603_CAP	CAP_0603	3
4.7µF 16V		C20	0805_CAP	CAP_0805	1
1µF 50V		C21	0805_CAP	CAP_0805	1
100nf 16V		C22, C24, C25, C28, C29, C30, C34, C35, C36, C40, C46	0805_CAP	CAP_0805	11
100µF 63V	Capacitor Polarised	C23	CAPAE1030X1060N	CK1H2211M-CRG10	1
1000µF 63V		C27	0805_CAP	CAP_0805	1
470µF 16V	CAP ALUM 470UF 20% 16V SMD	C31	CAP ALSMD 8.3MM H10.5MM	UW71H101MML1GS	1
1µF 16V		C33, C37, C38	0805_CAP	CAP_0805	3
5pF		C42, C44	0805_CAP	CAP_0805	2
4.7nF 50V		C_TST, C_TST2, C_TST3	0805_CAP	CAP_0805	3
MMSZ5232BS-7-F	DIODE ZENER 5.6V 200MW SOD323	D1, D2, D3, D4, D5, D6, D7, D8, D9, D10, D11, D12, D13, D14, D15	SOD323	MMSZ5232BS-7-F	15
1N4148W-HT	DIODE GEN PURP 75V 150MA SOD123	DSX, D10X, D15X	SOD-123	1N4148W-HE3-18	3
SS36-JQ	TVS DIODE 188V 323V SMA	D18	DO214AC SMA	SMA6J188A-TR	1
1N4148WS-HG3-08	SWITCHING DIODE GENPURP SOD323-H	D22, D23, D24, D25	SOD323	1N4148WS-HG3-08	4
DMG3406L-13	MOSFET N-CH 30V 3.6A SOT23	IC1, IC2, IC3, IC4, IC5, IC6, IC7, IC8, IC9, IC10, IC11, IC12, IC13, IC14, IC15	DIODES SOT-23-3	DMG3406L-13	15
LM2596HV	Integrated Circuit	IC17	TO-263-5	LM2596	1
LD1117S33TR	IC REG LINEAR 3.3V 800MA SOT223	IC18	ST SOT-223	LD1117S33TR	1
TB16_3.81MM	16P	J1	TB16_3.81mm	TB16_3.81MM	1
2 Pin 3.81mm	1SEDCRC-3.81-02P-11 00AH TERM BLK 3.81MM 2P 90C MALE GRAY CLOSED	J4, J5	TB2_3.81MM	TBLOCK2 3.81MM	2
DS1070 3 Pin	3pin connection	J6, J7, J8	3pin_100mil	RPM_sensor_3pin	3
DS1070 4 Pin		J9	4PIN_100MIL	4pin_DS1070_2.54	1
DS1070 2 Pin	2pin Socket 100mil	J10	2PIN_100mil	2pin Socket	1
ALDP105W	ALDP105W - RELAY 5A 5V 1a PANASONIC	K1, K2	ALDP105W	Relay 5V	2
47µH 2A	FIXED IND 47UH 2.9A 80 MOHM SMD	L1	BOURNS SRR1280	Inductor	1
Green	0805	LED1, LED2, LED3, LED4, LED5	0805LED	LED	5
10k		NTC1, NTC2, NTC3, NTC4	2PIN_100mil	NTC	4
MMBT3904-7-F	TRANS NPN 40V 0.2A SMD SOT23-3	Q1, Q2	DIODES SOT-23-3	MMBT3904-7-F	2
10k Ohms		ROB_1, R1_1, R1_2, R2_1, R2_2, R3_1, R3_2, R4_1, R4_2, R5_2, R5B_1, R6_1, R6_2, R7_1, R7_2, R8_1, R8_2, R9_1, R9_2, R10_2, R10B_1, R11_1, R11_2, R12_1, R12_2, R13_1, R13_2, R14_1, R14_2, R15_1, R15_2	0603	1k Ohms	31
100 Ohms 2010 0.25W	201007J0330T4E - RES (5025) 2010 33 Ohms 5% 3/4W-S 200PPM	R1, R2, R3, R4, R5, R6, R7, R8, R9, R10, R11, R12, R13, R14, R15	2010	33 Ohms 2010 0.75W	15
10k Ohms	TNPV0805 499K 0.1% T-9 ET1 E3	R5_1, R10_1	RES 0805_2012	TNPV0805499KBEEA	2
2.2k	0805	R20	0805_RES	RES_0805	1
0 Ohms	0805	R21	0805_RES	RES_0805	1
15k Ohms	0805	R24	0805_RES	RES_0805	1
4.7k Ohms	0805	R25	0805_RES	RES_0805	1
10k Ohms	0805	R26, R29, R31, R37	0805_RES	RES_0805	4
2.2k Ohms	0805	R27, R36, R38, R40, R41	0805_RES	RES_0805	5
1k Ohms	0805	R28, R30, R32	0805_RES	RES_0805	3
500k Ohms	0805	R39, R42	0805_RES	RES_0805	2
2mR 6W	3920	R_Shunt1, R_Shunt2	3920	Shunt	2
100 Ohms	0805	R_SRN, R_SRP	0805_RES	RES_0805	2
DTSMF-31R-V-T/R	DTSMF-31R-V-T/R - SWITCH TACT 6.00x3.50 4.30mm 260gf SMT V/T	S2	Button	DTSMF-31R-V-T/R	1
BO7694006DBT	Battery Monitor for Lithium-Ion and Phosphate Battery Packs, DBT004A	U1	TSSOP44	BO7694006DBT	1
STM32F103C8T6	IC-32F103 ARM 64KB FLASH MEM 48-LQFP	U2	LOFP48	STM32F103C8T6	1
12 MHz	CRYSTAL 12.0000MHZ 18PF SMD	Y1	NDK NX5032GA	NX5032GA-12.000000MHZ-LN-CD 1	1