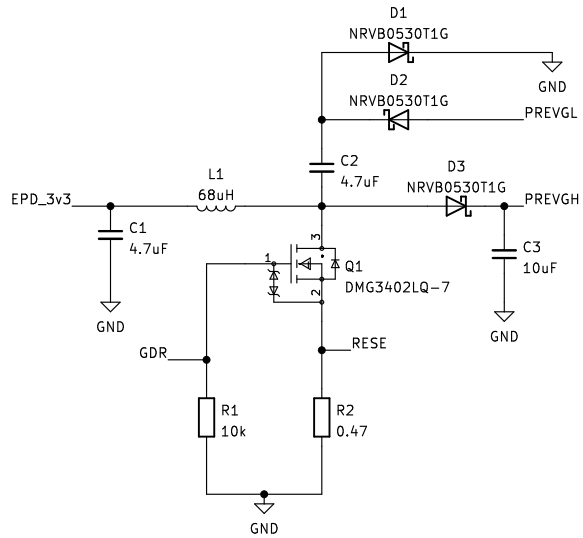
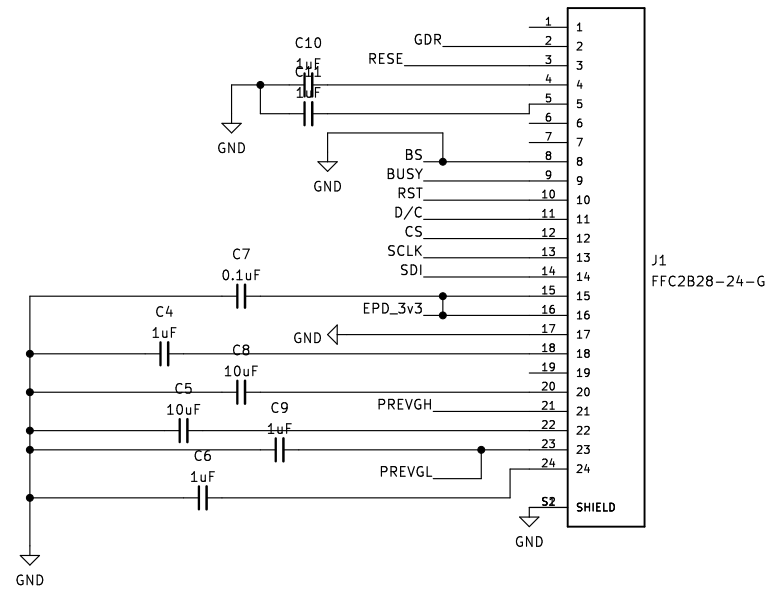


Different type of ZIF connector with larger lever  
Adjust ZIF connector position slightly  
Add orientation markings for diodes to silk screen

Sheet: /		
File: epaper_postcard.kicad_sch		
<b>Title:</b>		
Size: A4	Date:	<b>Rev:</b>
KiCad E.D.A. kicad (5.99.0-12610-g07e01e6297)		Id: 1/5



EPD\_3v3 —> EPD\_3v3  
 BUSY —> BUSY  
 RST —> RST  
 D/C —> D/C  
 CS —> CS  
 SCLK —> SCLK  
 SDI —> SDI



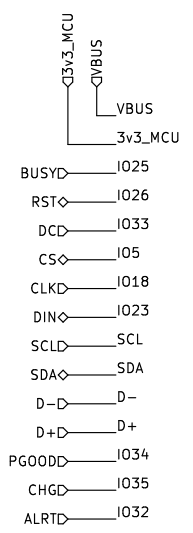
Sheet: /epaper/  
 File: GD\_epaper.kicad\_sch

**Title:**

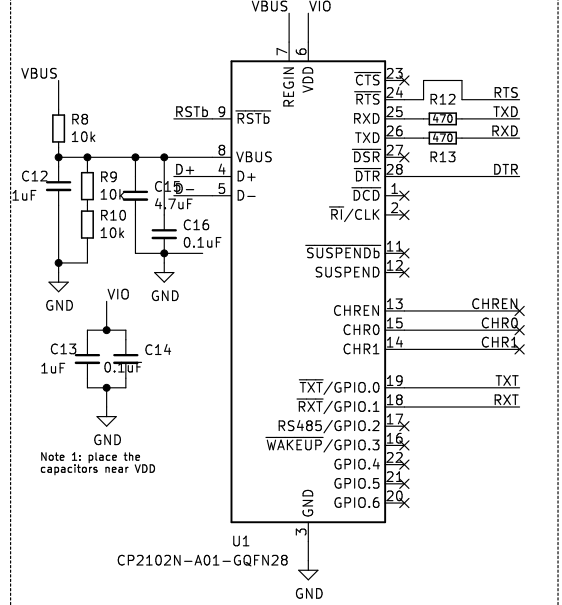
Size: A4      Date:  
 KiCad E.D.A. kicad (5.99.0-12610-g07e01e6297)

**Rev:**  
 Id: 3/5

**Interface**

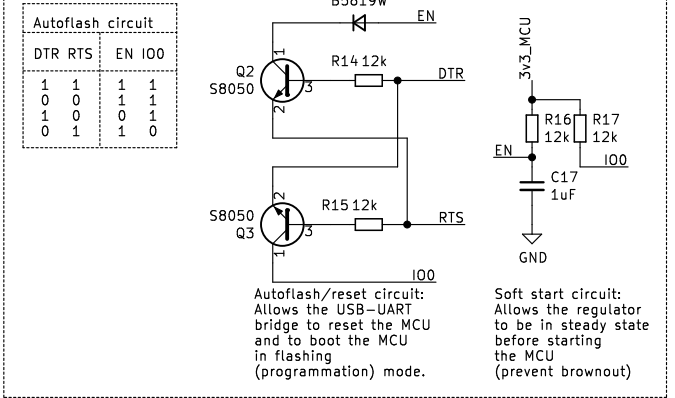


**USB - UART bridge**

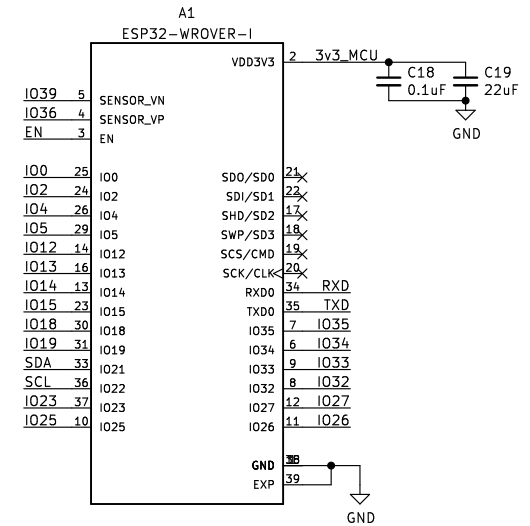


USB - UART bridge:  
Allows the MCU to communicate and to be flashed (programmed) via the USB bus

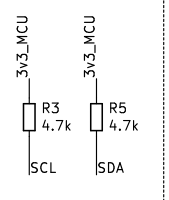
**Autoflash/reset circuit and soft start circuit**



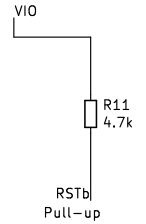
Top of the board



**I<sup>2</sup>C pull-up resistors**

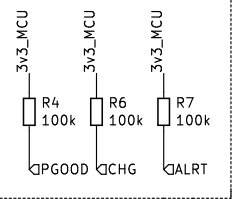


**Transmit and Receive Toggle**



Indicator LEDs showing the serial bus status.  
An RSTb pull-up resistor

**Charge pull-up resistors**



Licence: CERN-OHL-W

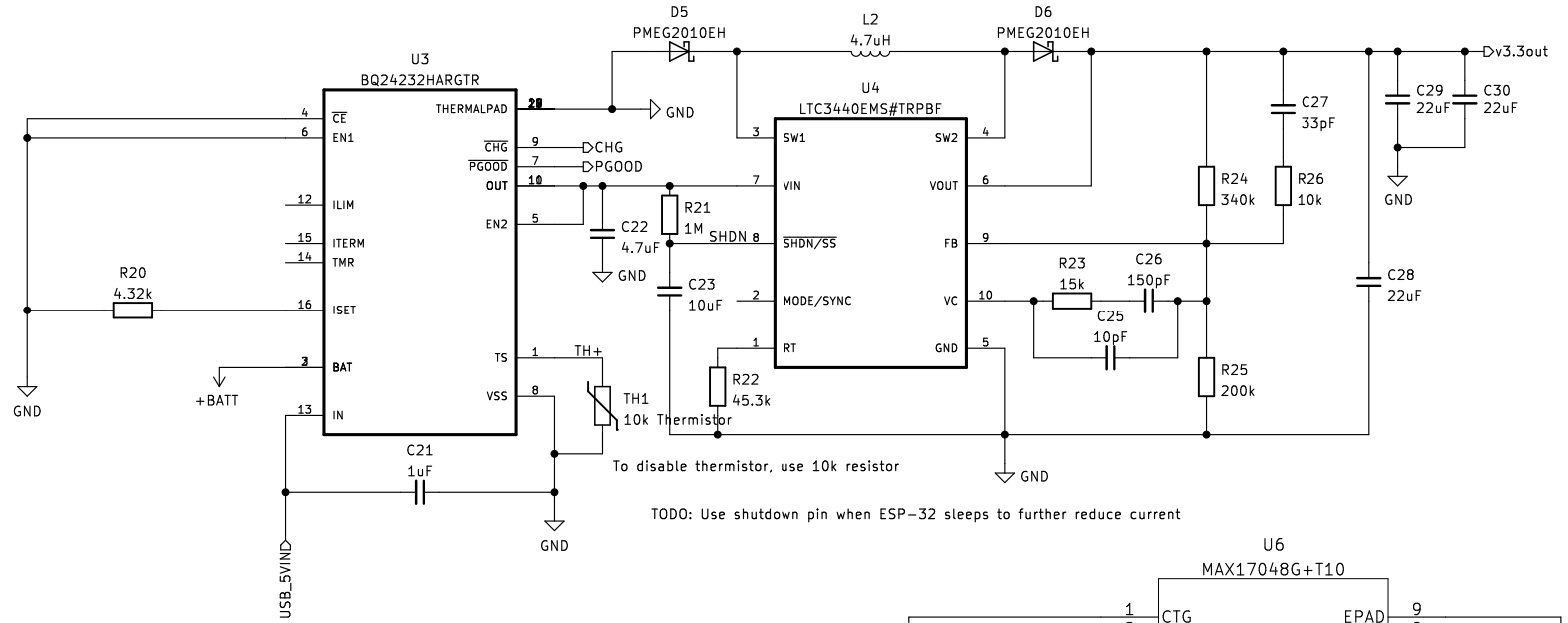
Sheet: /esp32\_usb/  
File: esp32\_usb.kicad\_sch

**Title: SuperPower-uC**

Size: A4 Date: 2020-10-27  
KiCad E.D.A. kicad (5.99.0-12610-g07e01e6297)

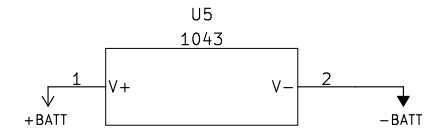
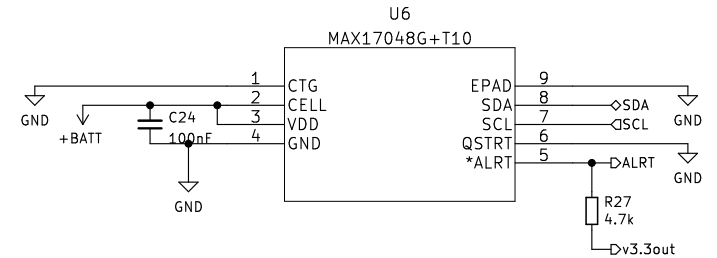
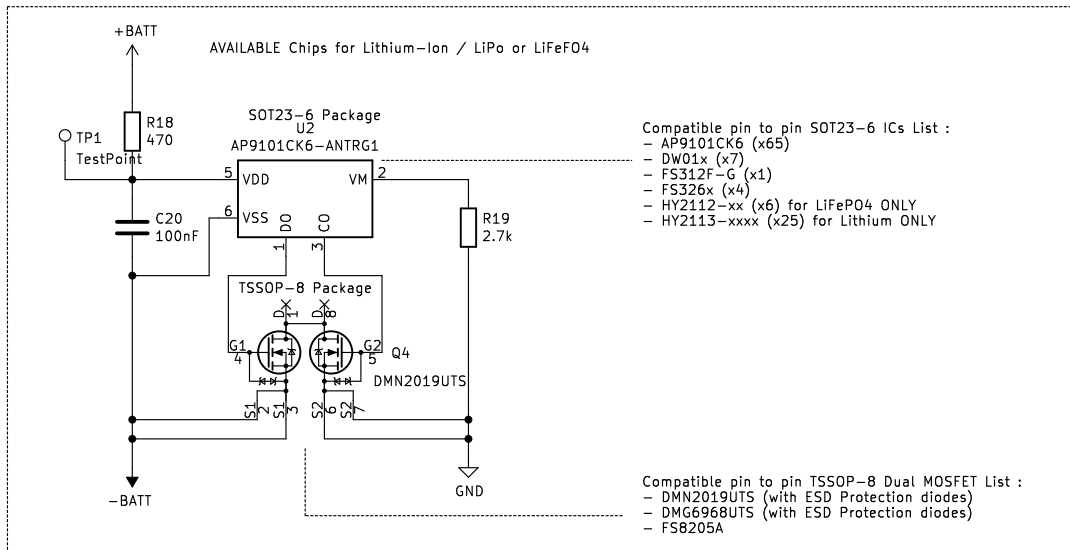
Rev: 0.1  
Id: 4/5

500mA charge limit  
50mA charge termination current  
5 hr fast charge time limit



TODO: Change battery protector to one with different dropout voltage, current one is a bit too conservative. Maybe better long term?  
TODO: MOVE decoupling capacitor

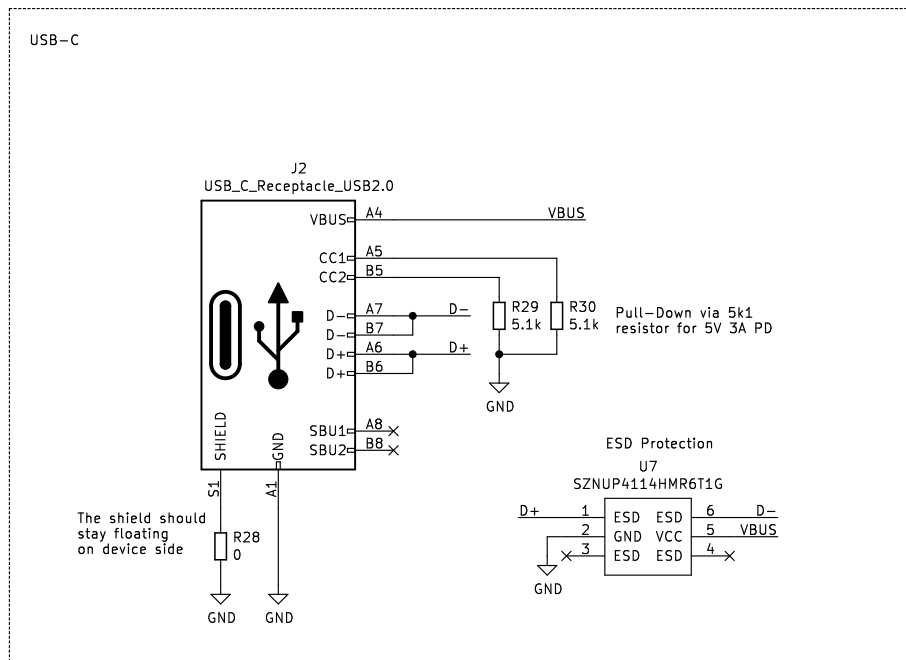
### Chip + Dual N-Mosfet Version



Sheet: /Battery and regulator/ File: battery.kicad_sch		
<b>Title:</b>		
Size: A4	Date:	<b>Rev:</b>
KiCad E.D.A. kicad (5.99.0-12610-g07e01e6297)		Id: 5/5

VBUS  $\square$  — VBUS

D+  $\square$  — D+  
D-  $\square$  — D-



Sheet: /USB\_C\_connector/  
File: USB\_C\_connector.kicad\_sch

**Title:**

Size: A4

Date:

KiCad E.D.A. kicad (5.99.0-12610-g07e01e6297)

**Rev:**

Id: 5/5