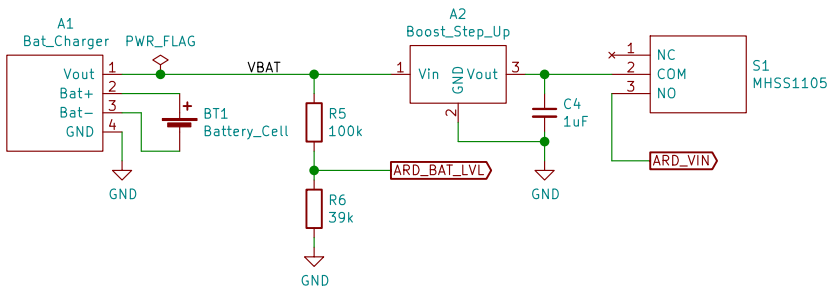
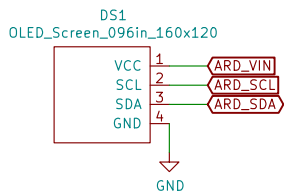


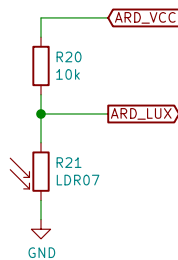
Power



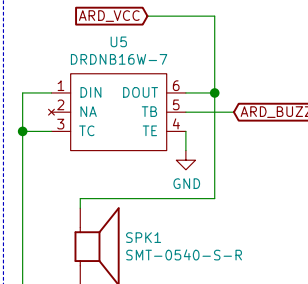
Screen



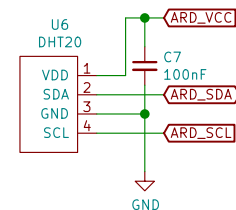
Lux



Buzzer

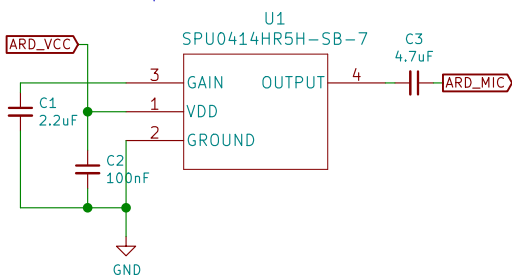


Temp/Hum

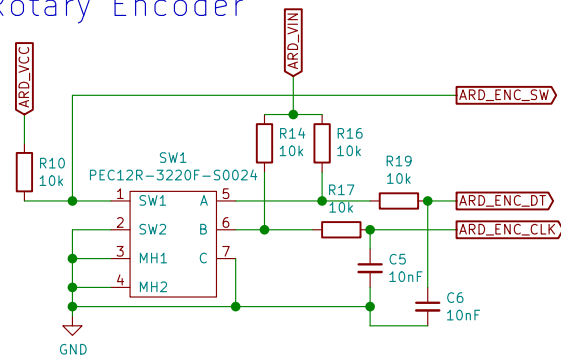


Pull-up resistors already included on screen circuit.

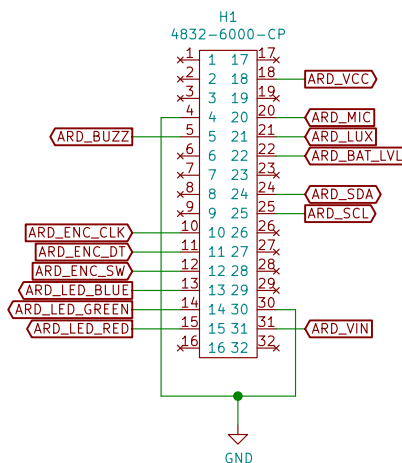
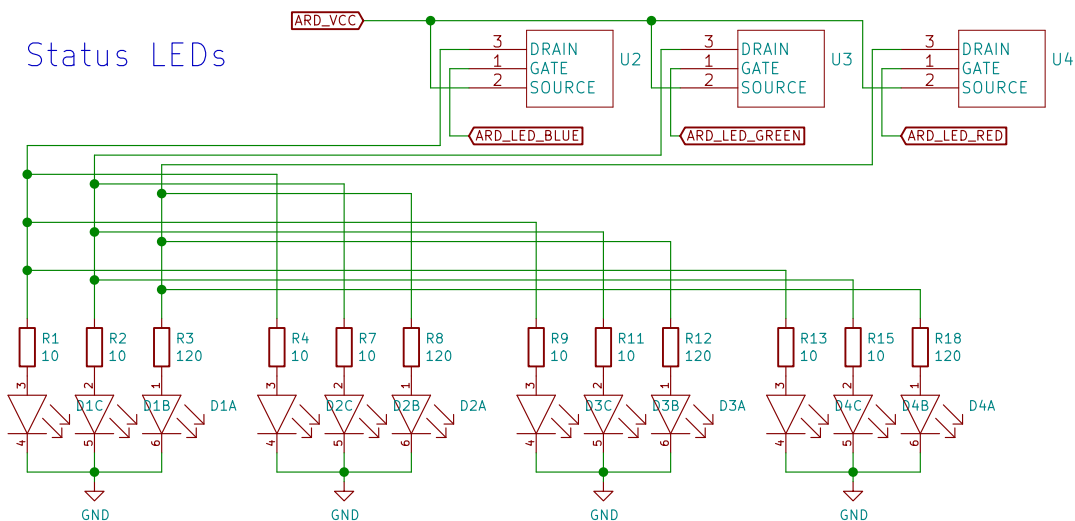
Microphone



Rotary Encoder



Status LEDs



Ricardo Tonet

Sheet: /
File: suricata_v1.0.sch

Title: Suricata Prototype v1.0

Size: A4 Date: 2022-01-21

KiCad E.D.A. kicad 5.1.9

Rev: 1.0

Id: 1/1