

Wheelchair Modification Project

TITLE

Horizontal Support

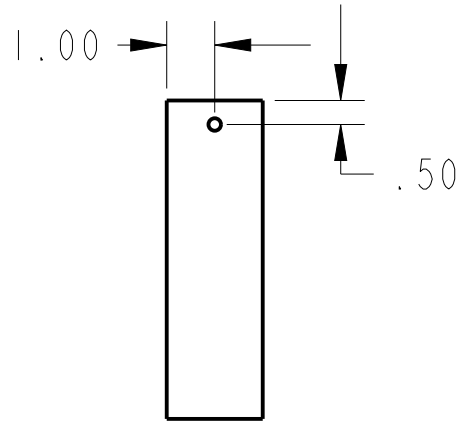
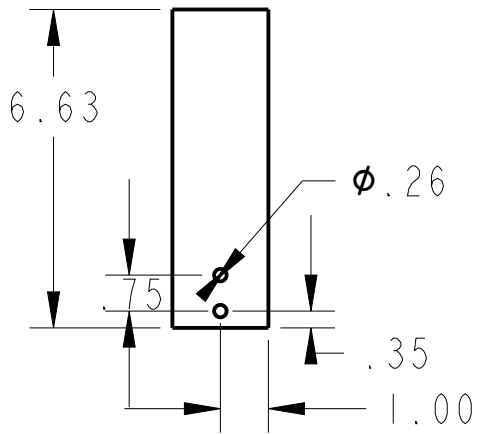
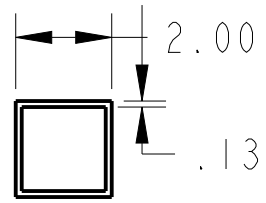
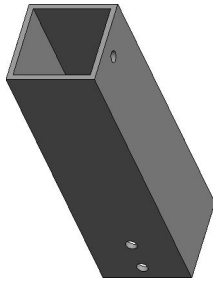
SIZE	CAGE CODE	DWG NO	REV
------	-----------	--------	-----

A

SCALE: 0.250

UNIT WT: [.2]

SHEET 1 OF 1



Wheelchair Modification Project

TITLE

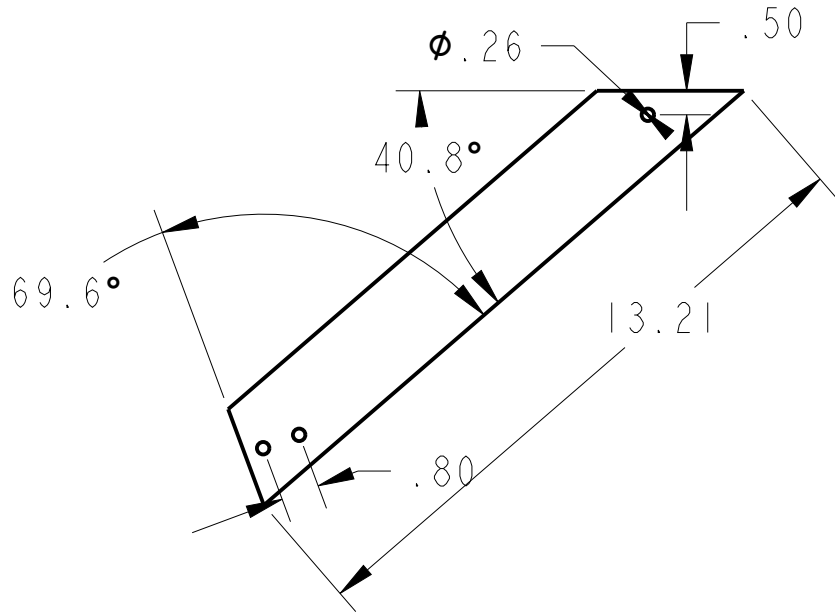
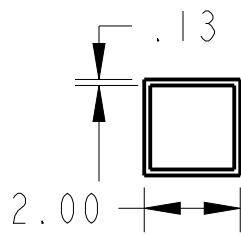
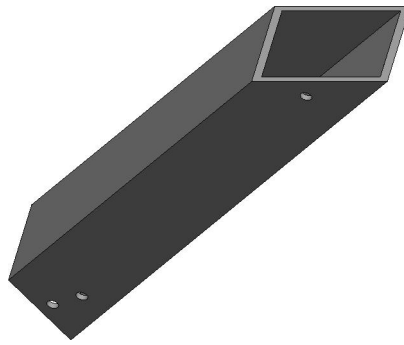
Vertical Support

SIZE	CAGE CODE	DWG NO	REV
A			

SCALE: 0.250

UNIT WT: [.2]

SHEET 1 OF 1

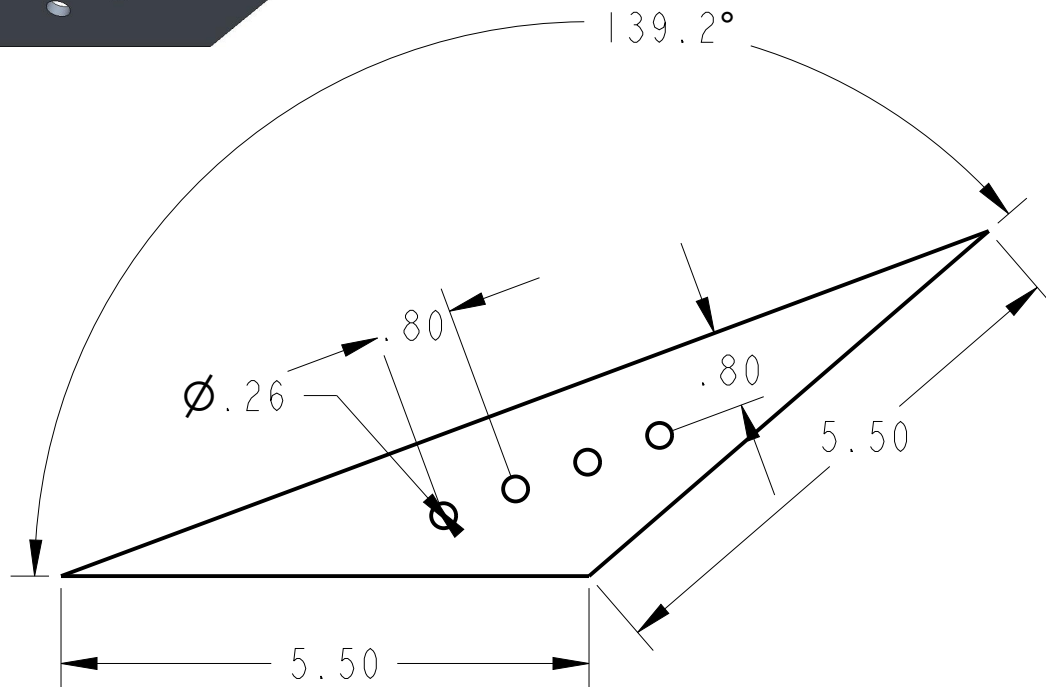
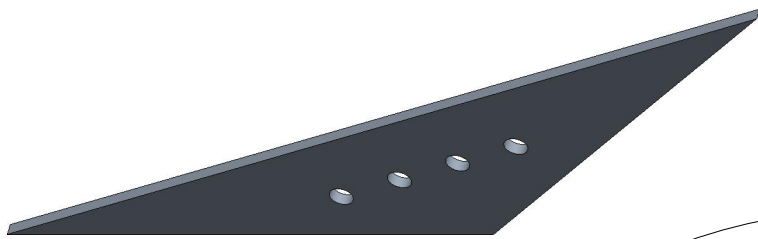


Wheelchair Modification Project

TITLE

Angle Support

SIZE	CAGE CODE	DWG NO	REV
A			
SCALE: 0.250	UNIT WT: [.2]	SHEET 1 OF 1	



Wheelchair Modification Project

TITLE

Triangle Bracket

SIZE

CAGE CODE

DWG NO

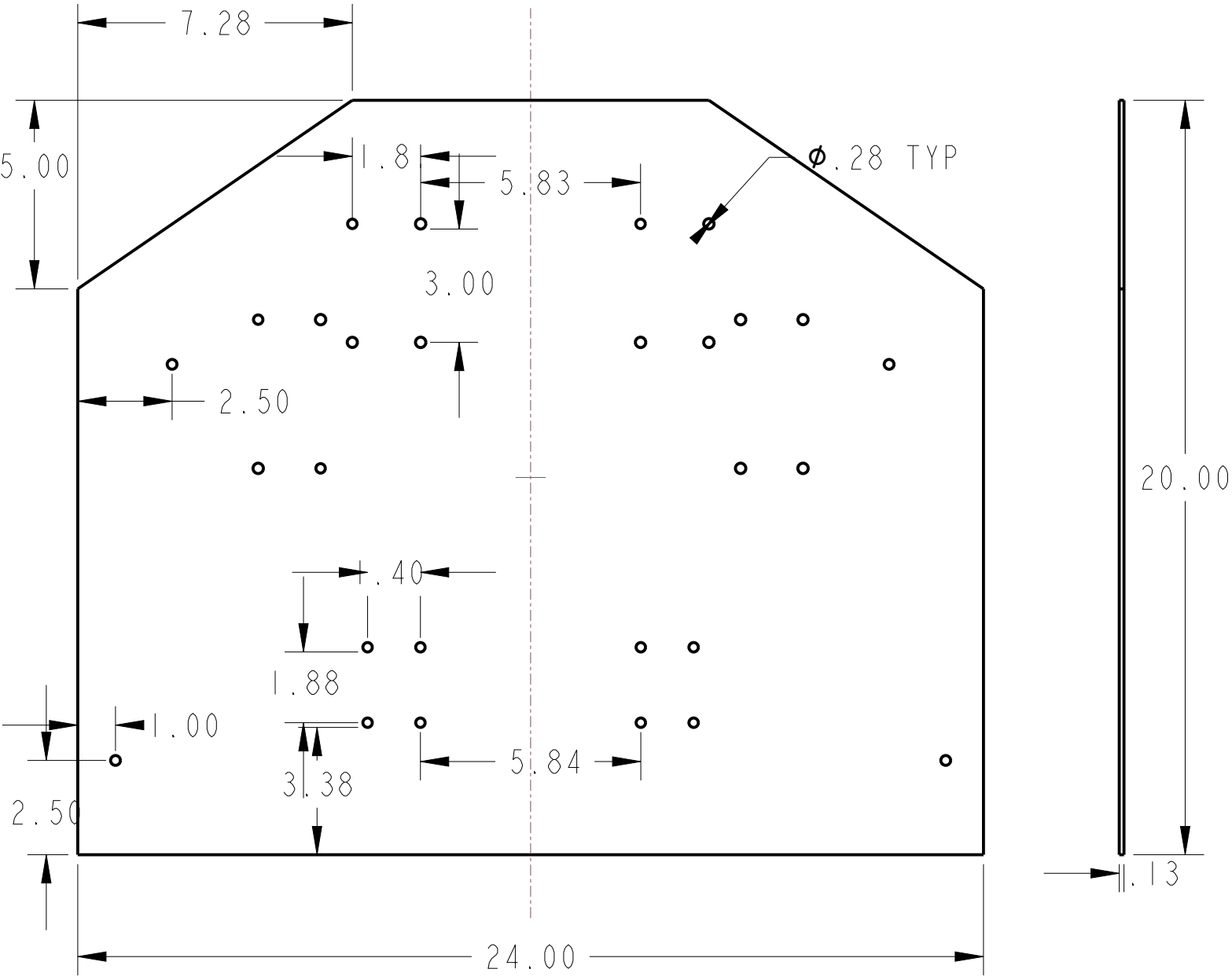
REV

A

SCALE: 0.500

UNIT WT: [.2]

SHEET 1 OF 1



Wheelchair Modification Project

TITLE

Plate

SIZE

CAGE CODE

DWG NO

REV

A

SCALE: 0.250

UNIT WT: [.2]

SHEET 1 OF 1