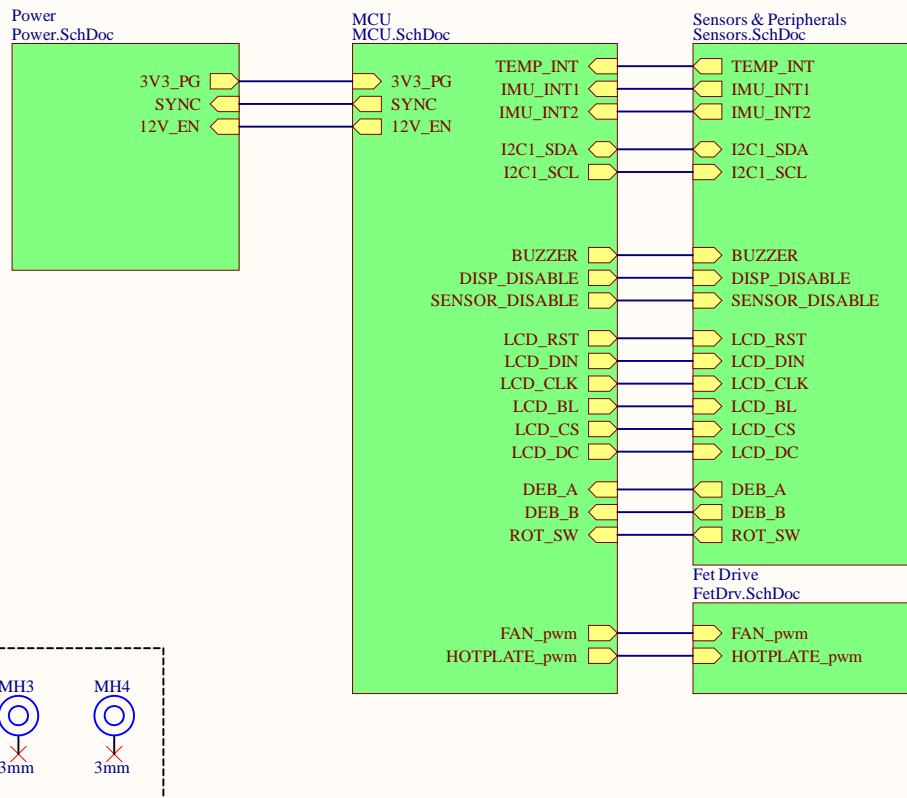


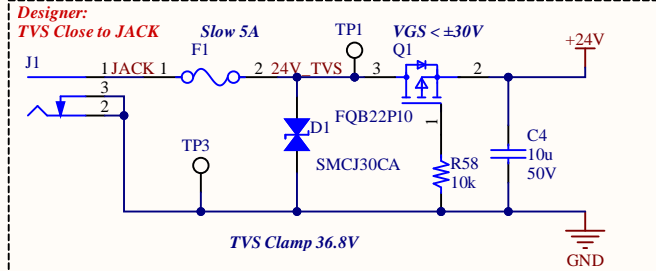
# SMD Reflow Project



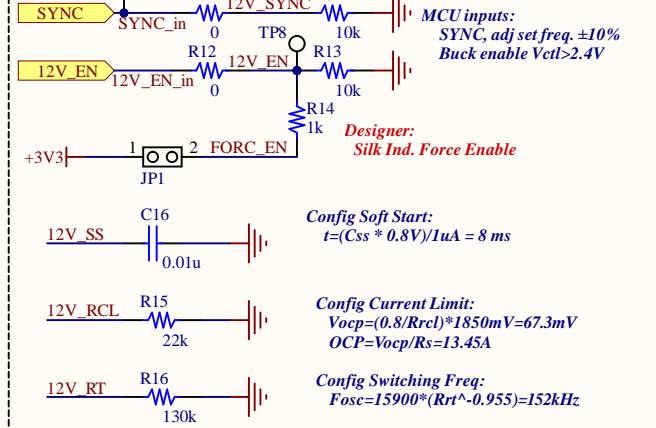
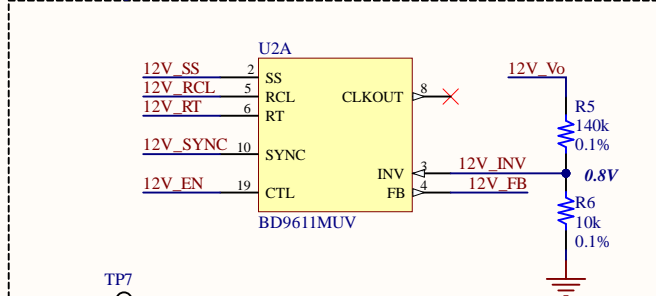
Title <b>SMD Reflow Hotplate: Main Schematic</b>		
Size A4	Number <b>1</b>	Revision <b>0</b>
Date: 8-02-2022	Sheet of	
File: E:\GitHub\...\Main.SchDoc	Drawn By: <b>Jesse Farrell</b>	

# Main Power

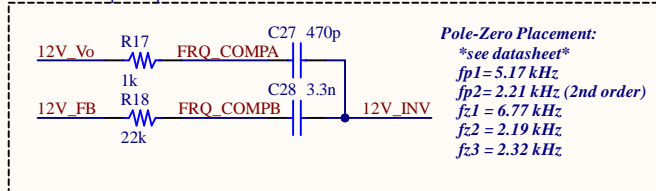
## Reverse Protection



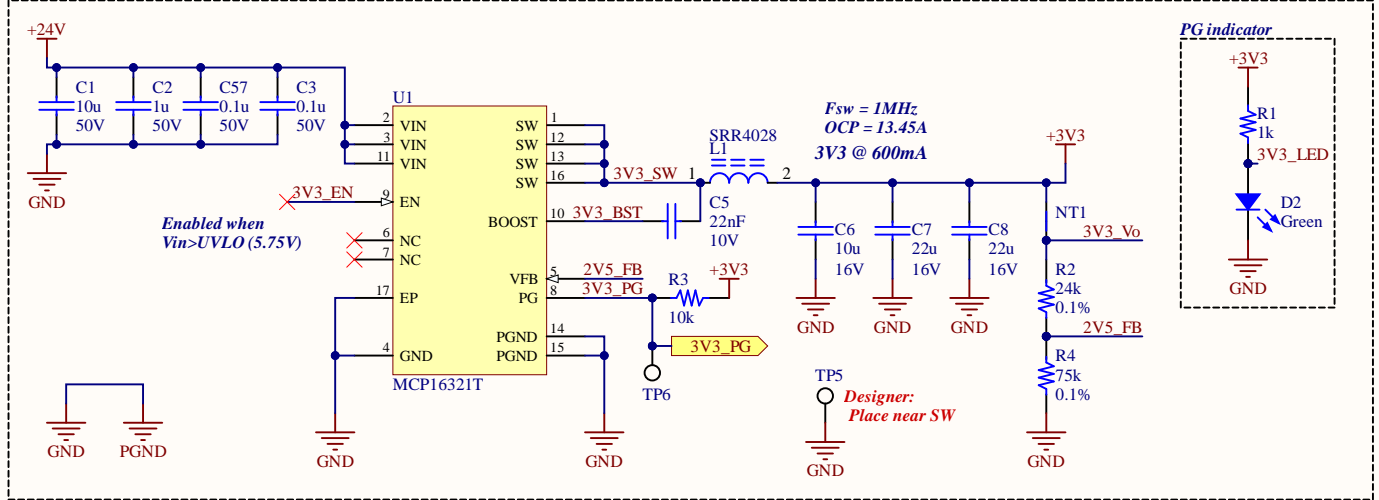
## 12V Buck Config



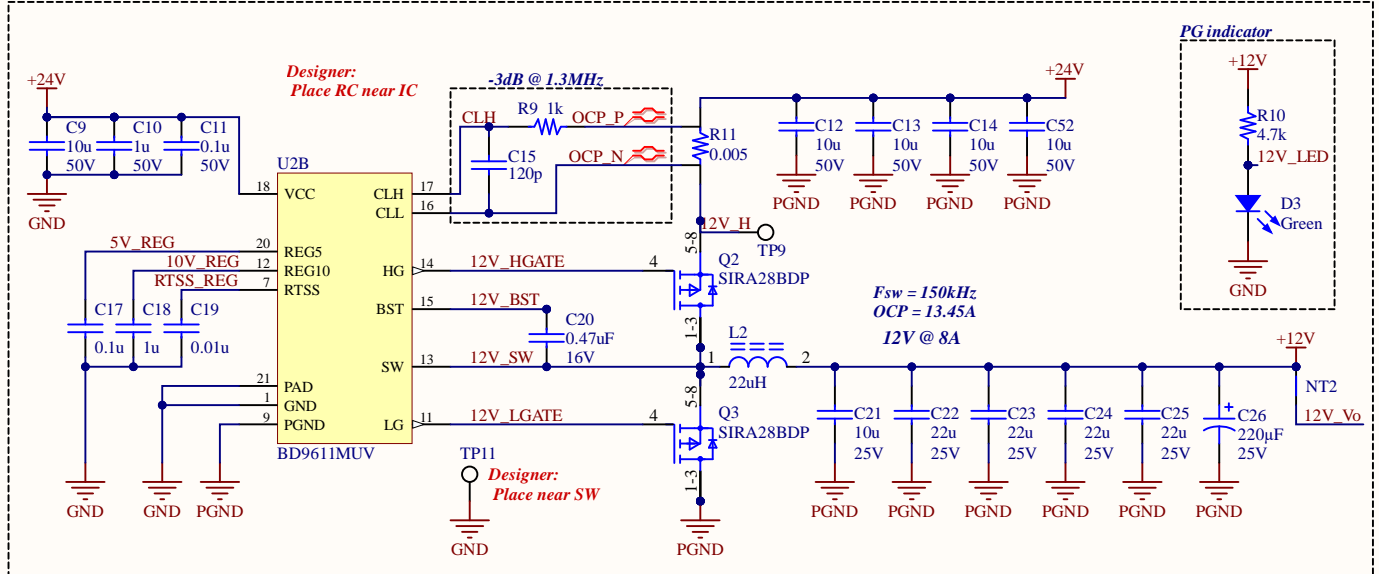
## 12V Buck Freq. Comp.



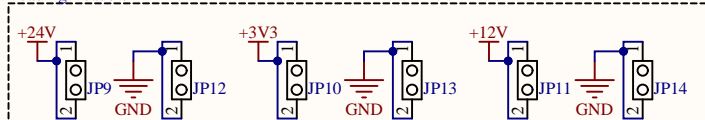
## 3V3 Buck



## 12V Buck



## Loading Headers



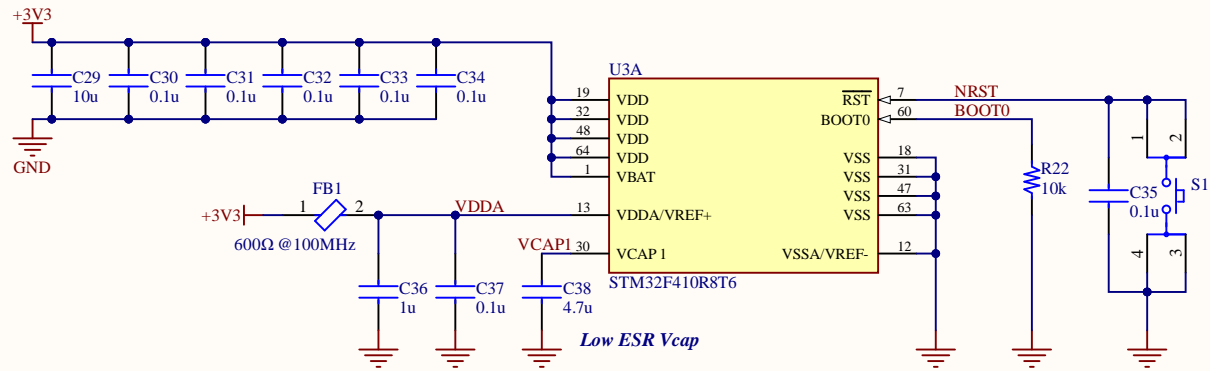
## Title

### SMD Reflow Hotplate: Power

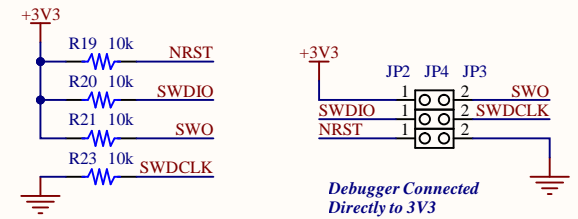
Size	Number	Revision
A4	2	0
Date:	8-02-2022	Sheet of
File:	E:\GitHub\...\Power.SchDoc	Drawn By:

# Microcontroller

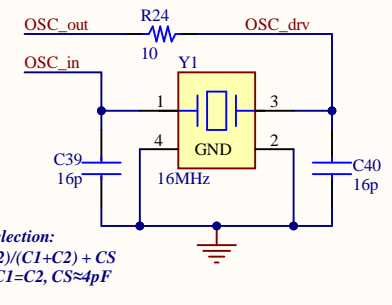
## Decoupling & Config



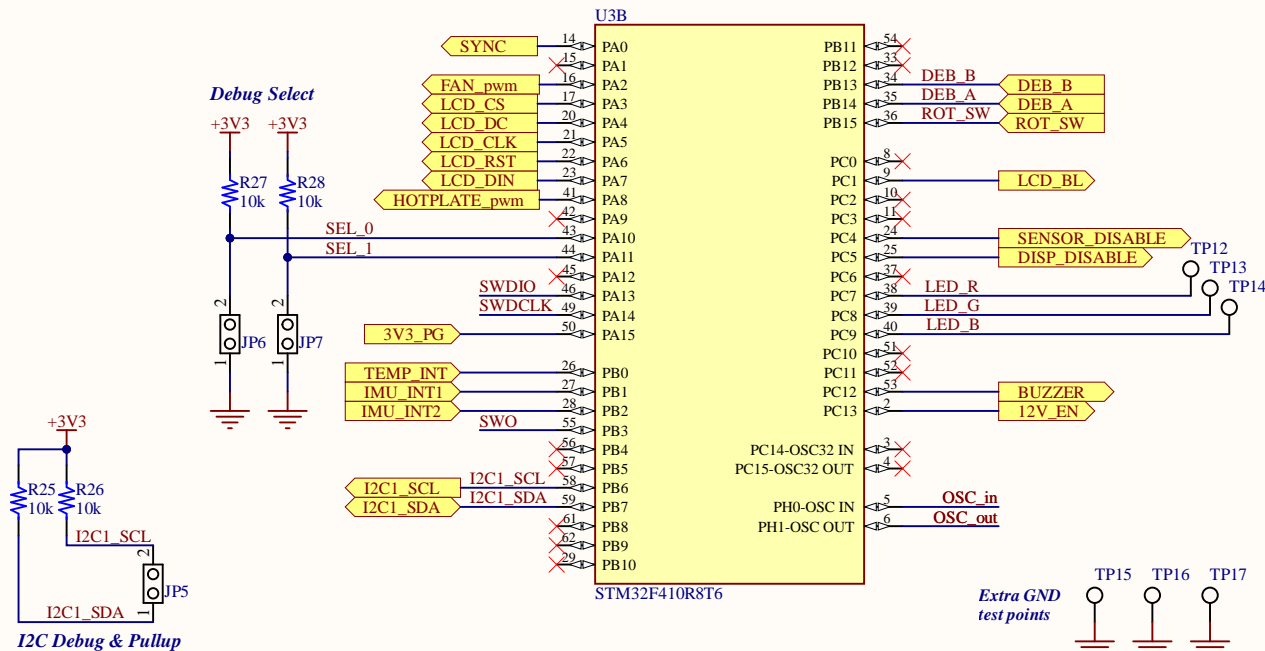
## Debug Header



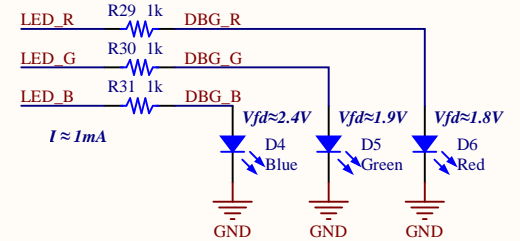
## External Clock



## MCU I/O



## Debug LEDs



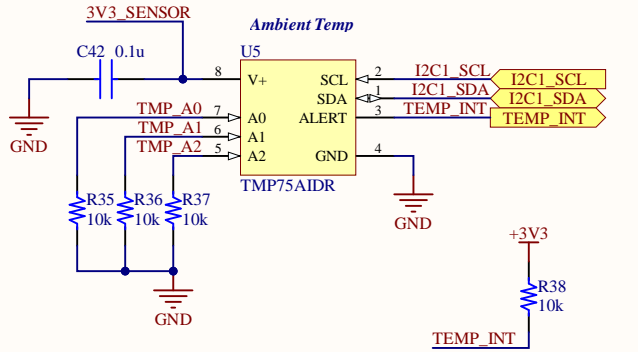
## Title SMD Reflow Hotplate: Microcontroller

Size	Number	Revision
A4	3	0
Date:	8-02-2022	Sheet of
File:	E:\GitHub\...\MCU.SchDoc	Drawn By: <b>Jesse Farrell</b>

# SENSORS & PERIPHERALS

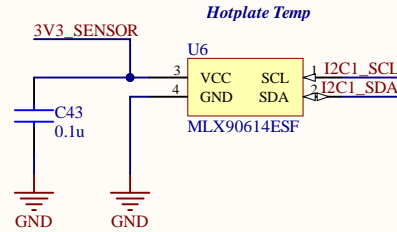
Temp Sense 1

Address: 0b1001000



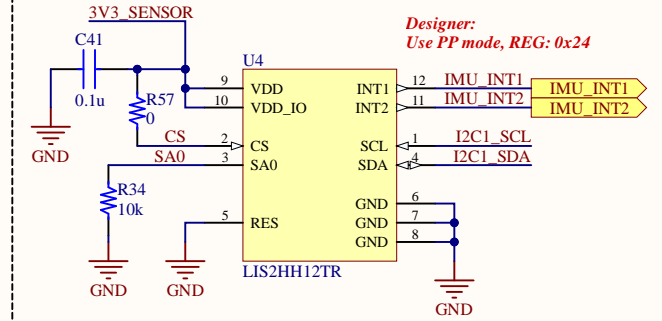
Temp Sense 2

Address: 0b01011011

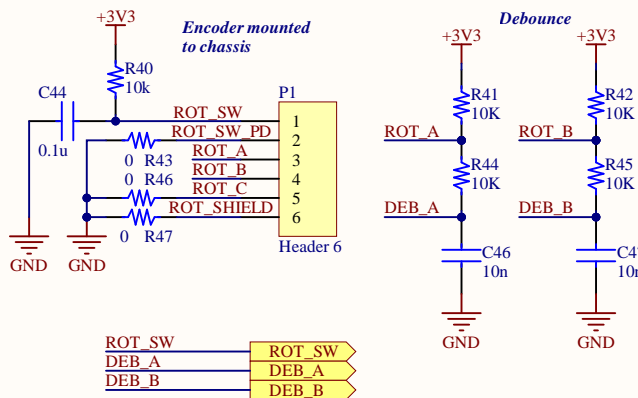


IMU

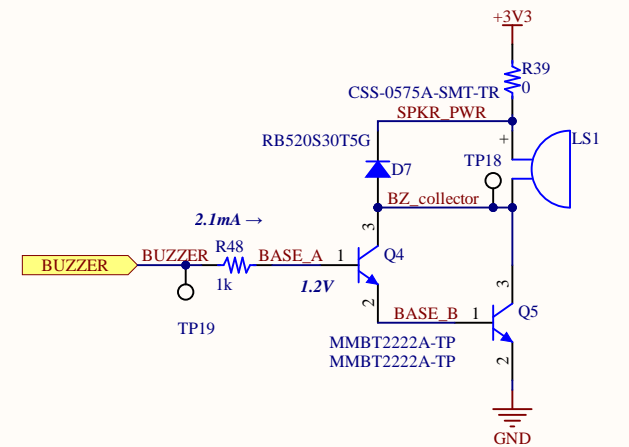
Address: 0b0011110



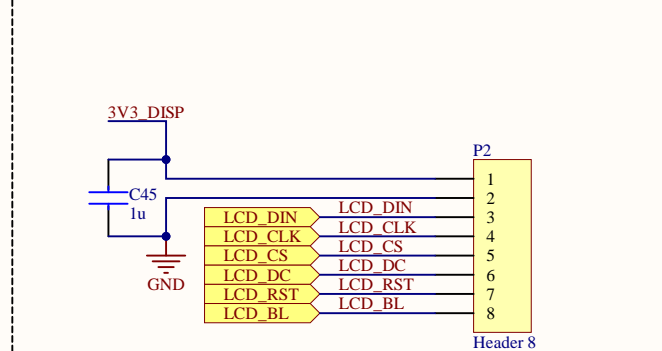
Rotary Encoder



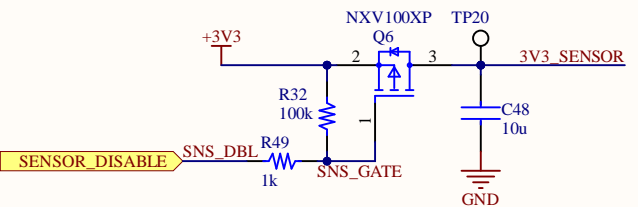
Buzzer



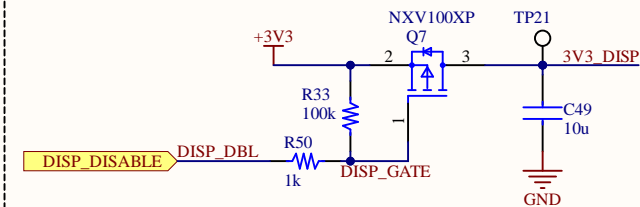
LCD I/O



Sensor Force RESET



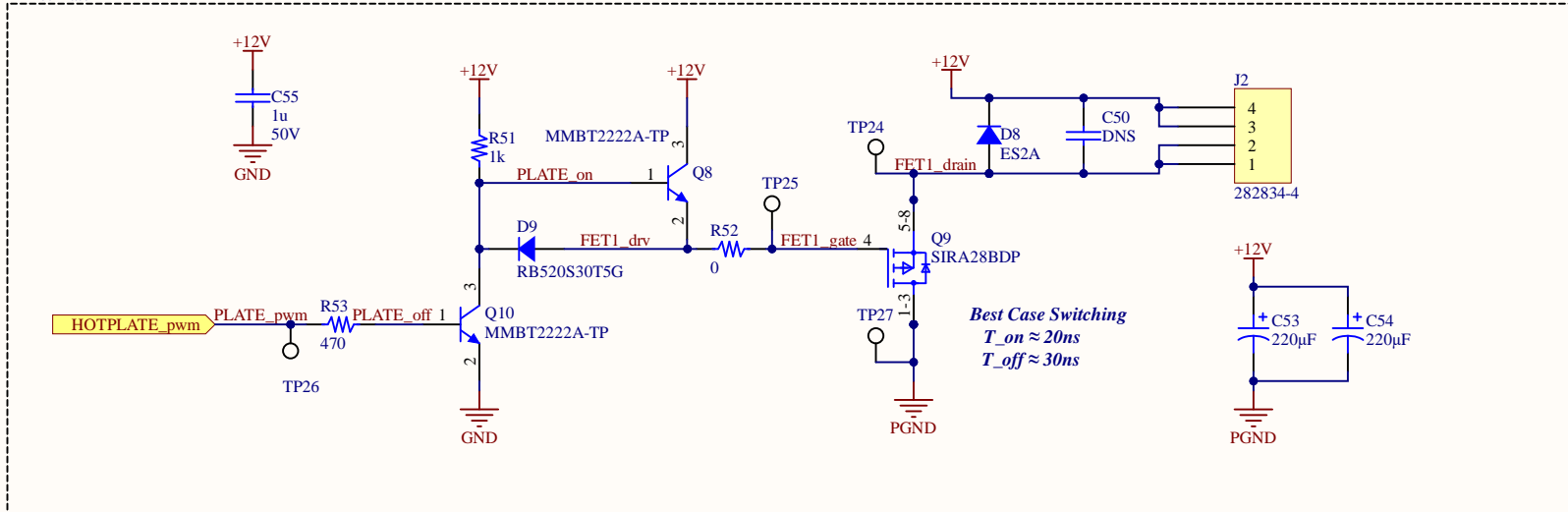
Display Force RESET



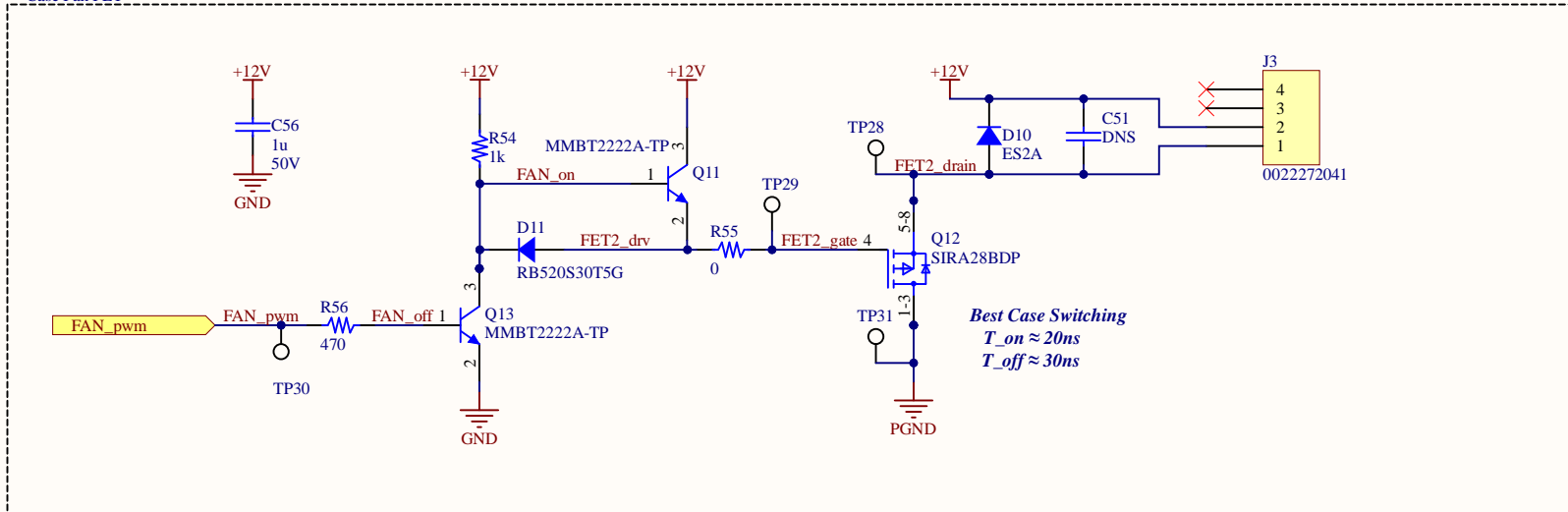
Title <b>SMD Reflow Hotplate: Sensors and Peripherals</b>		
Size A4	Number <b>4</b>	Revision <b>0</b>
Date: 8-02-2022	Sheet of	
File: E:\GitHub\...\Sensors.SchDoc	Drawn By: <b>Jesse Farrell</b>	

# FET DRIVERS

Hot Plate FET



Case Fan FET



Title <b>SMD Reflow Hotplate: Fet Drivers</b>		
Size A4	Number <b>5</b>	Revision <b>0</b>
Date: 8-02-2022	Sheet of	
File: E:\GitHub\...\FetDrv.SchDoc	Drawn By: <b>Jesse Farrell</b>	