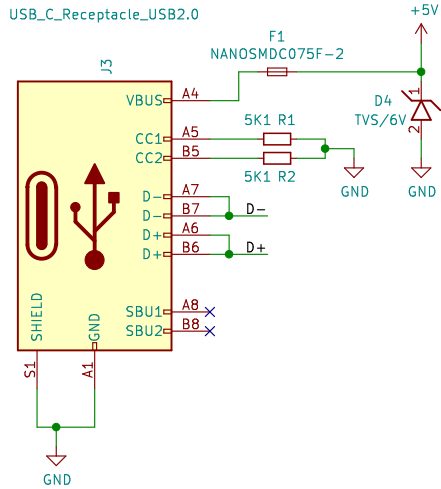
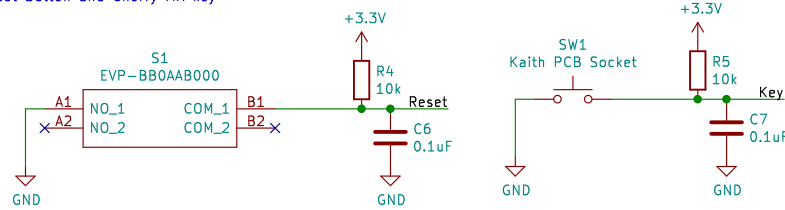


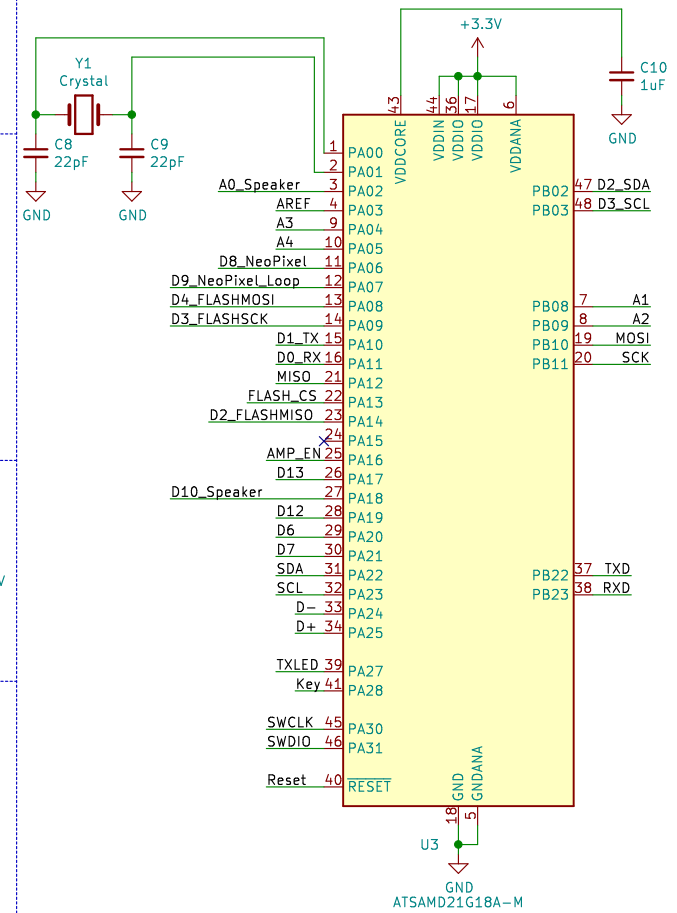
USB C Power Plug



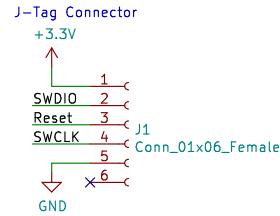
Reset Button and Cherry MX key



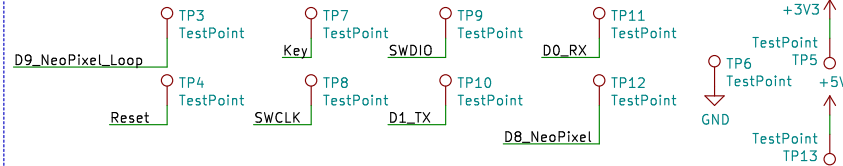
SAMD21 Microcontroller with External Flash



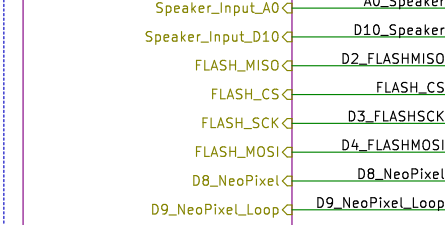
External Connectors



Test Points

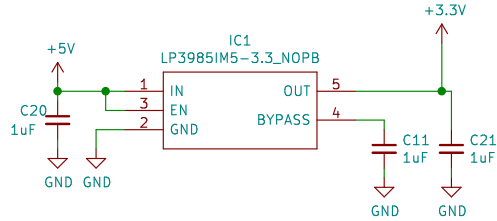


Sheet: Peripherals

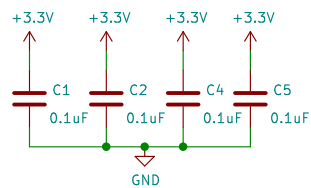


File: file615DE501.sch

3.3V Regulator



GND to 3.3V capacitance



Mechanical Components



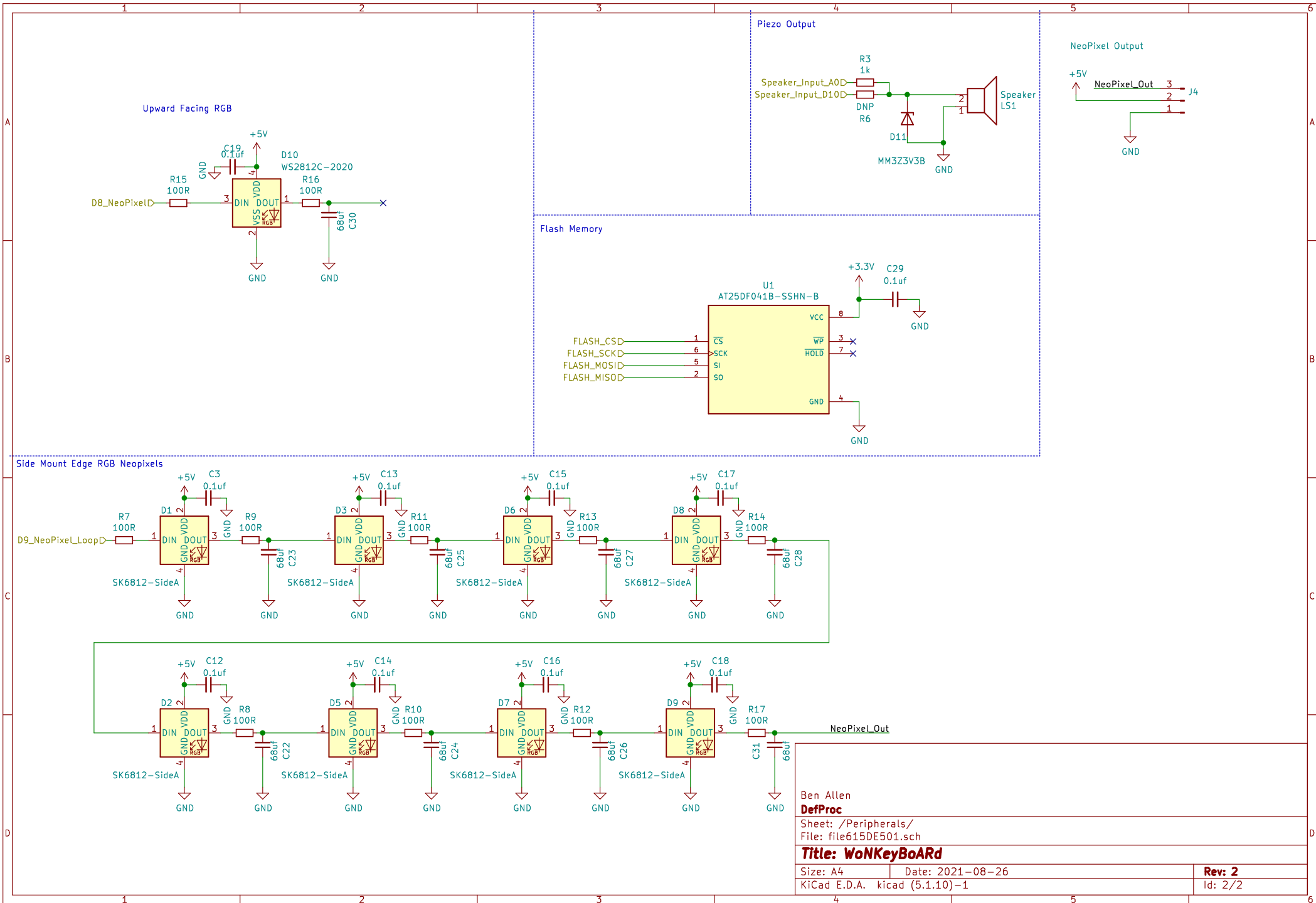
Ben Allen
DefProc

Sheet: /
File: WonkeyBoard.sch

Title: WonkeyBoArD

Size: A4 Date: 2021-09-30
KiCad E.D.A. kicad (5.1.10)-1

Rev: 2
Id: 1/2



Ben Allen	
DefProc	
Sheet: /Peripherals/ File: file615DE501.sch	
Title: WonKeyBoARD	
Size: A4	Date: 2021-08-26
KiCad E.D.A. kicad (5.1.10)-1	Rev: 2 Id: 2/2