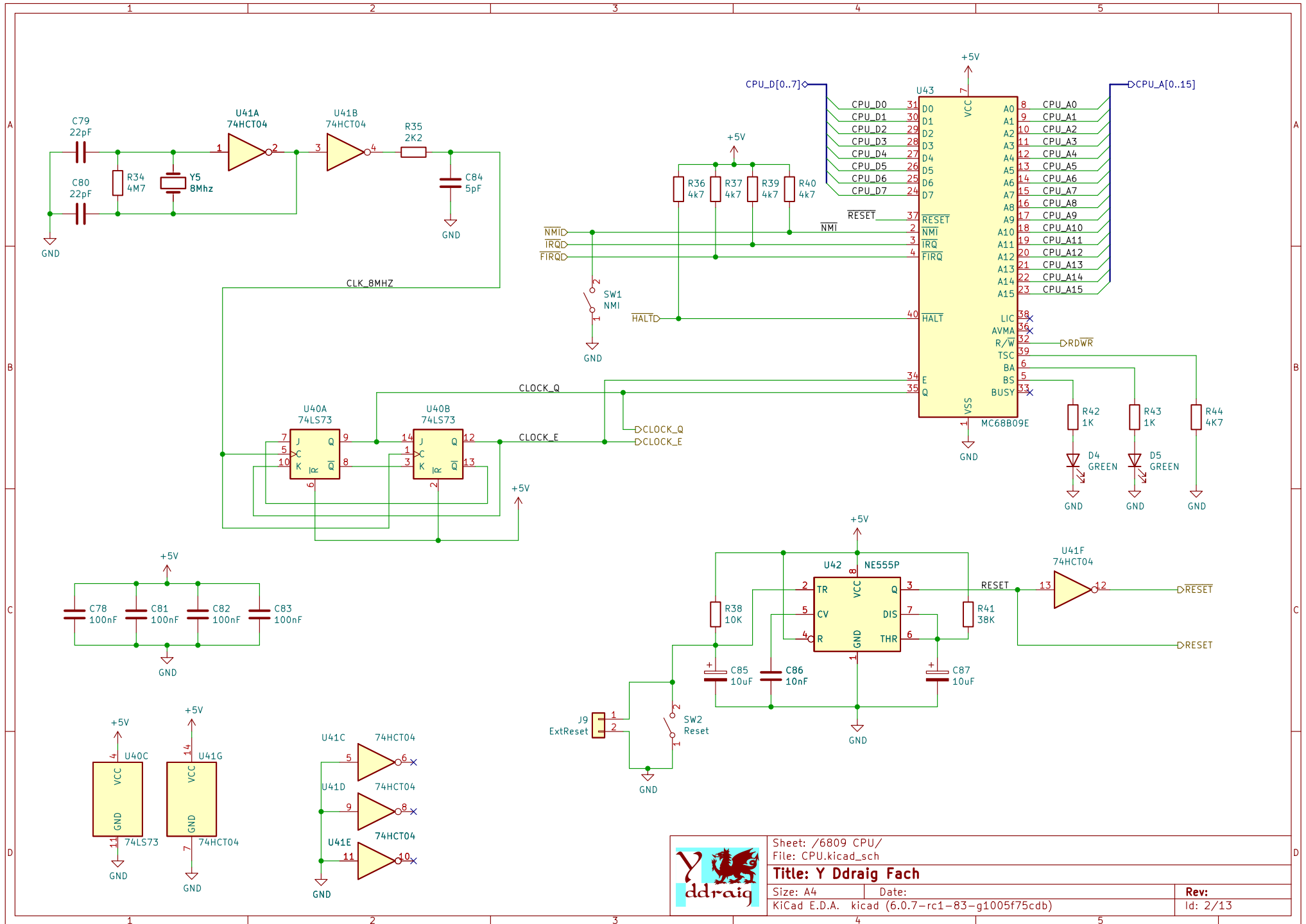


Sheet: /	File: yddraig09.kicad_sch
<b>Title: Y Ddraig Fach</b>	
Size: A4	Date:
KiCad E.D.A. kicad (6.0.7-rc1-83-g1005f75cdb)	
Rev:	Id: 1/13

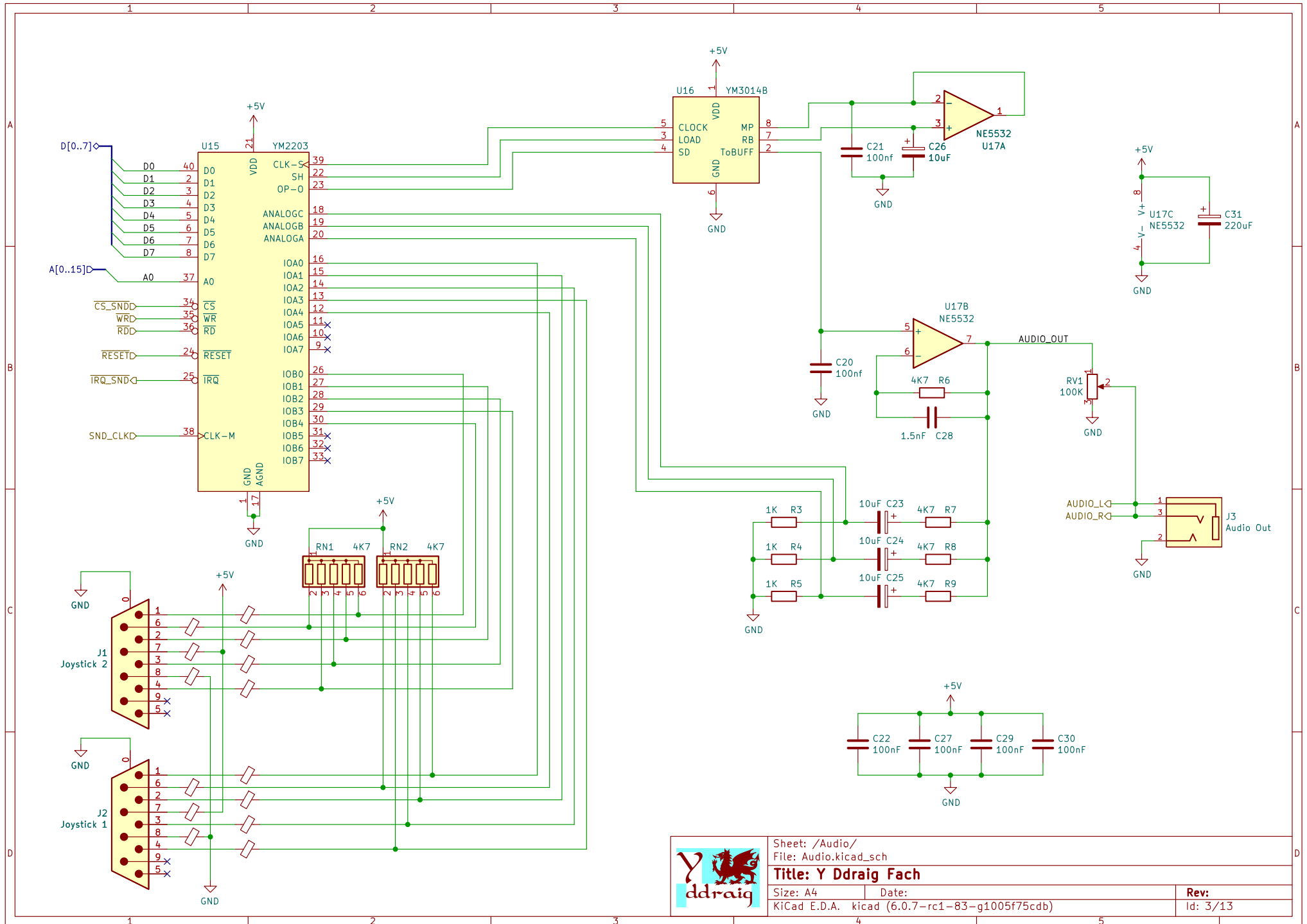


Sheet: /6809 CPU/  
File: CPU.kicad\_sch

**Title: Y Ddraig Fach**

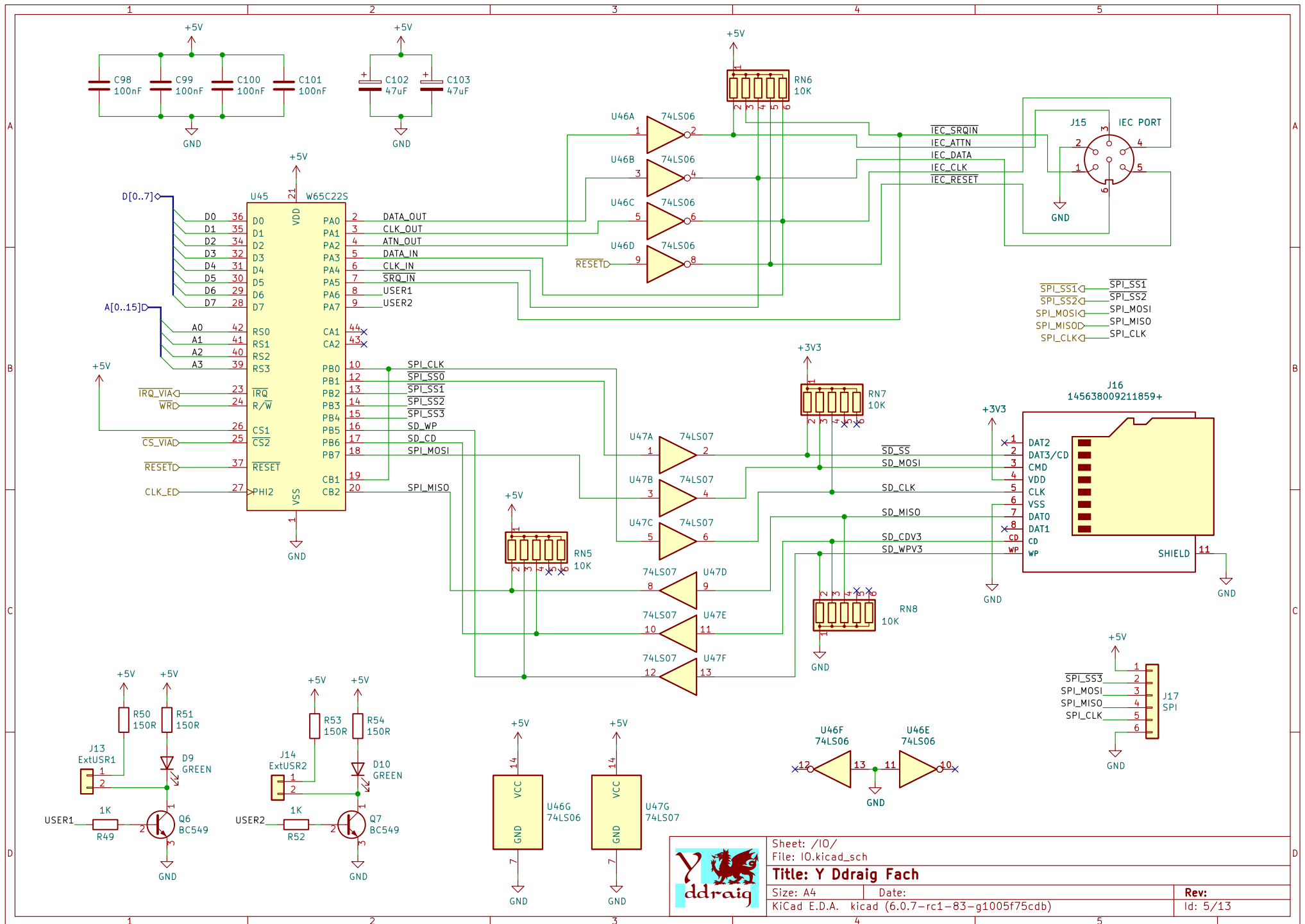
Size: A4 Date:  
KiCad E.D.A. kicad (6.0.7-rc1-83-g1005f75cdb)

Rev:  
Id: 2/13

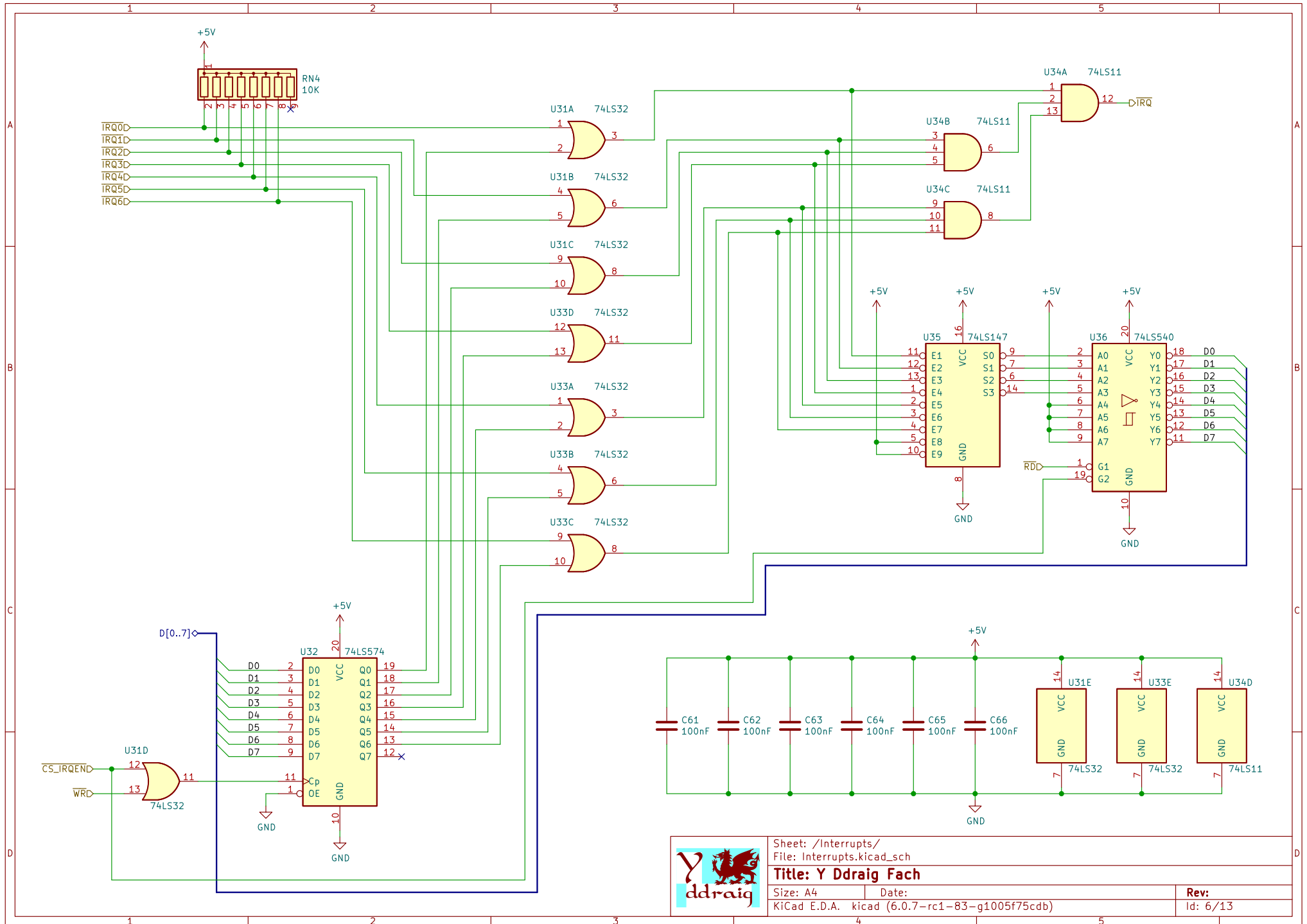


Sheet: /Audio/		File: Audio.kicad_sch	
<b>Title: Y Ddraig Fach</b>			
Size: A4	Date:		Rev:
KiCad E.D.A. kicad (6.0.7-rc1-83-g1005f75cdb)			Id: 3/13

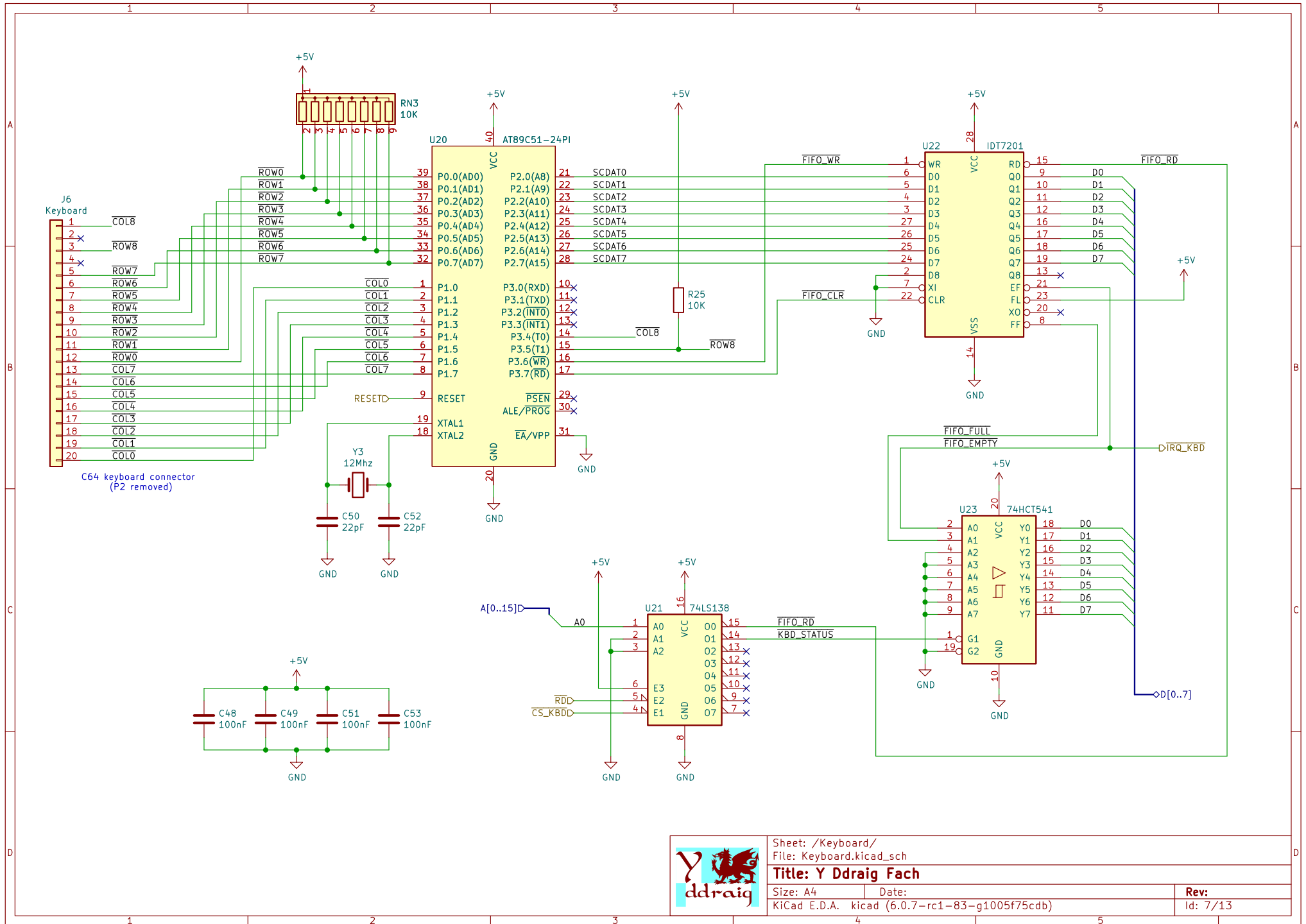


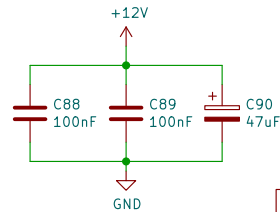
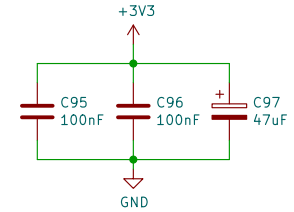
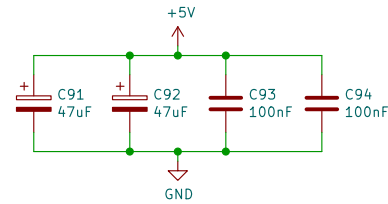
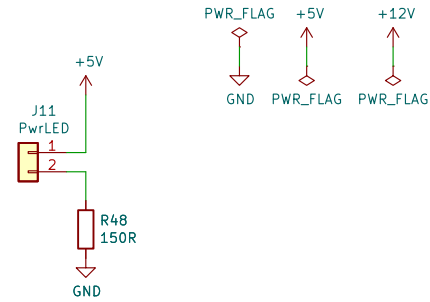
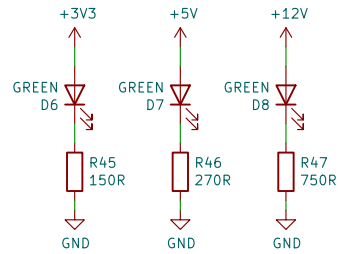
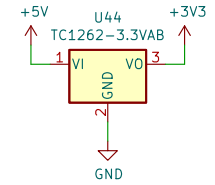
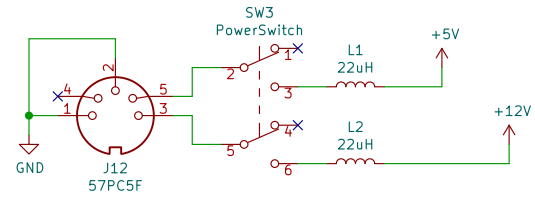
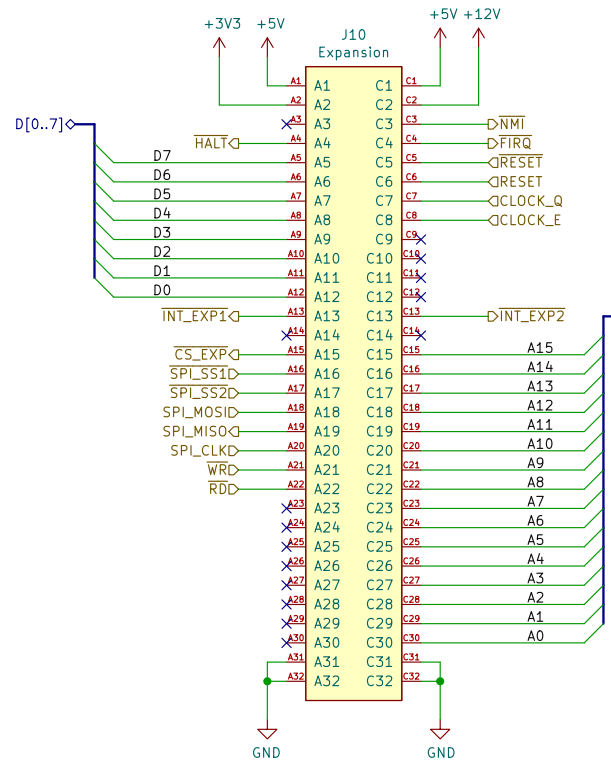


Sheet: /10/	
File: 10.kicad_sch	
<b>Title: Y Ddraig Fach</b>	
Size: A4	Date:
KiCad E.D.A. kicad (6.0.7-rc1-83-g1005f75cdb)	
Rev:	Id: 5/13



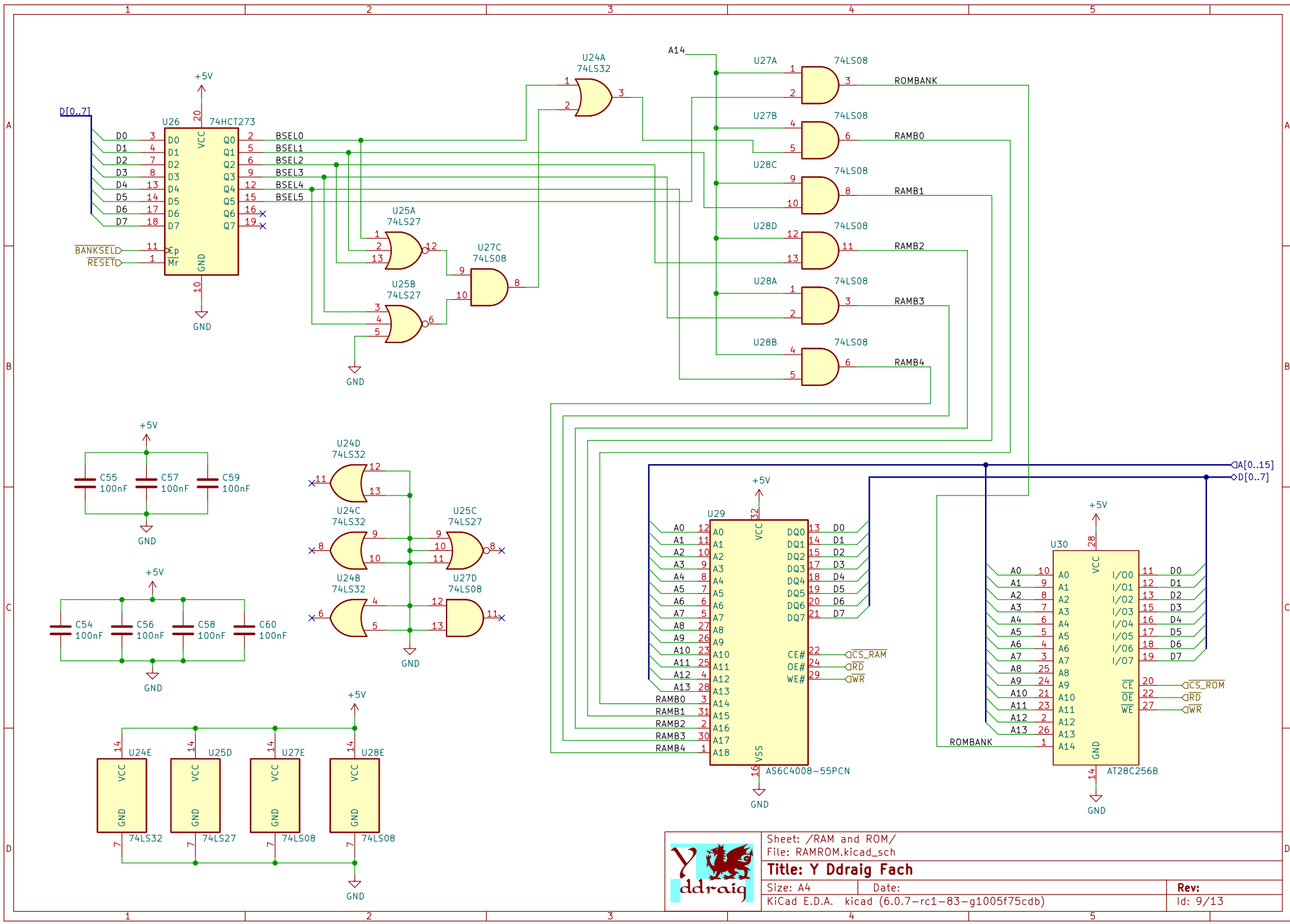
Sheet: /Interrupts/		File: Interrupts.kicad_sch	
<b>Title: Y Ddraig Fach</b>			
Size: A4	Date:		Rev:
KiCad E.D.A. kicad (6.0.7-rc1-83-g1005f75cdb)			Id: 6/13

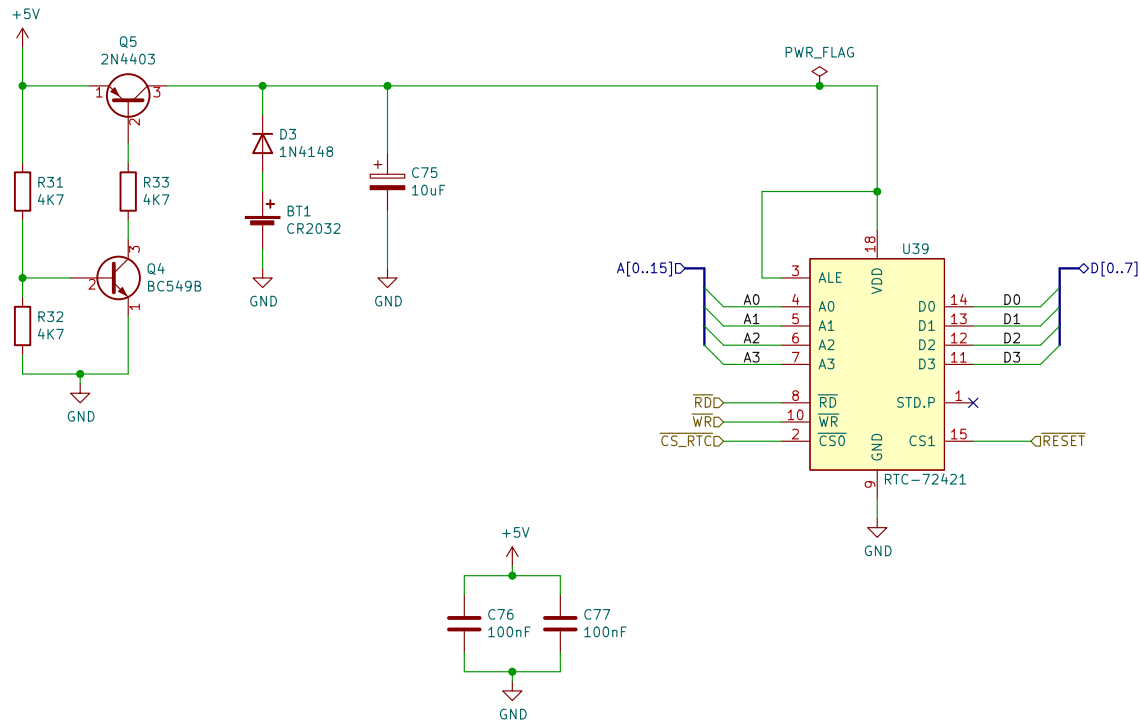





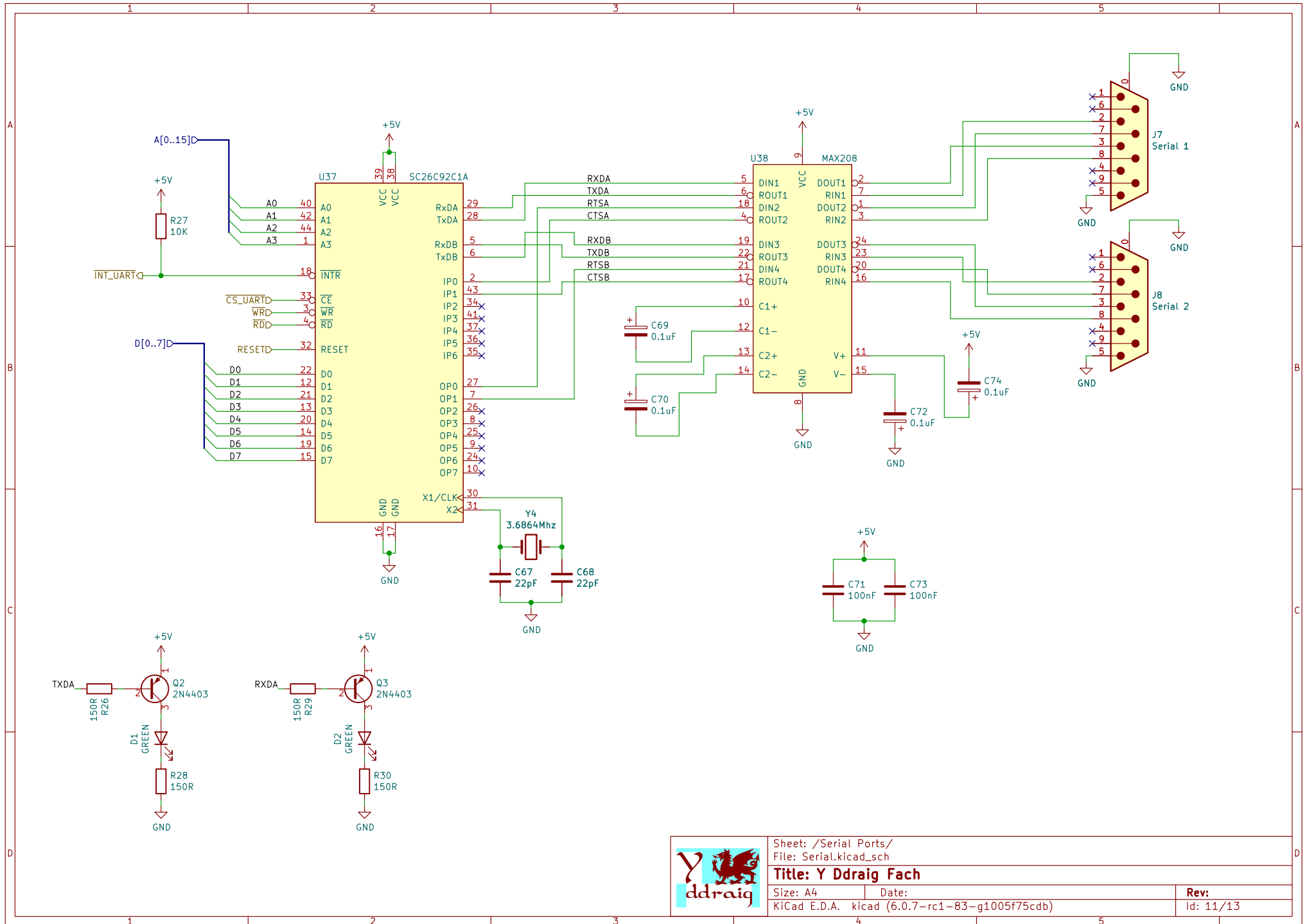
	Sheet: /Power and Expansion/	
	File: PowerExp.kicad_sch	
<b>Title: Y Ddraig Fach</b>		
Size: A4	Date:	Rev:
KiCad E.D.A. kicad (6.0.7-rc1-83-g1005f75cdb)		Id: 8/13




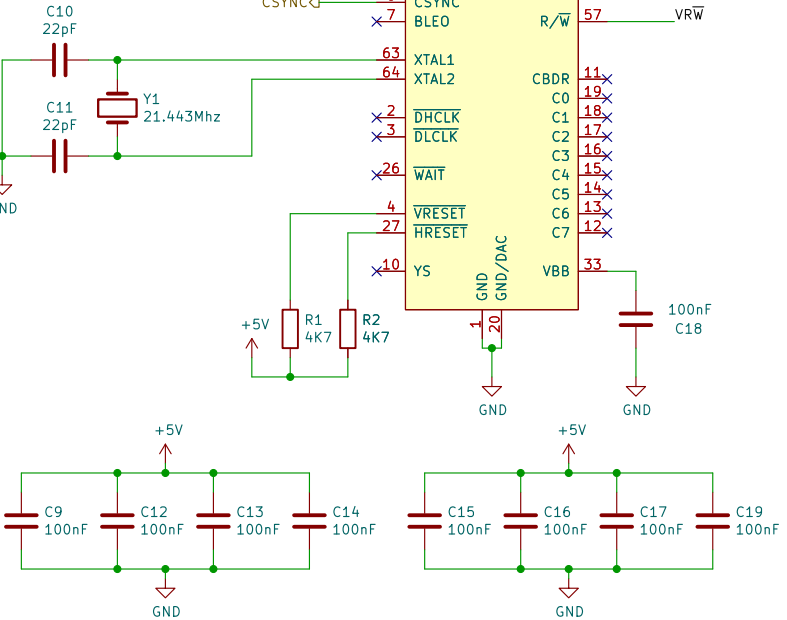
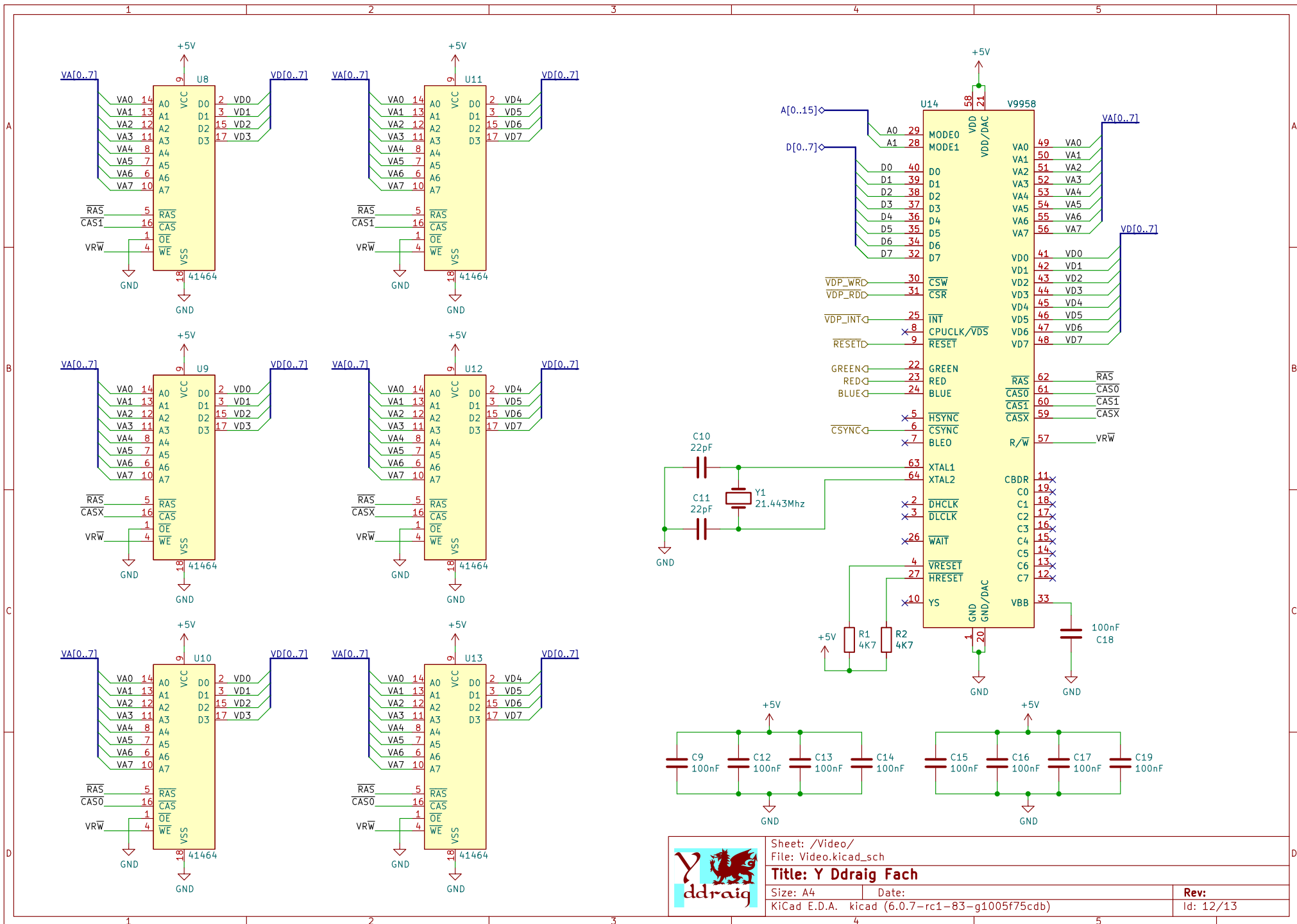





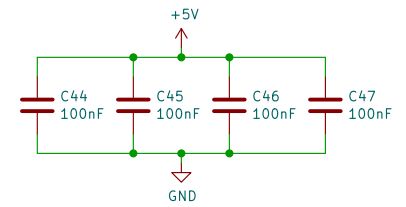
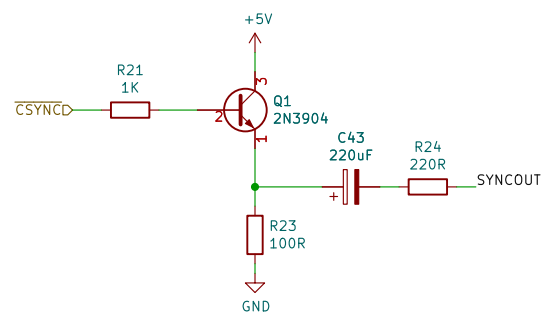
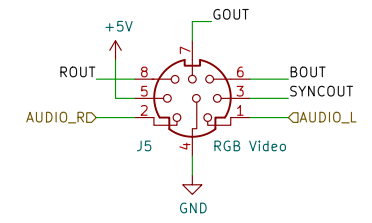
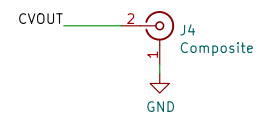
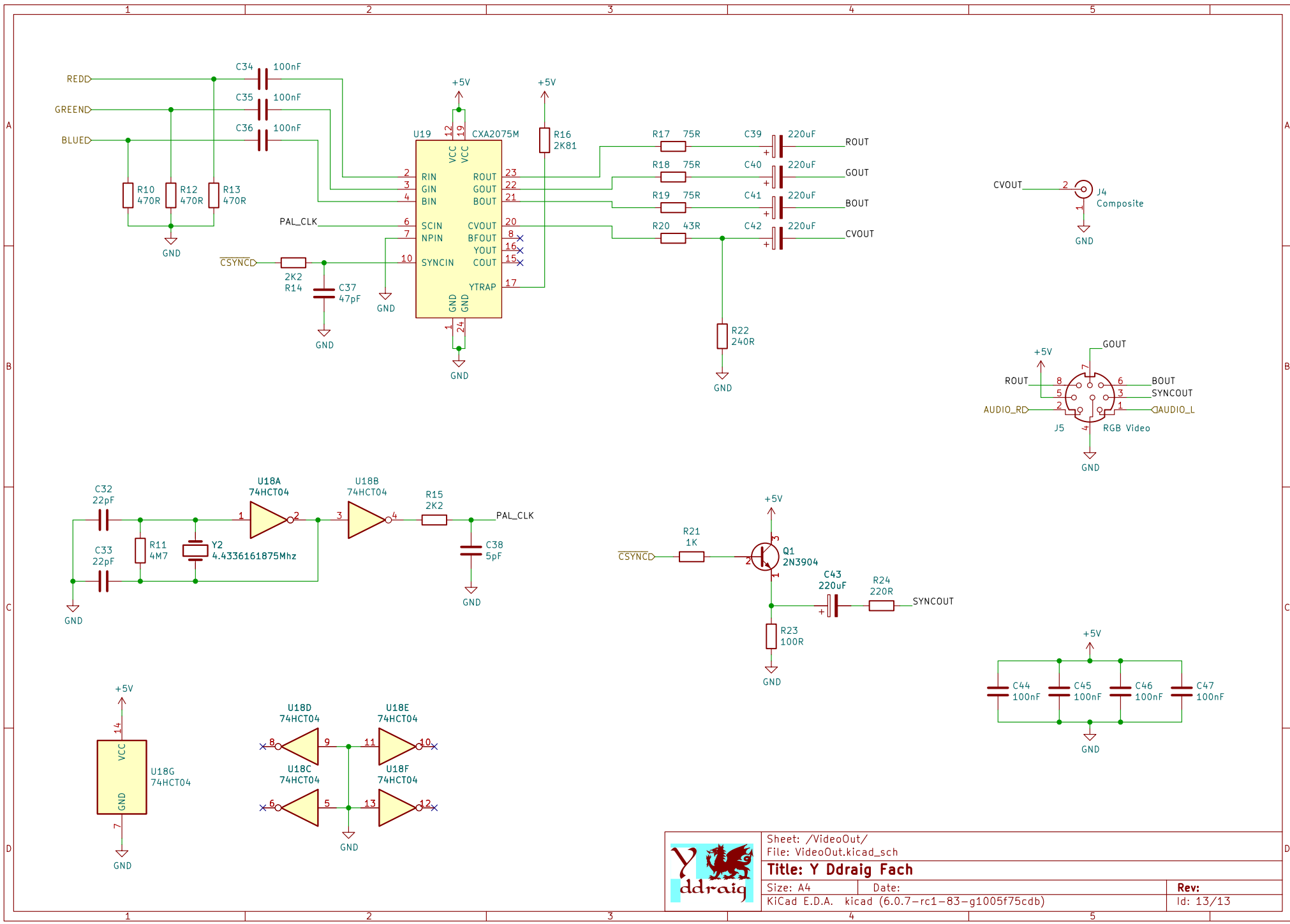
	Sheet: /Real-time Clock/	
	File: RTC.kicad_sch	
<b>Title: Y Ddraig Fach</b>		
Size: A4	Date:	
KiCad E.D.A. kicad (6.0.7-rc1-83-g1005f75cdb)		Rev:
		Id: 10/13




	Sheet: /Serial Ports/ File: Serial.kicad_sch	
	<b>Title: Y Ddraig Fach</b>	
Size: A4	Date:	Rev:
KiCad E.D.A. kicad (6.0.7-rc1-83-g1005f75cdb)		Id: 11/13



	Sheet: /Video/		File: Video.kicad_sch	
	<b>Title: Y Ddraig Fach</b>			
Size: A4	Date:			Rev:
KiCad E.D.A. kicad (6.0.7-rc1-83-g1005f75cdd)				Id: 12/13



	Sheet: /VideoOut/		Rev:
	File: VideoOut.kicad_sch		
<b>Title: Y Ddraig Fach</b>			Id: 13/13
Size: A4	Date:		
KiCad E.D.A. kicad (6.0.7-rc1-83-g1005f75cdb)			