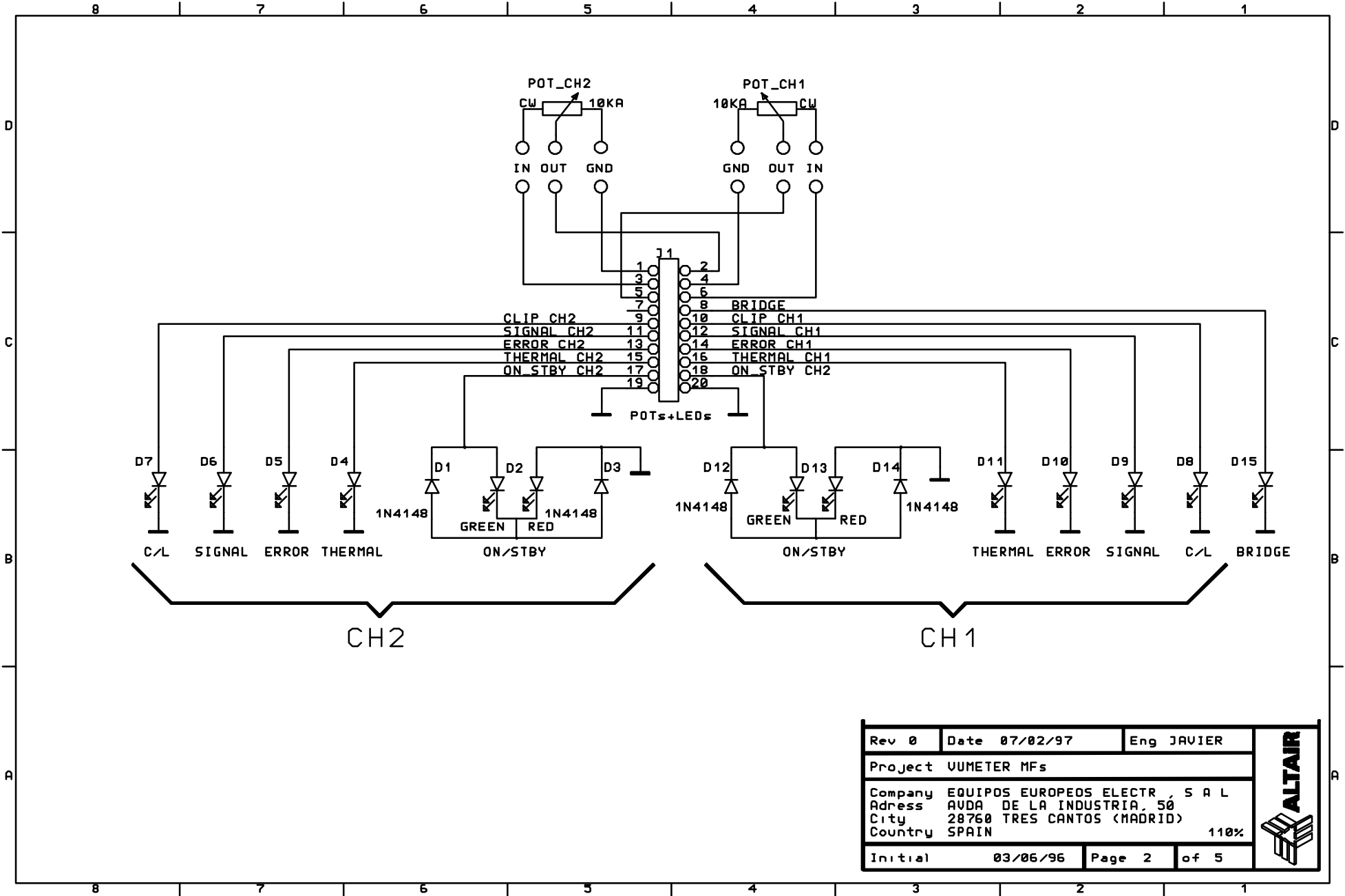


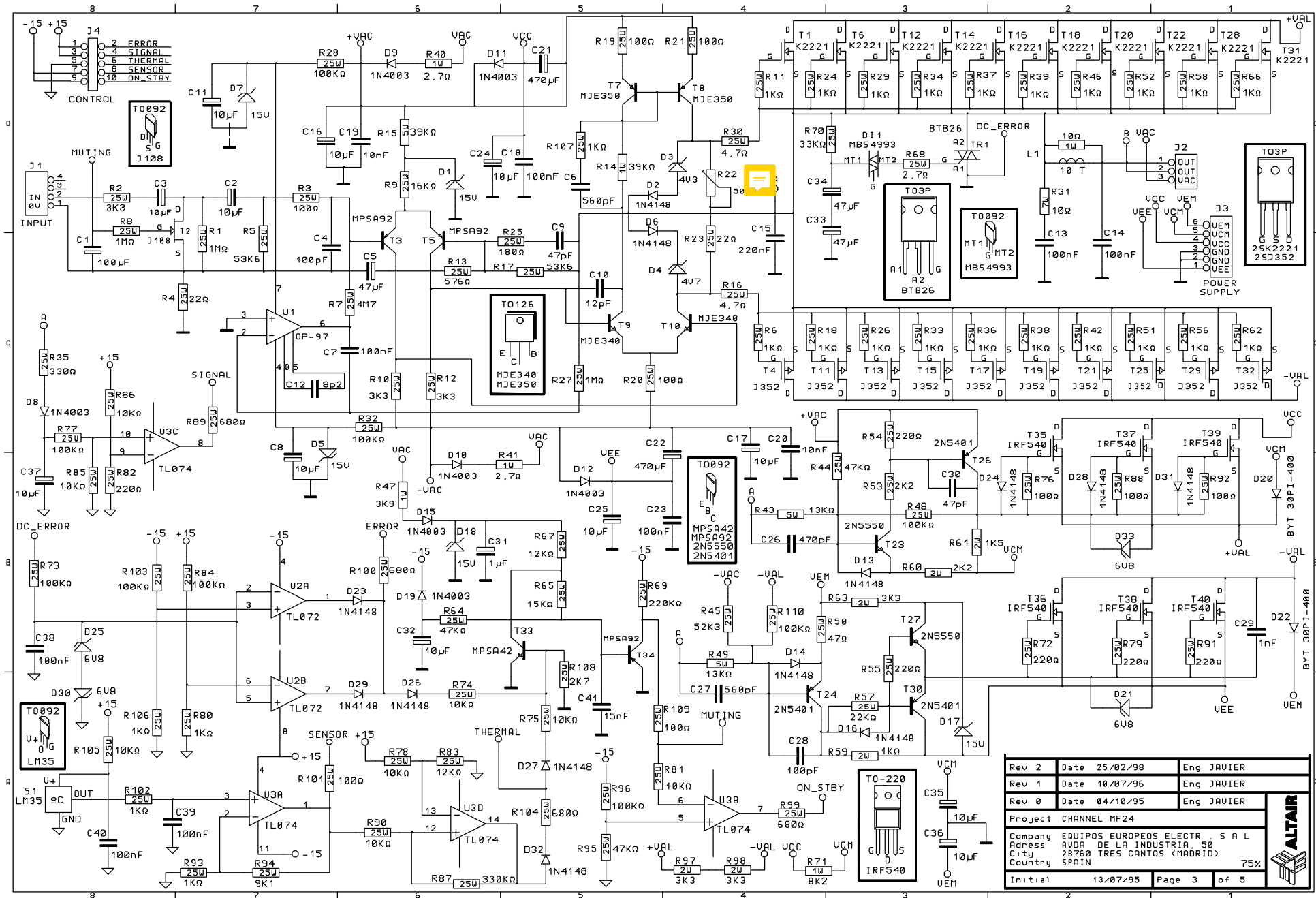
Rev 2	Date 27/11/96	Eng JAVIER
Rev 1	Date 19/08/96	Eng JAVIER
Rev 0	Date 14/08/96	Eng JAVIER
Project CABLEADO MF-2408		
Company EQUIPOS EUROPEOS ELECTRONICA S R L		
Address BUENOS DIAS INDUSTRIAL 50		
City 28760 TRES CANTOS (MADRID)		
Country SPAIN		
(Initial)	12/08/96	Page 1 of 3





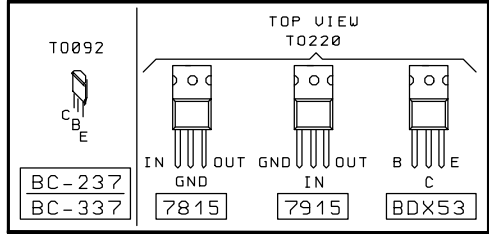
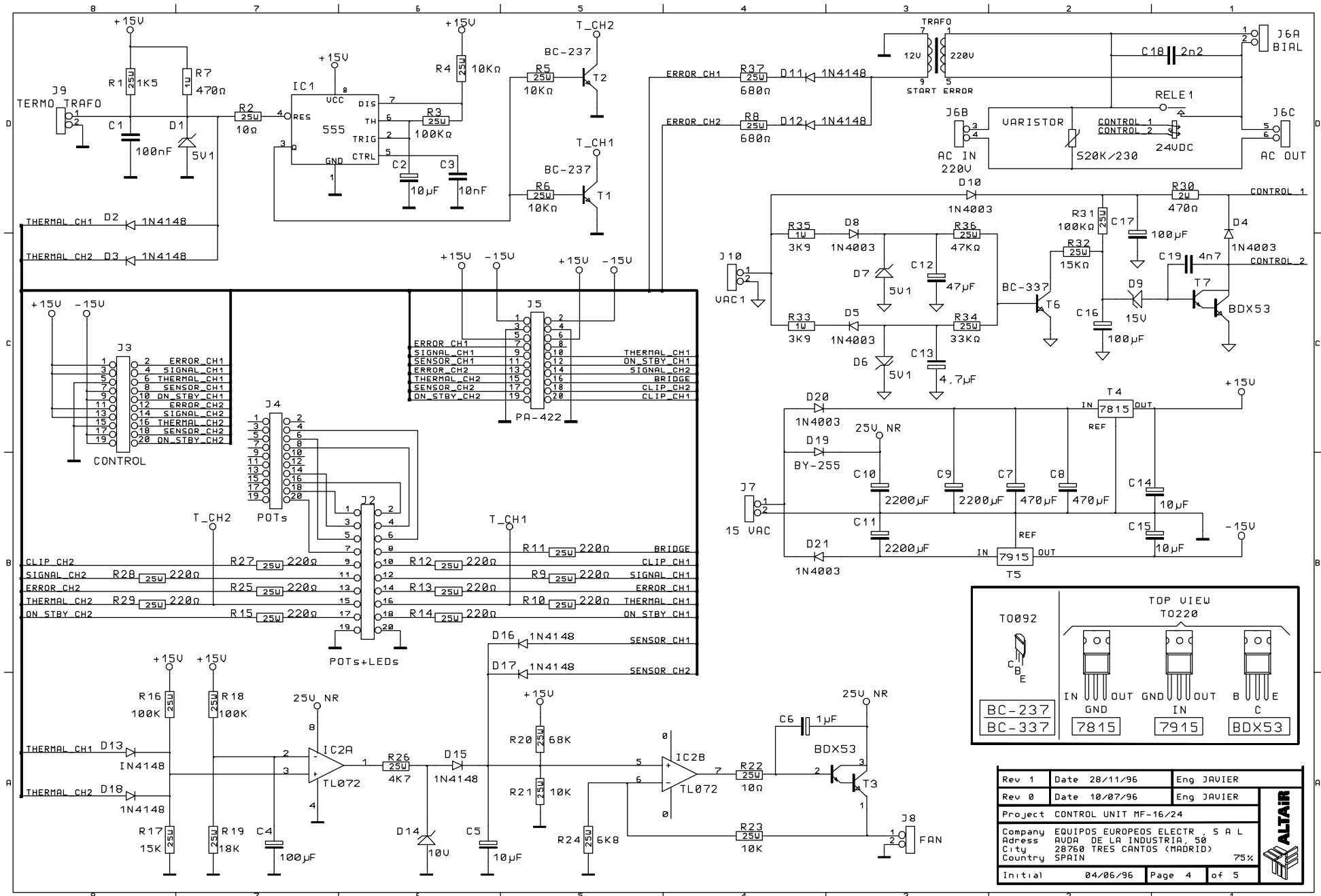
Rev 0	Date 07/02/97	Eng JAVIER
Project VUMETER MFs		
Company EQUIPOS EUROPEOS ELECTR, S A L		
Address AVDA DE LA INDUSTRIA, 50		
City 28760 TRES CANTOS (MADRID)		
Country SPAIN 110%		
Initial	03/06/96	Page 2 of 5





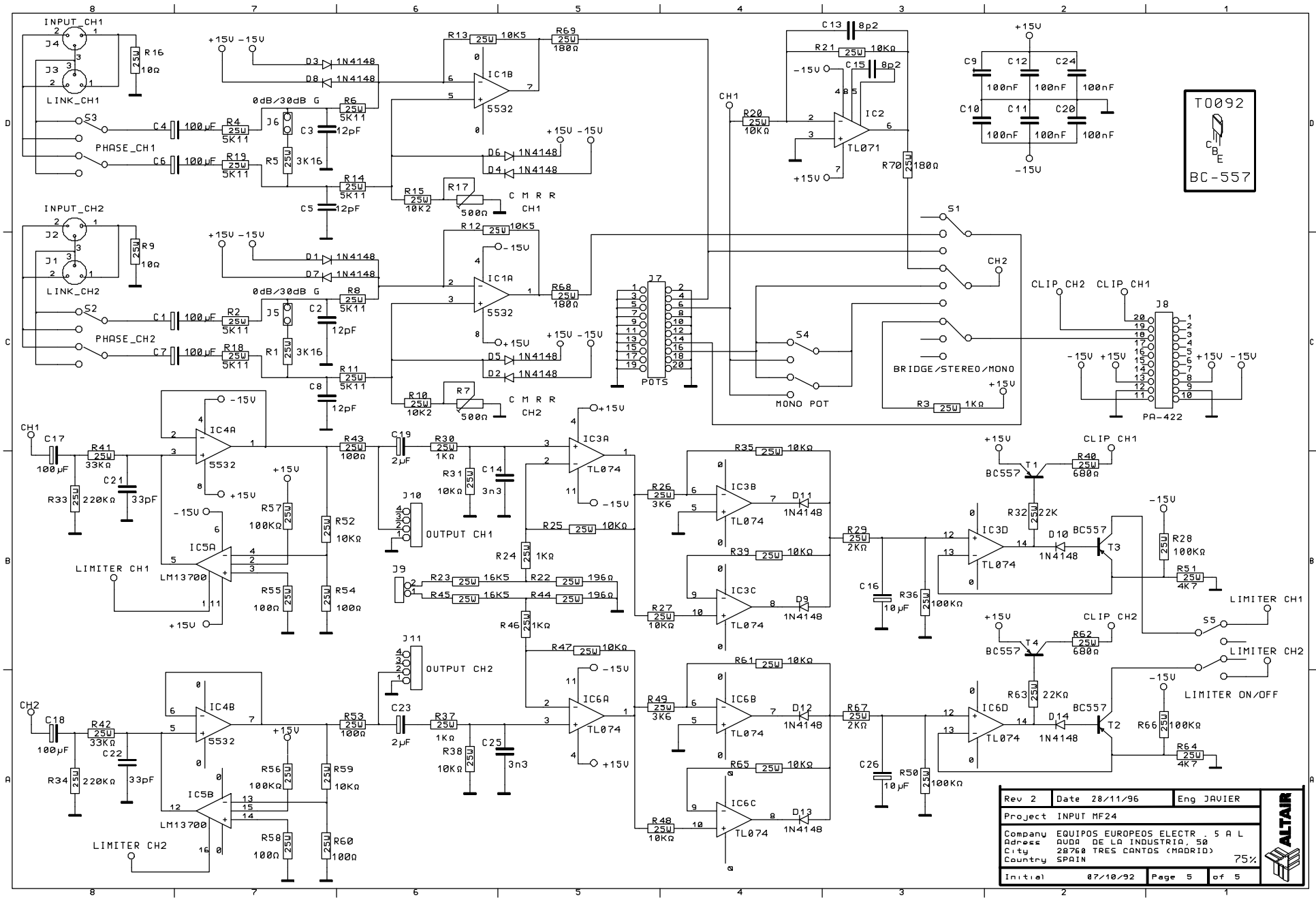
Rev 2	Date 25/02/98	Eng JAVIER
Rev 1	Date 10/07/96	Eng JAVIER
Rev 0	Date 04/10/95	Eng JAVIER
Project CHANNEL MF24		
Company EQUIPOS EUROPEOS ELECTR. S A L		
Address AVDA DE LA INDUSTRIA, 50		
City 28760 TRES CANTOS (MADRID)		
Country SPAIN		
Initial	13/07/95	Page 3 of 5






Rev 1	Date 28/11/96	Eng JAVIER
Rev 0	Date 10/07/96	Eng JAVIER
Project CONTROL UNIT MF-16/24		
Company EQUIPOS EUROPEOS ELECTR. S A L		
Address AVDA DE LA INDUSTRIA, 50		
City 28760 TRES CANTOS (MADRID)		
Country SPAIN		
Initial	04/06/96	Page 4 of 5





T0092

 BC-557

Rev 2	Date 28/11/96	Eng JAVIER
Project INPUT MF24		
Compani EQUIPOS EUROPEOS ELECT. S A L		
Address AVDA DE LA INDUSTRIA, 50		
City 28760 TRES CANTOS (MADRID)		
Country SPAIN 75%		
Initial	87/10/92	Page 5 of 5

