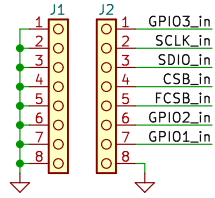
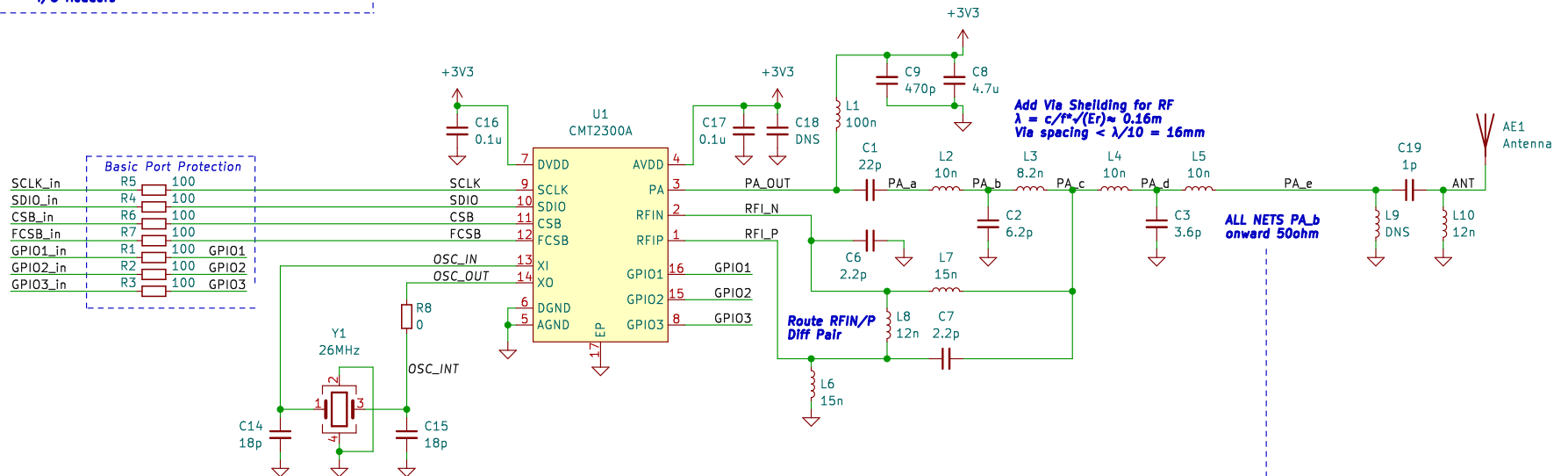


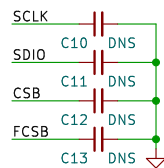
CMT2300A Dev Board (868MHz)



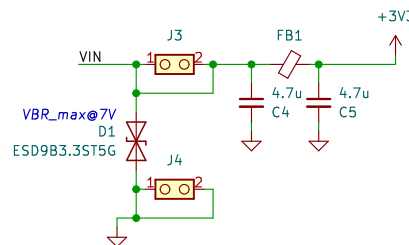
I/O Headers



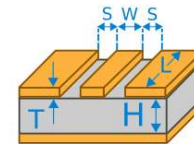
Optional Filter Capacitors:
Use in case of poor SI on serial ports



SPI FILTERING



EXTERNAL PWR & ESD



Substrate Parameters	Physical Parameters
er: 4.6	W: 0.876588 mm
tanδ: 0.02	S: 25 mm
ρ: 1.12e-9	L: 0 mm
κ: 0.71	
T: 0.035 mm	
μ(conductor): 1	
<input type="button" value="Analyze"/> <input type="button" value="Synthesize"/>	
Component Parameters	Results
Frequency: 868 MHz	Effective er: 2.71712
	Conductor losses: 0 dB
	Dielectric losses: 0 dB
	skin depth: 2.64039 μm

868MHz +13dBm Reference
design based on direct tie reference schematic (see datasheet)
Jesse Farrell - jessefarrell92@gmail.com

Sheet: /
File: RF_DevBoard.kicad_sch

Title: CMT2300A Development Board

Size: A4 Date: 2022-09-20

KiCad E.D.A. kicad (6.0.10)

Rev: 0

Id: 1/1