

TOP LEVEL DESIGN

Systems Able to be Validated Independently.

POWER

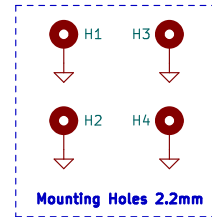


File: POWER.kicad_sch

MCU



File: MCU.kicad_sch



jessefarrell92@gmail.com

Jesse Farrell

Sheet: /

File: DevBoard_MCU&PWR.kicad_sch

Title: Boost Converter & MCU: Dual Dev Board

Size: A5

Date: 2022-09-21

Rev: 0

KiCad E.D.A. kicad (6.0.10)

Id: 1/3

POWER

3V3 BUCK/BOOST

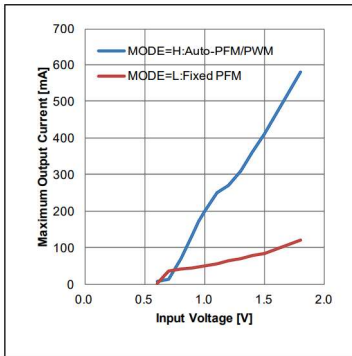
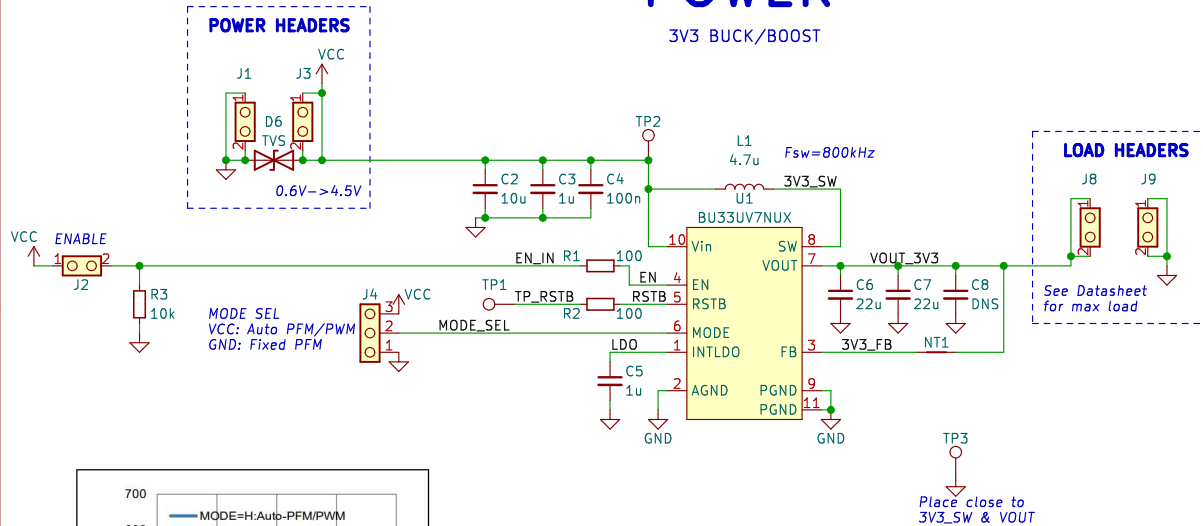


Figure 10. Maximum Output Current vs Input Voltage ("Maximum lout vs VIN", EN= H)

jessefarrell92@gmail.com

Jesse Farrell

Sheet: /POWER/

File: POWER.kicad_sch

Title: BU33UV7NUX Dev Board

Size: A5

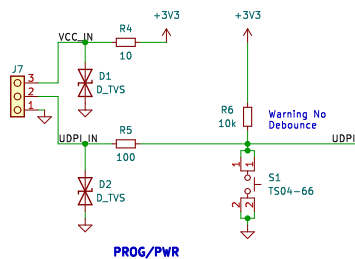
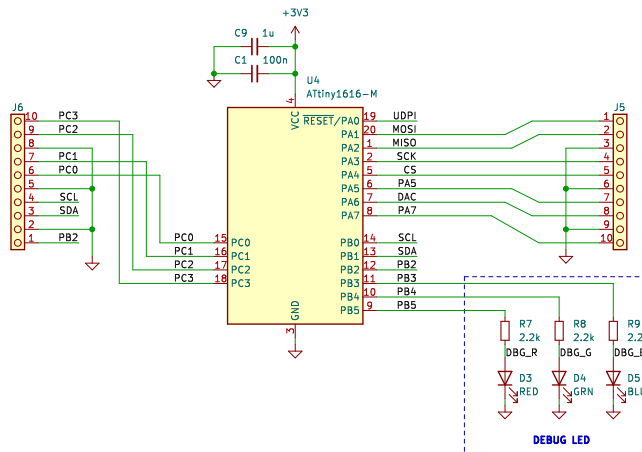
Date: 2022-10-03

KiCad E.D.A. kicad (6.0.10)

Rev: 0

Id: 2/3

MICROCONTROLLER



Jessefarrell92@gmail.com

Jesse Farrell

Sheet: /MCU/

File: MCU.kicad_sch

Title: ATTINY1616 Dev Board

Size: A4 Date: 2022-10-03

KiCad E.D.A. kicad (6.0.10)

Rev: 0

Id: 3/3