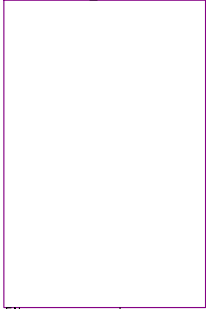


- MountingHole_Pad H18
- MountingHole_Pad H19
- MountingHole_Pad H20
- MountingHole_Pad H21

- FID1 Fiducial
- FID2 Fiducial
- FID3 Fiducial

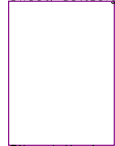
- FID4 Fiducial
- FID5 Fiducial
- FID6 Fiducial

Sheet: dcdc_sensors



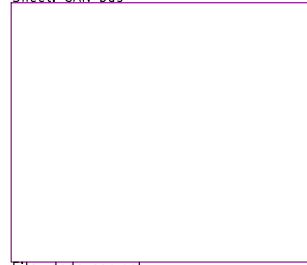
File: sensors.sch

Sheet: deltaxigma



File: deltaxigma.sch

Sheet: CAN_bus



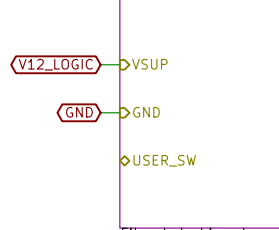
File: dcdc_can.sch

Sheet: USB_port_Isolated



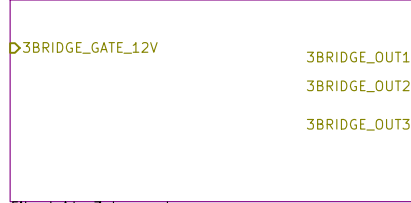
File: dcdc_usb.sch

Sheet: Battery Interface



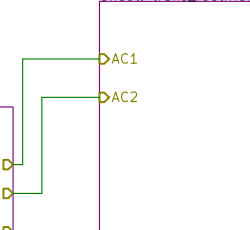
File: dcdc_bic.sch

Sheet: Sheet5F6FEFEB



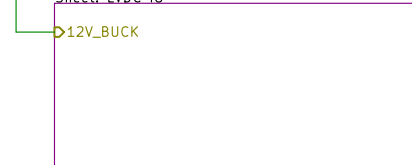
File: bridge3phase.sch

Sheet: trans_rectifier



File: trans_rectifier.sch

Sheet: LVDC_IO



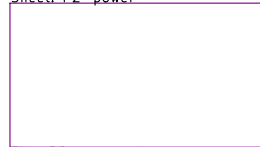
File: power_io_filters.sch

Sheet: Sheet5EBDA378

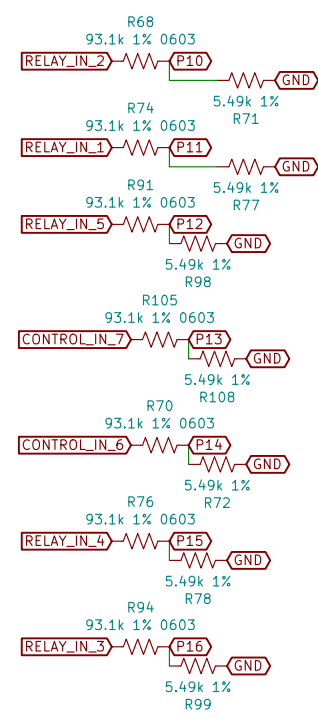
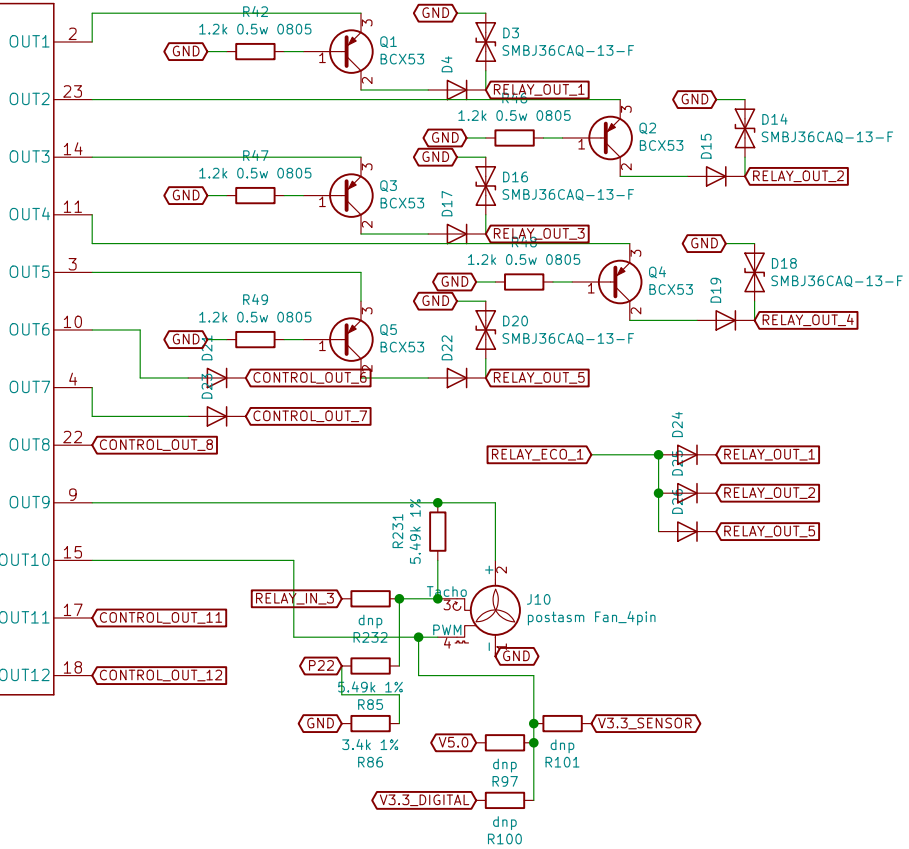
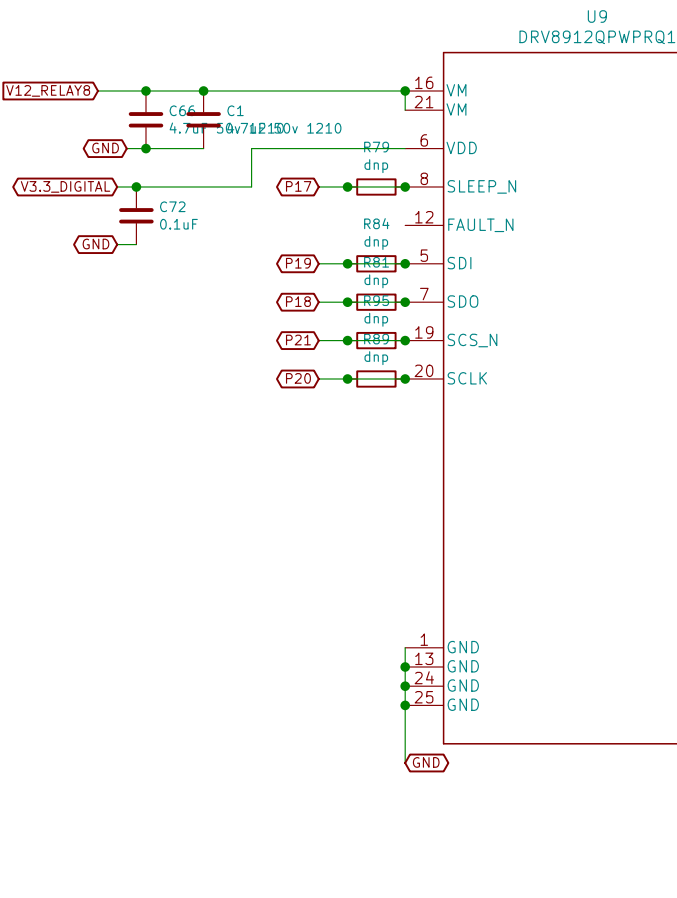
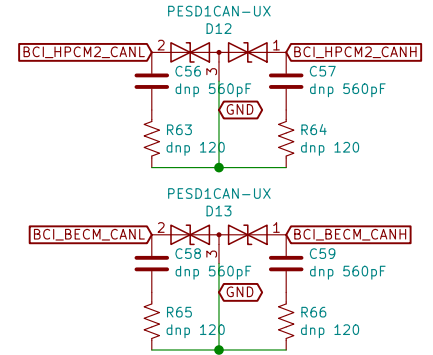
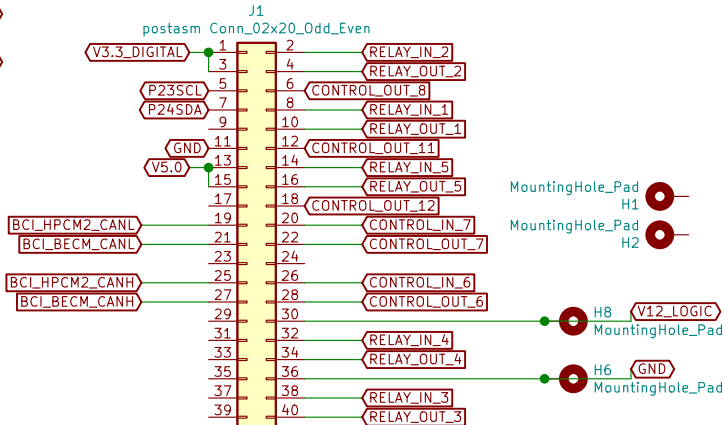
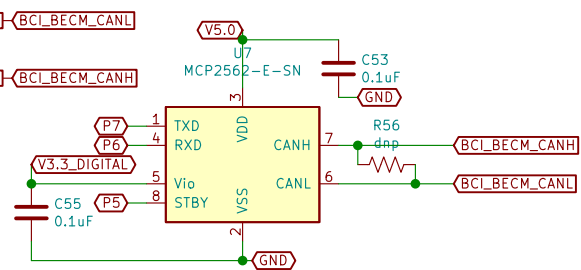
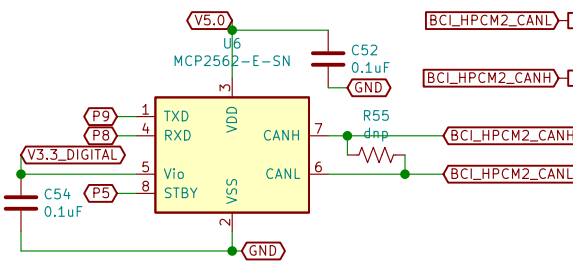
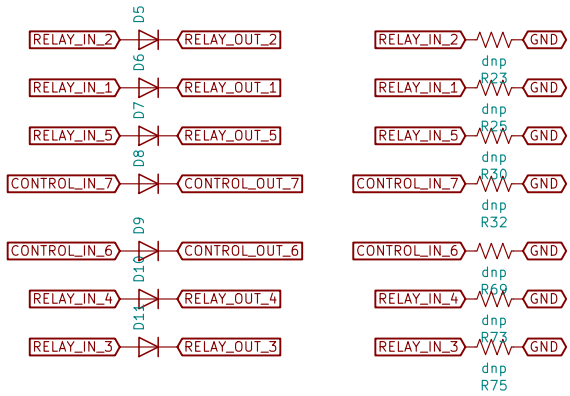


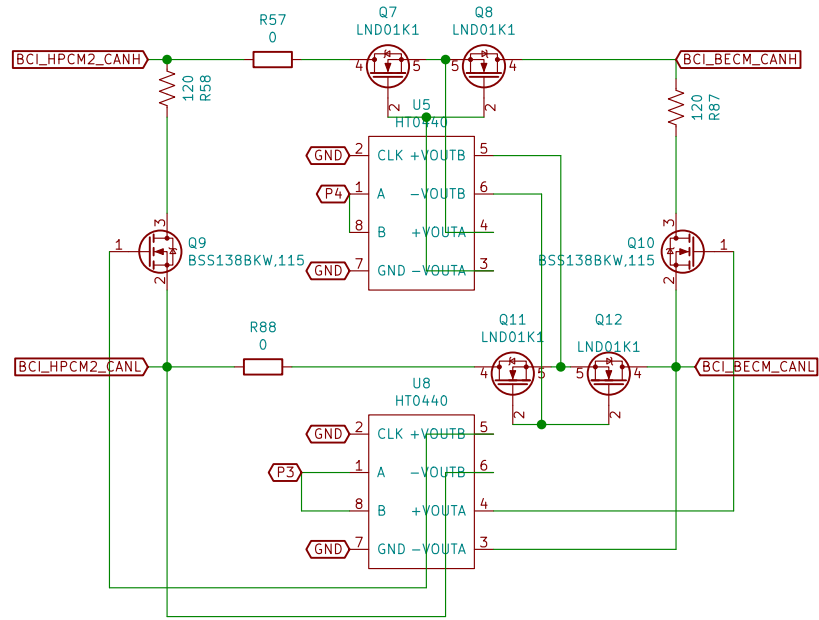
File: P2_core.sch

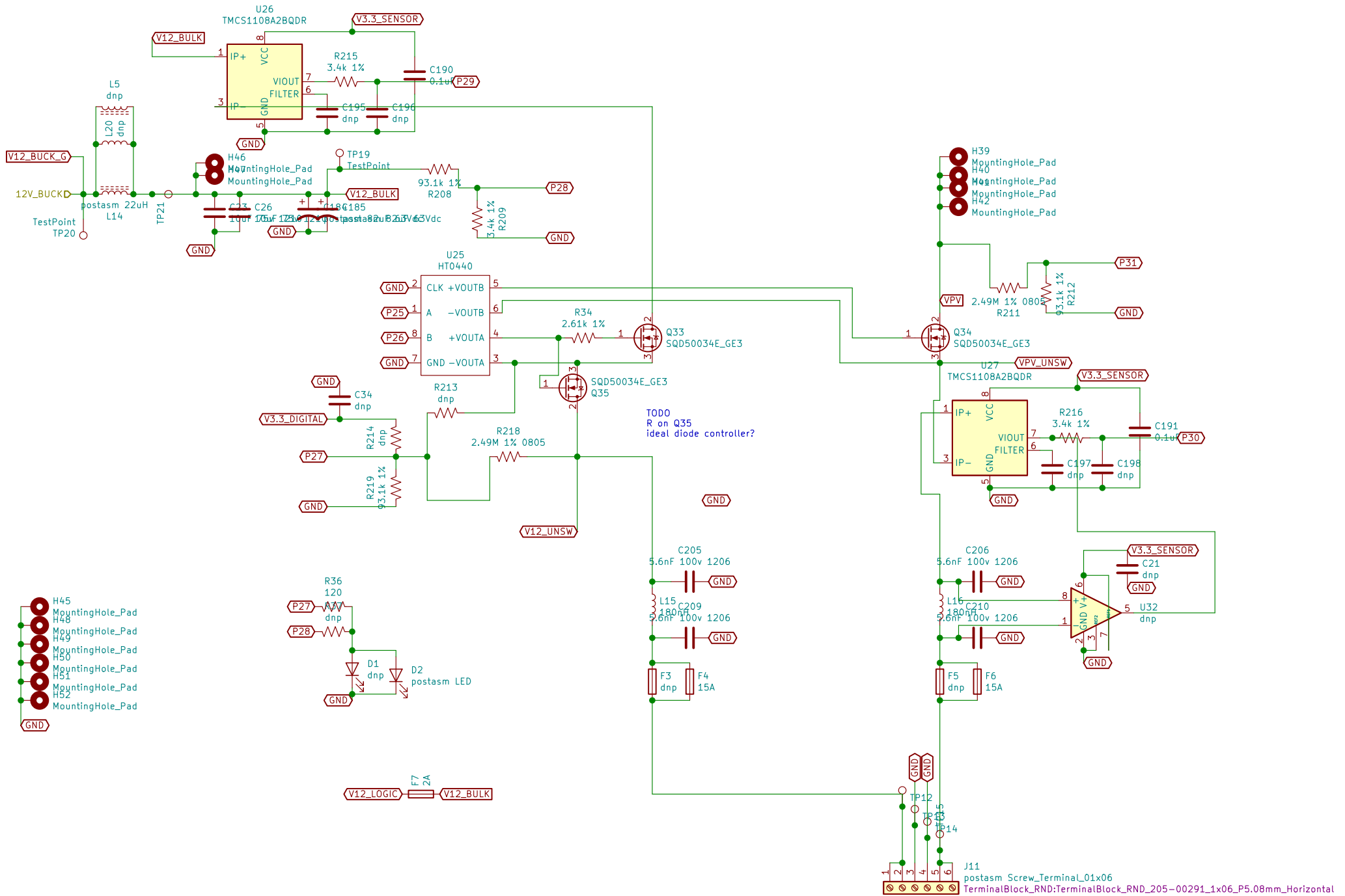
Sheet: P2-power



File: P2-power.sch

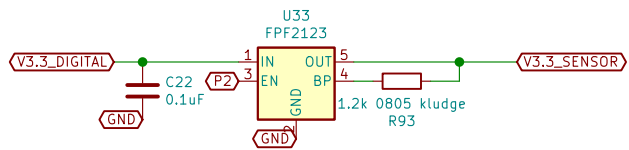
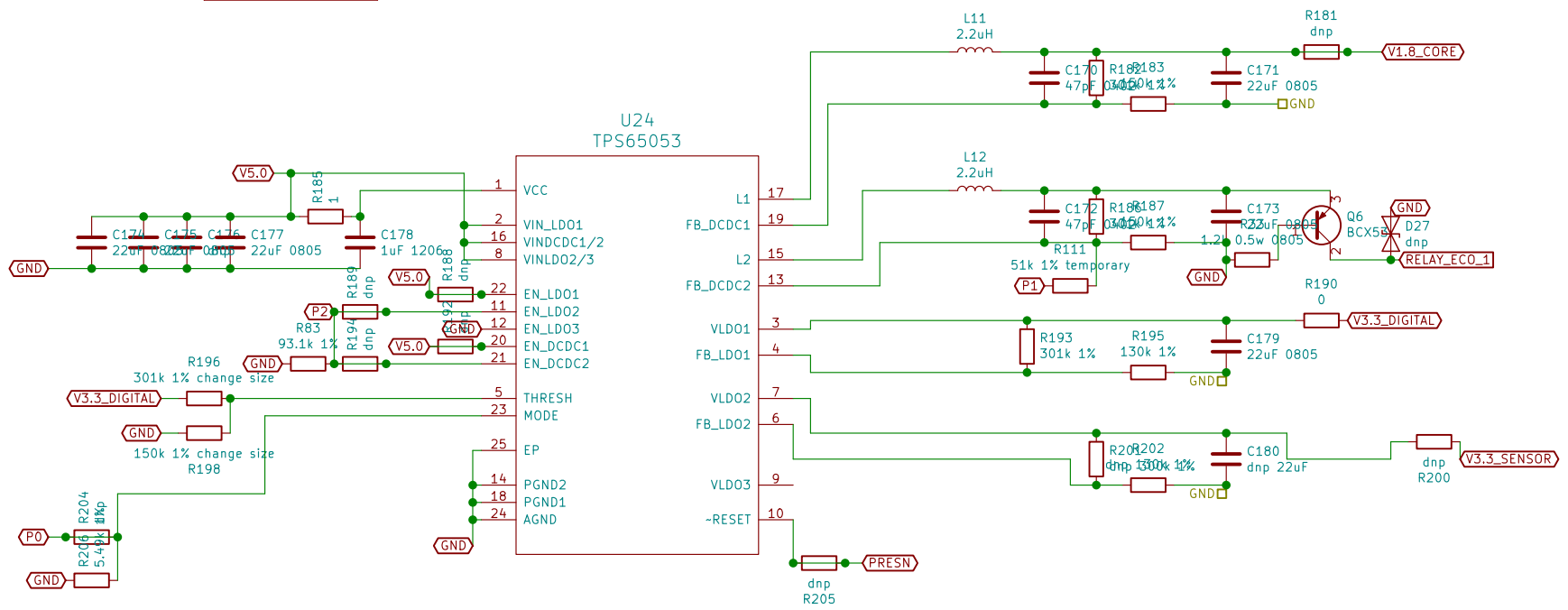
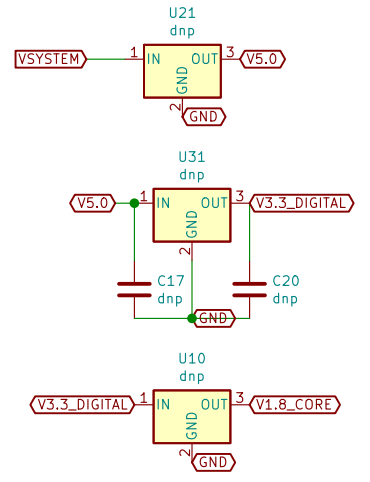
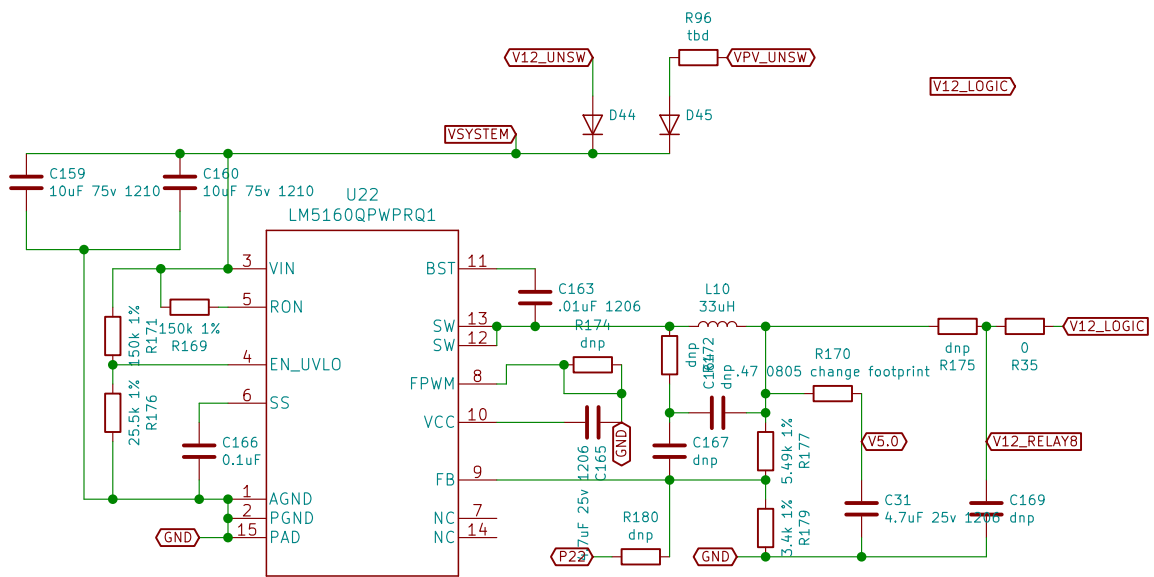


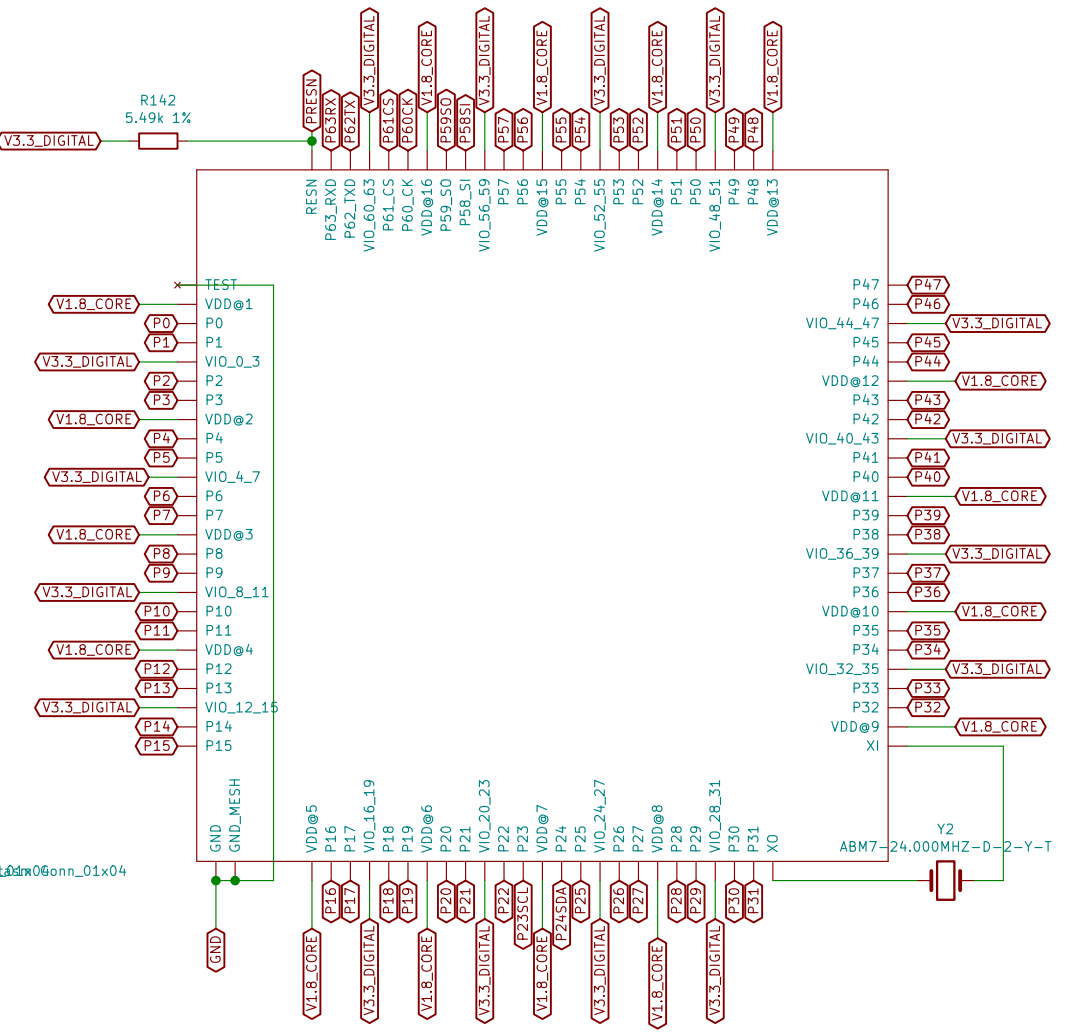
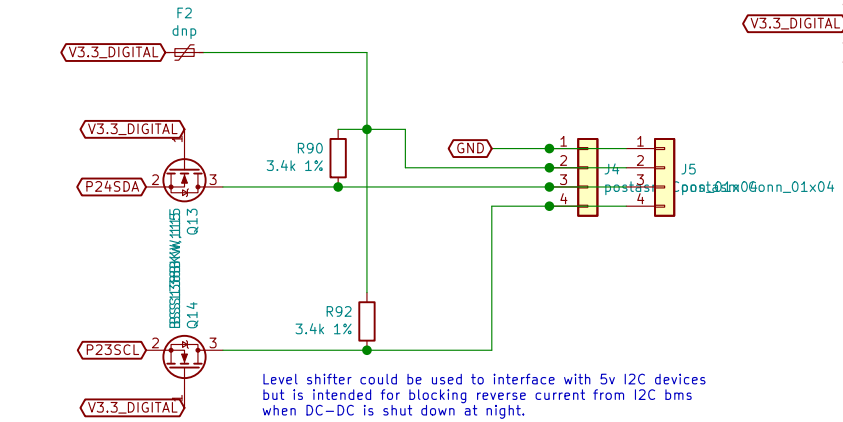
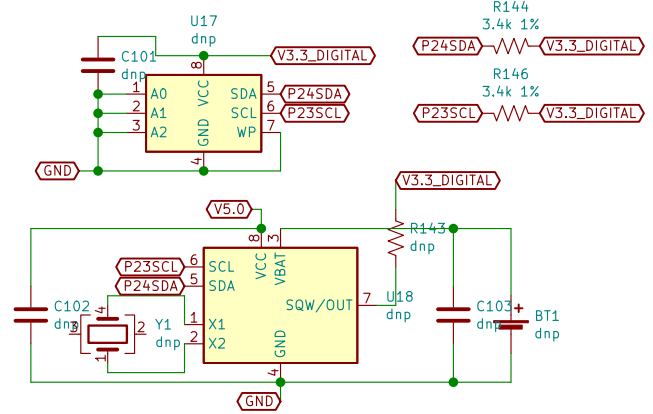
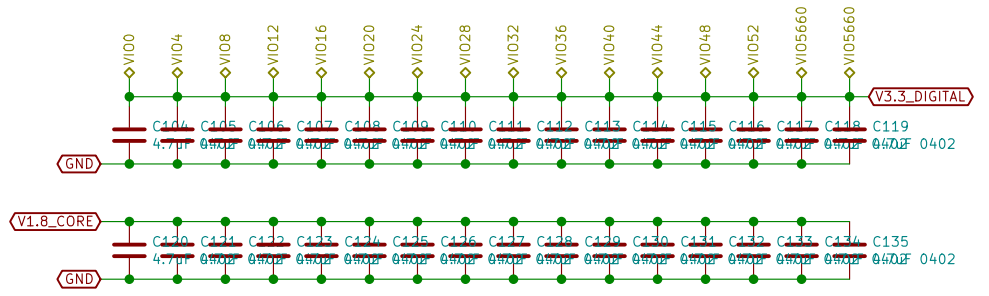
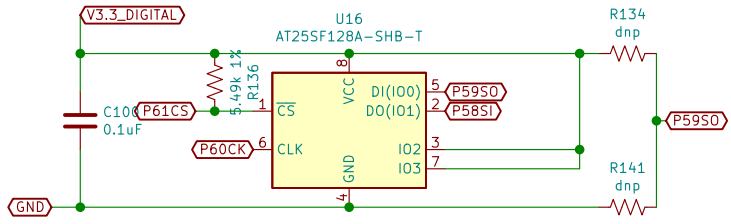


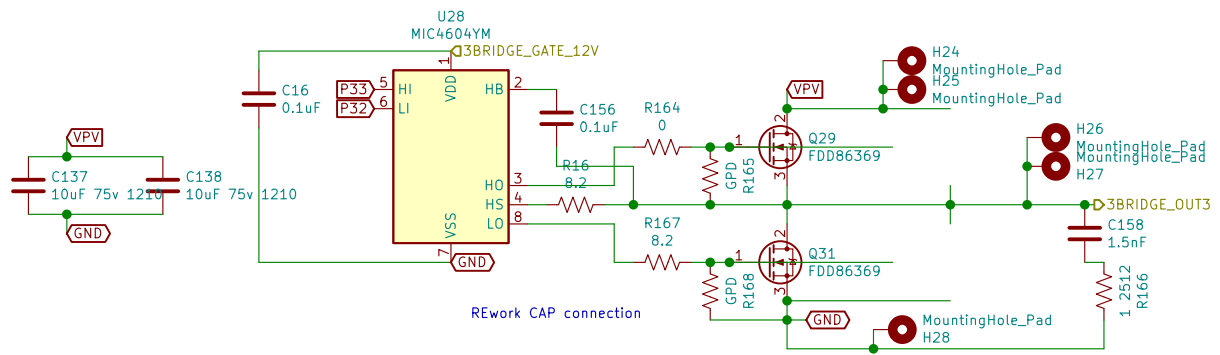
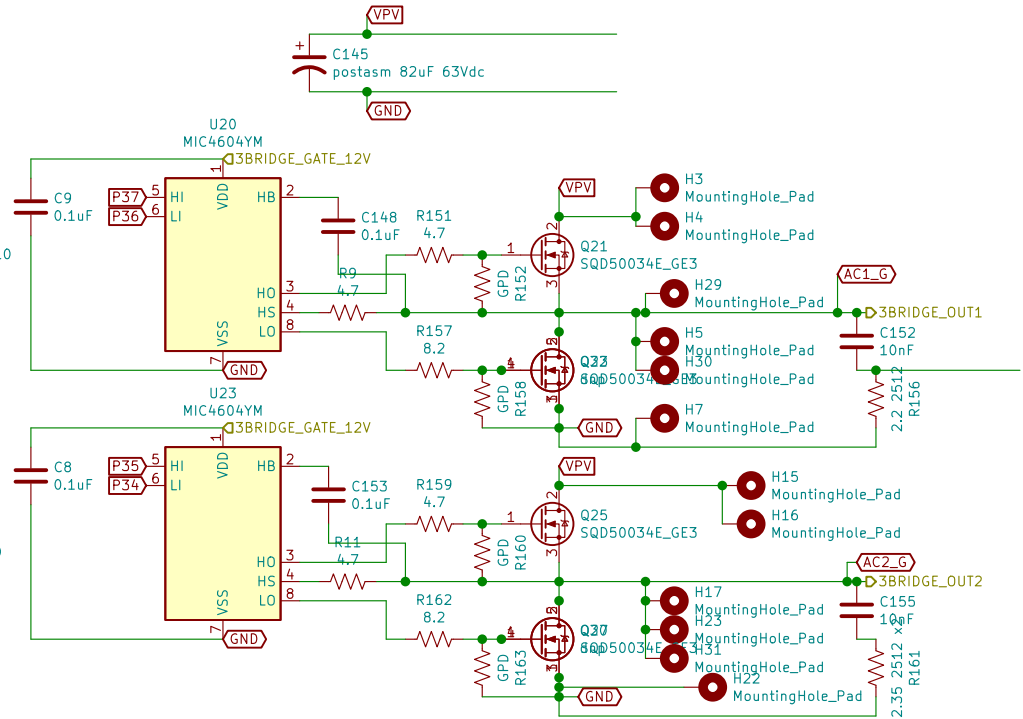
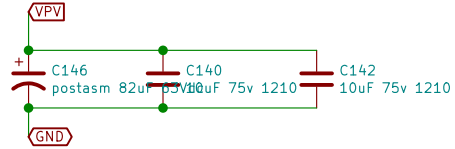
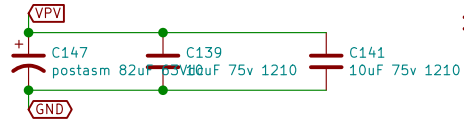
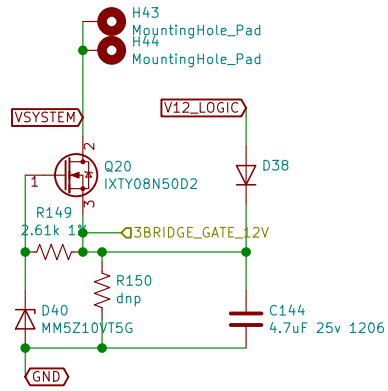


TODO
R on Q35
ideal diode controller?

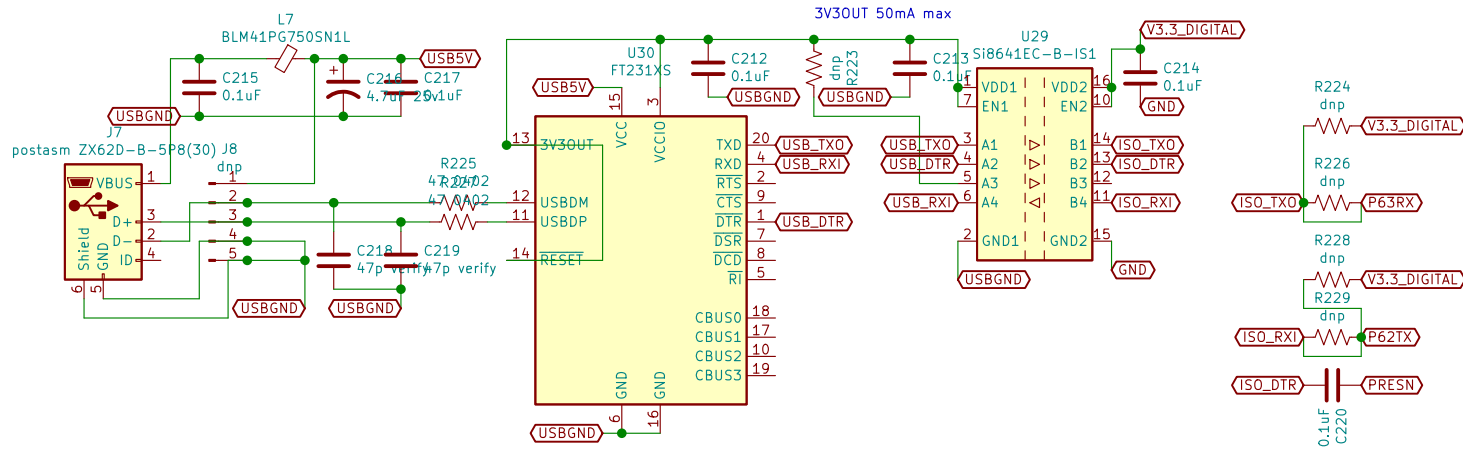
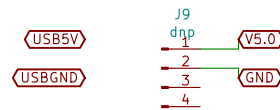
J11
postasm Screw_Terminal_01x06
TerminalBlock_RND:TerminalBlock_RND_205-00291_1x06_P5.08mm_Horizontal

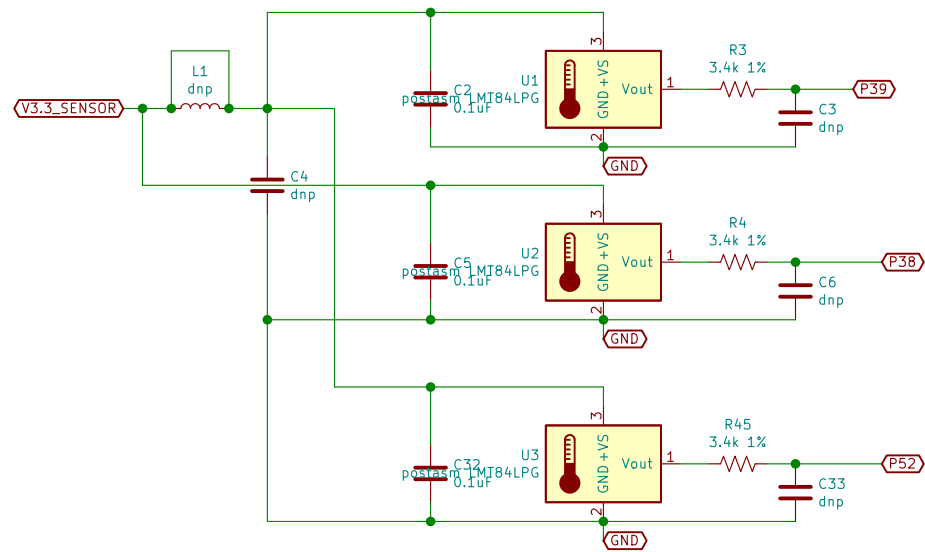


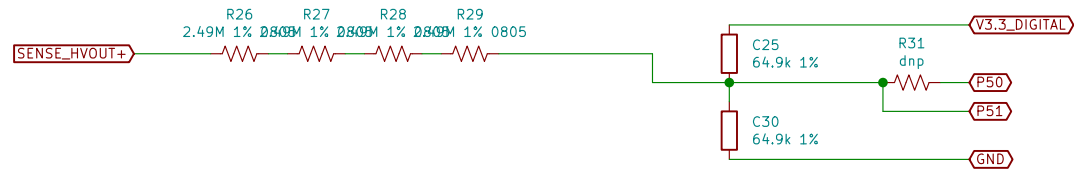
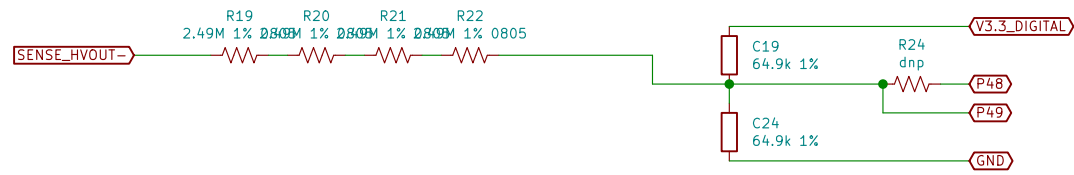
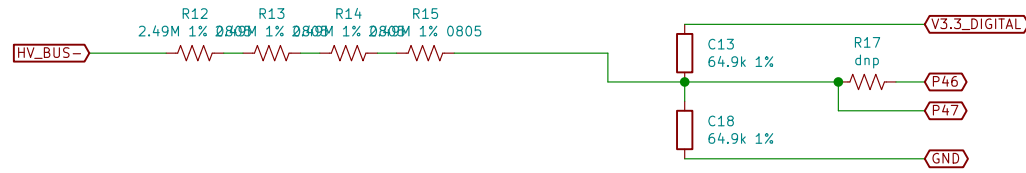
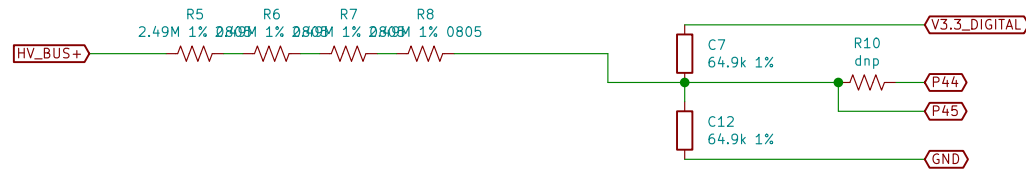




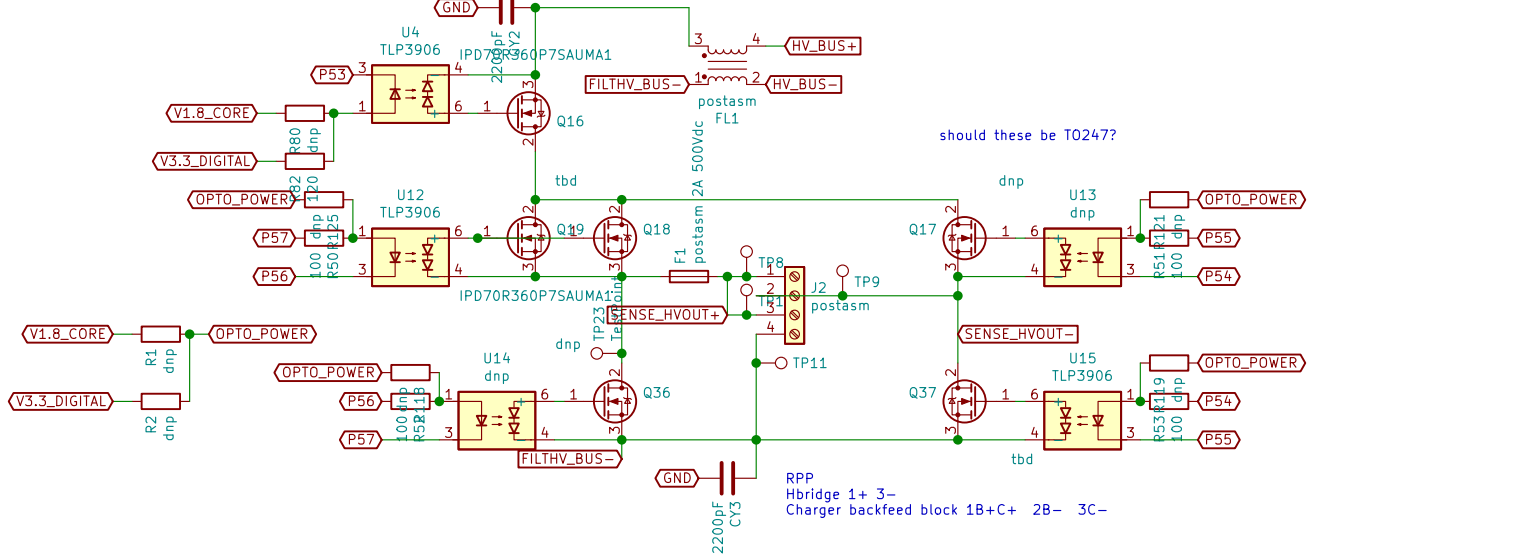
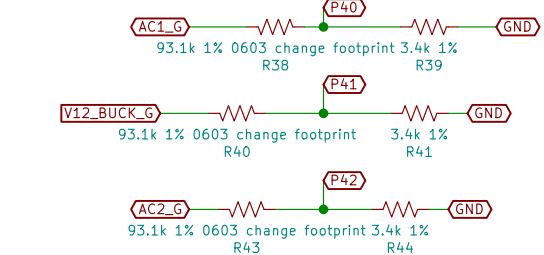
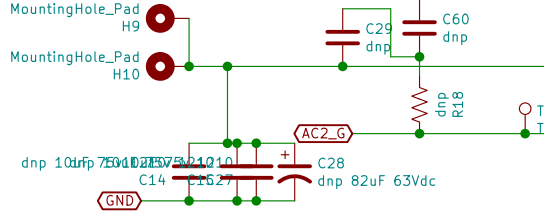
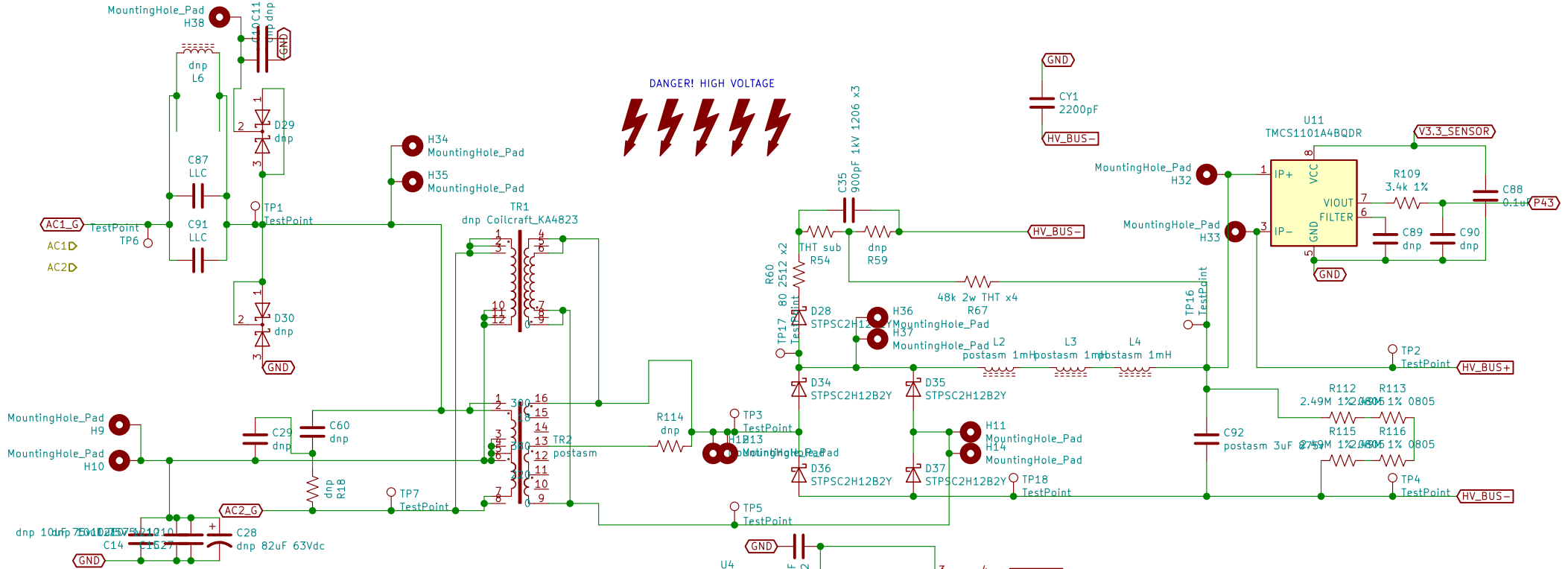
for jumping to J8, either directly
or with an isolated DCDC in J9







VPV



RPP
Hbridge 1+ 3-
Charger backfeed block 1B+C+ 2B- 3C-