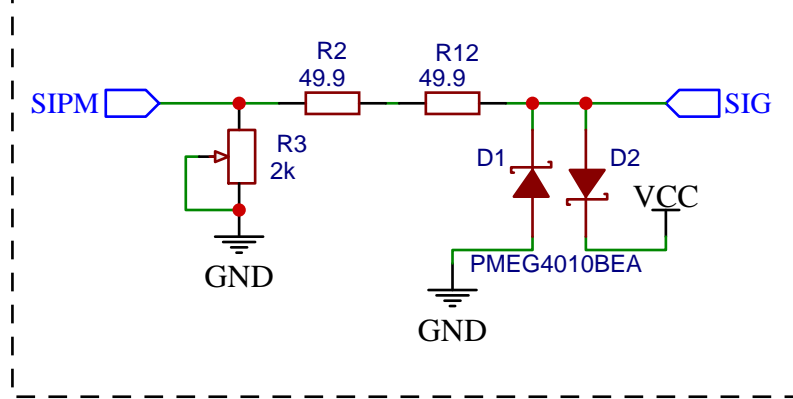
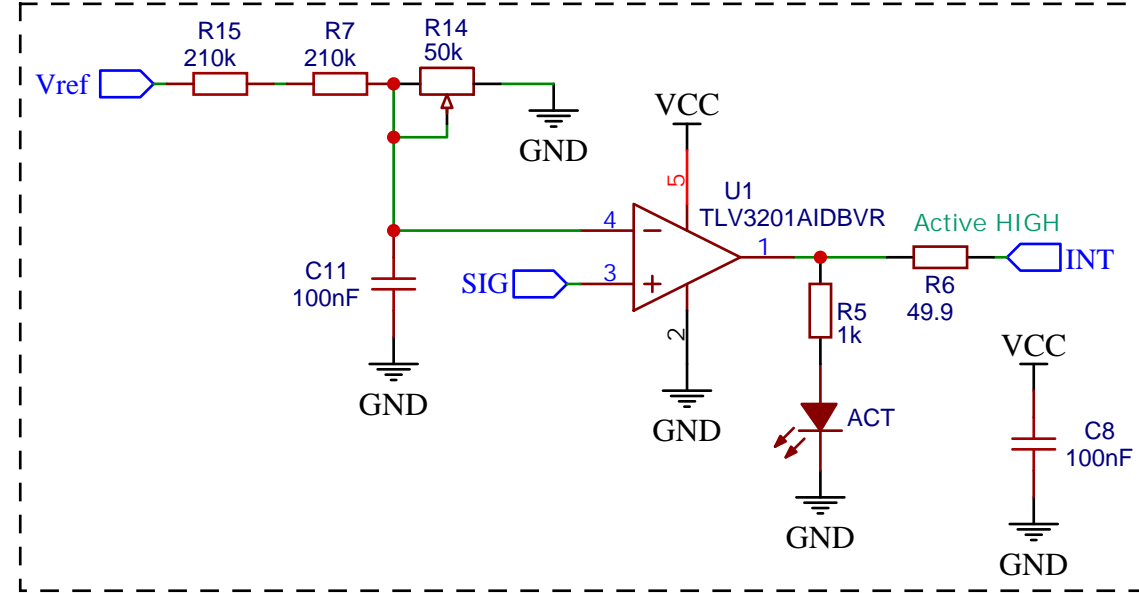


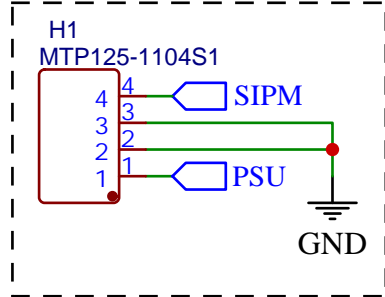
### SiPM Pulse Output



### Pulse Discriminator

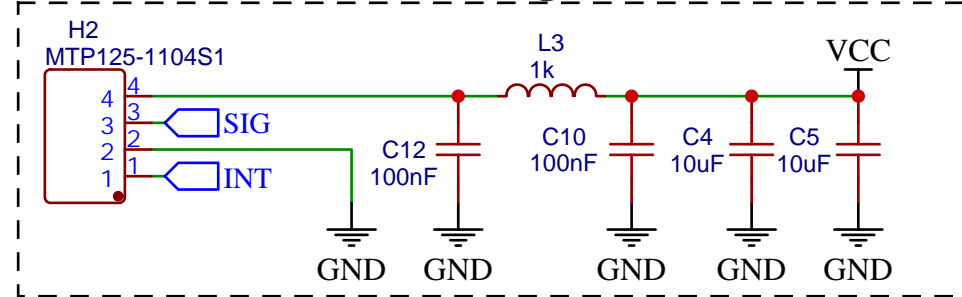


### SiPM



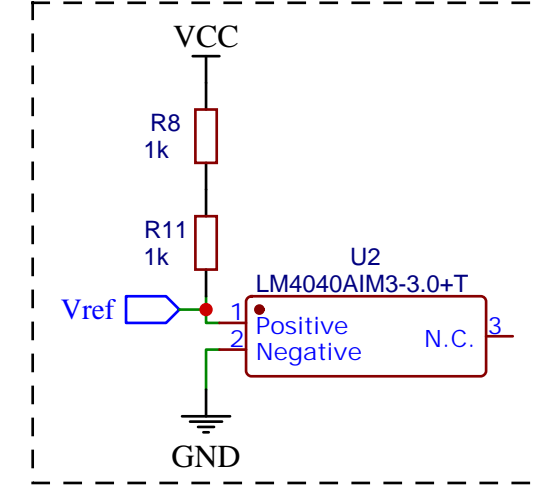
27.5 - 33.8V OUT

### I/O with VCC filtering

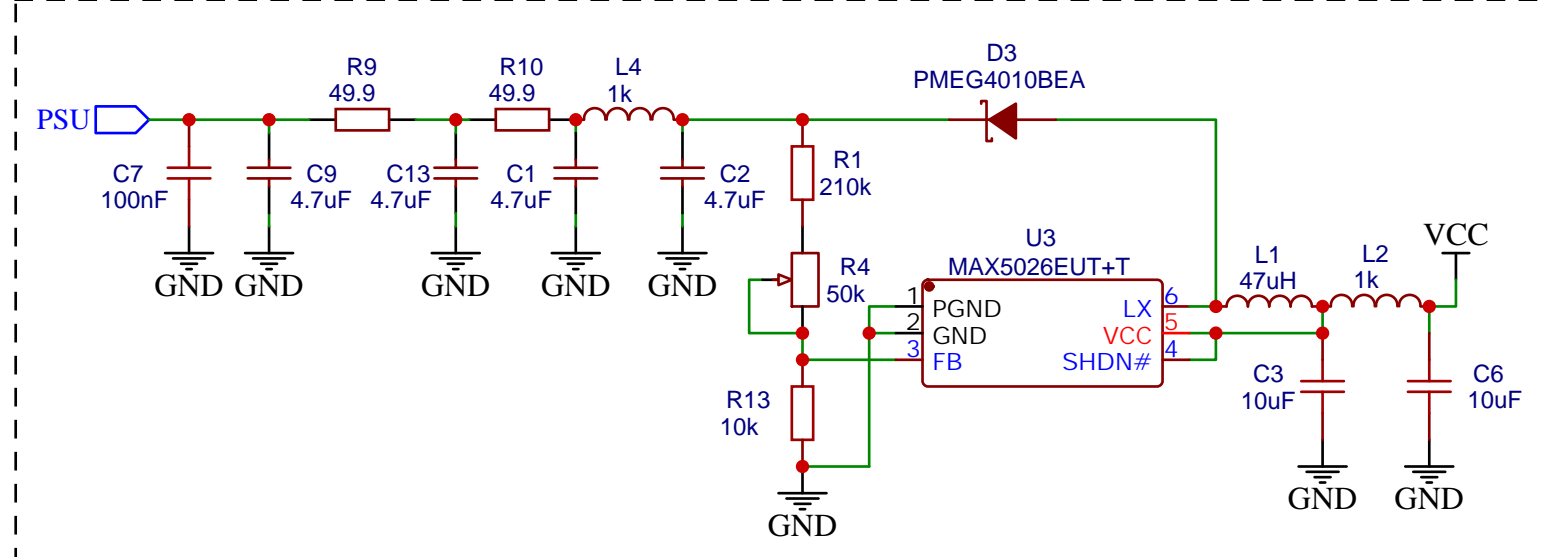


3.2 - 5.5V IN

### Reference



### SiPM PSU (not temp corrected)



TITLE: OpenGamma Mini SiD		REV: 4.0
Company: -		Sheet: 1/1
Date: 2023-11-22	Drawn By: NuclearPhoenix	