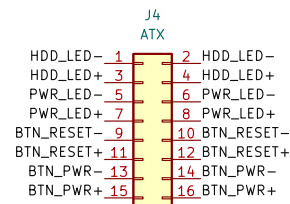
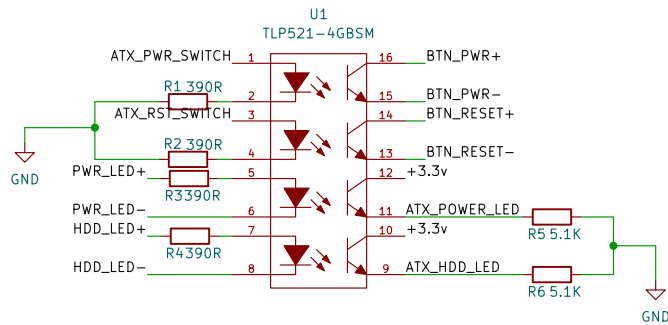


- H1 MountingHole
- H2 MountingHole



Sheet: /  
File: ATX&USB\_Breakout\_Board.kicad\_sch

**Title:**

Size: A4  
KiCad E.D.A. kicad (6.0.10-0)

Date:  
Rev:  
Id: 1/1