

MAX PCB SIZE: 245mm x 95mm

ALL SPEAKER CONNECTORS ARE 4-PIN, 5.0mm, RIGHT ANGLE SCREW TERMINAL BLOCKS

POWER SUPPLY: 12V / 3A

RECOMMENDED POWER SUPPLY SIZE: 110mm x 80mm

jayakody2000lk@gmail.com

jayakody2000lk.blogspot.com

Dilshan R Jayakody

Sheet: /

File: speaker-selector-v2.kicad_sch

Title: 6-Channel Speaker Selector

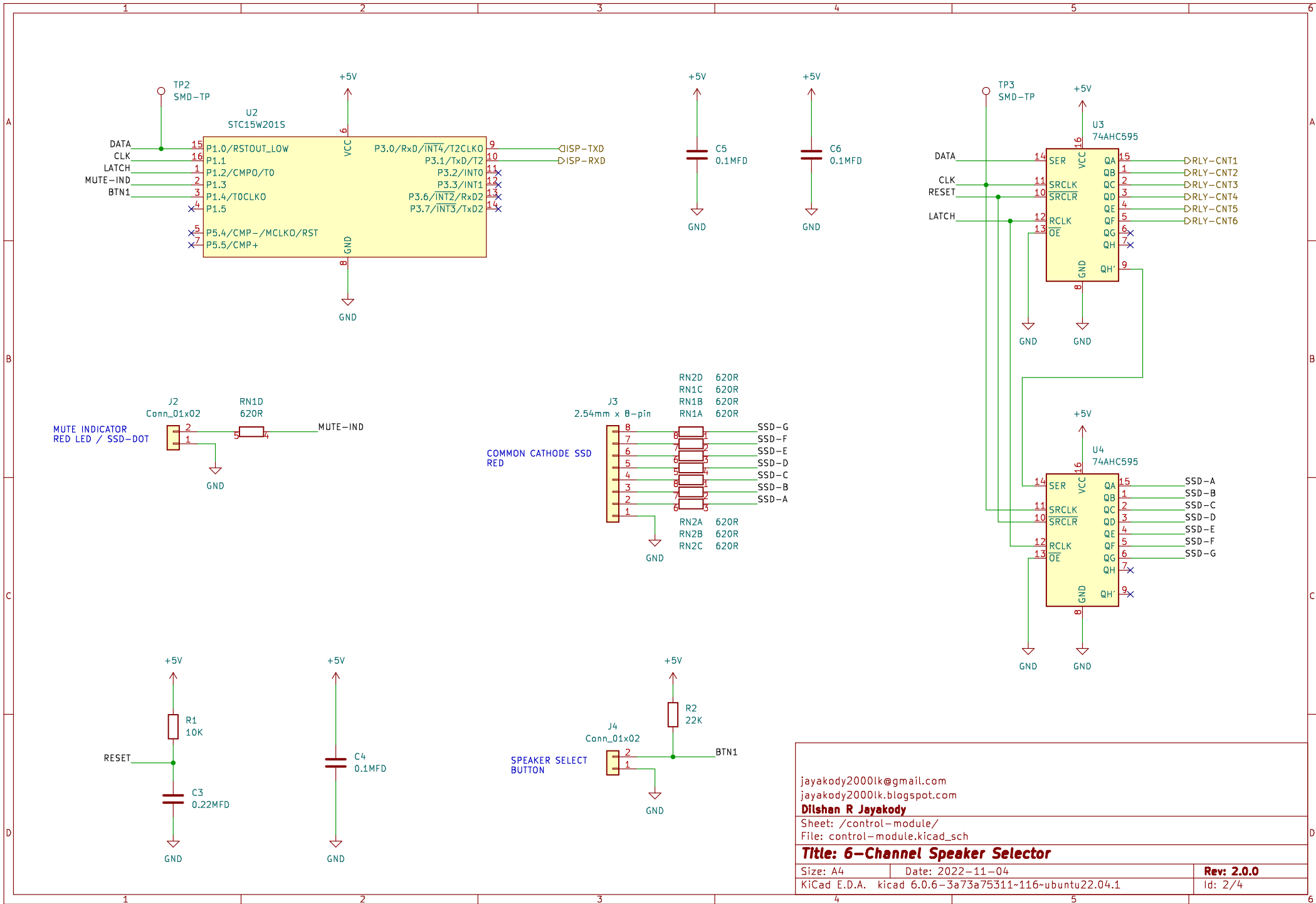
Size: A4

Date: 2022-11-04

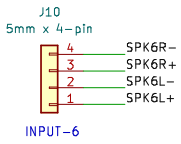
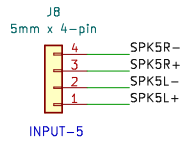
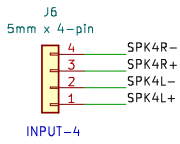
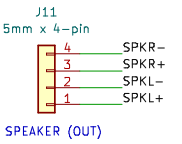
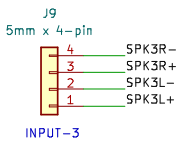
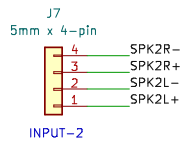
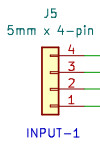
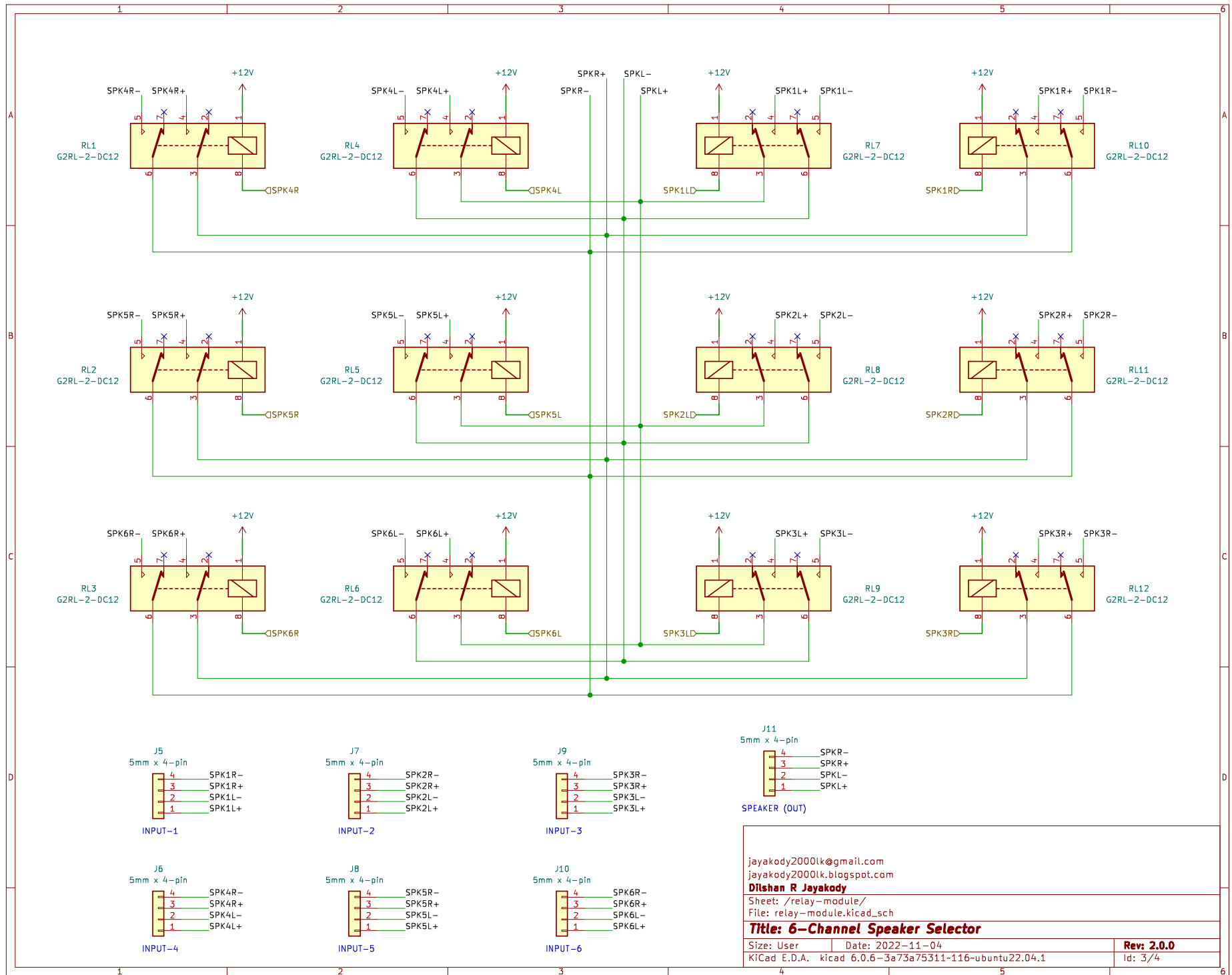
Rev: 2.0.0

KiCad E.D.A. kicad 6.0.6-3a73a75311-116-ubuntu22.04.1

Id: 1/4



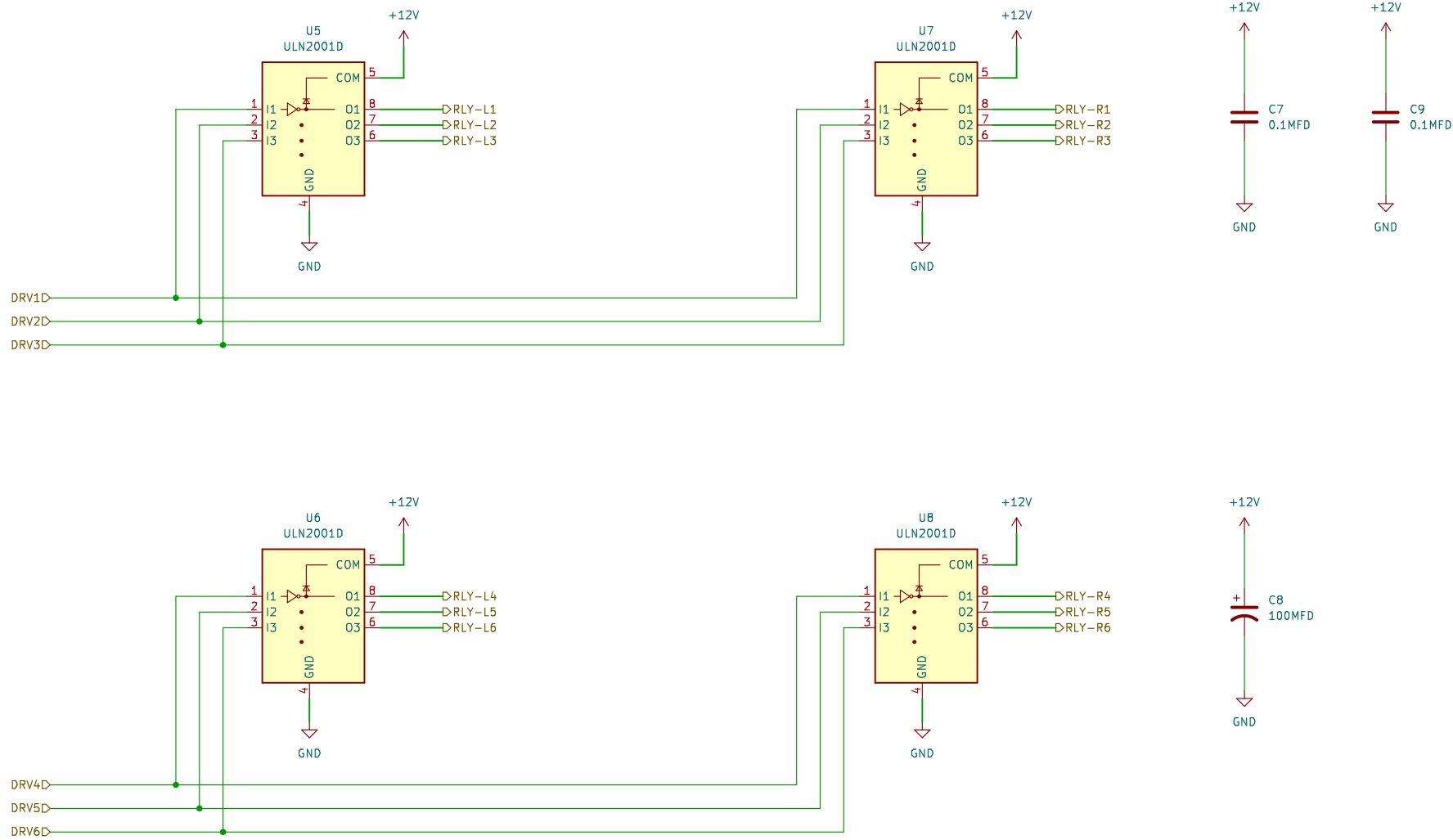
jayakody2000lk@gmail.com		
jayakody2000lk.blogspot.com		
Dilshan R Jayakody		
Sheet: /control-module/		
File: control-module.kicad_sch		
Title: 6-Channel Speaker Selector		
Size: A4	Date: 2022-11-04	Rev: 2.0.0
KiCad E.D.A. kicad 6.0.6-3a73a75311-116-ubuntu22.04.1		Id: 2/4



jayakody2000lk@gmail.com
 jayakody2000lk.blogspot.com
Dilshan R Jayakody
 Sheet: /relay-module/
 File: relay-module_sch

Title: 6-Channel Speaker Selector

Size: User	Date: 2022-11-04	Rev: 2.0.0
KiCad E.D.A. kicad 6.0.6-3a73a75311-116-ubuntu22.04.1		
		Id: 3/4



jayakody2000lk@gmail.com
 jayakody2000lk.blogspot.com

Dilshan R Jayakody

Sheet: /relay-driver-module/

File: relay-driver-module.kicad_sch

Title: 6-Channel Speaker Selector

Size: A4 Date: 2022-11-04

KiCad E.D.A. kicad 6.0.6-3a73a75311-116-ubuntu22.04.1

Rev: 2.0.0

Id: 4/4