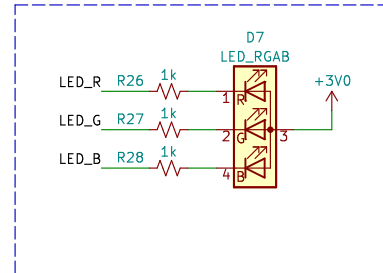
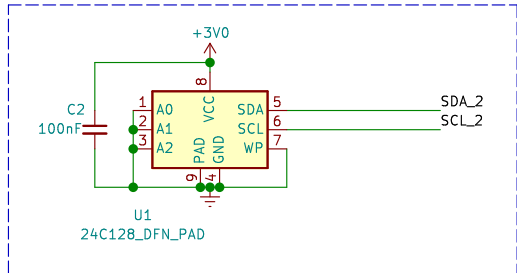
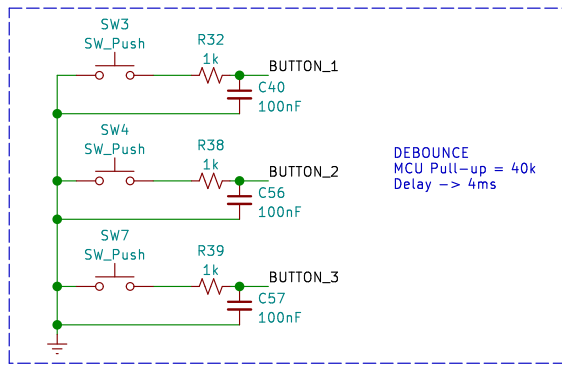


Sheet:		File: Hermetis_Mini.kicad_sch	
Title: Hermetis			
Size: A4	Date:	Rev: 1.3	
KiCad E.D.A. kicad (7.0.0-0)		Id: 1/7	



RST_4410 → RST_4410
INT_4410 → INT_4410
RST_4510 → RST_4510
INT_4510 → INT_4510

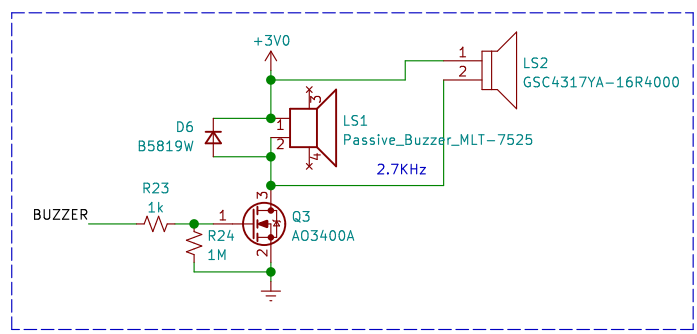
LTR_INT → LTR_INT
SCL_1 → SCL_1
SDA_1 → SDA_1
SCL_2 → SCL_2
SDA_2 → SDA_2

BLE_TX → BLE_TX
BLE_RX → BLE_RX
BLE_EN → BLE_EN
IO4 → IO4

BUSY → BUSY
RST → RST
D/C → D/C
CS → CS
SCLK → SCLK
MOSI → MOSI
EPD_OC → EPD_OC
EPD_EN → EPD_EN

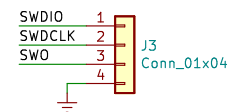
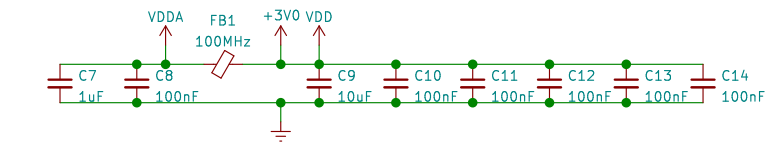
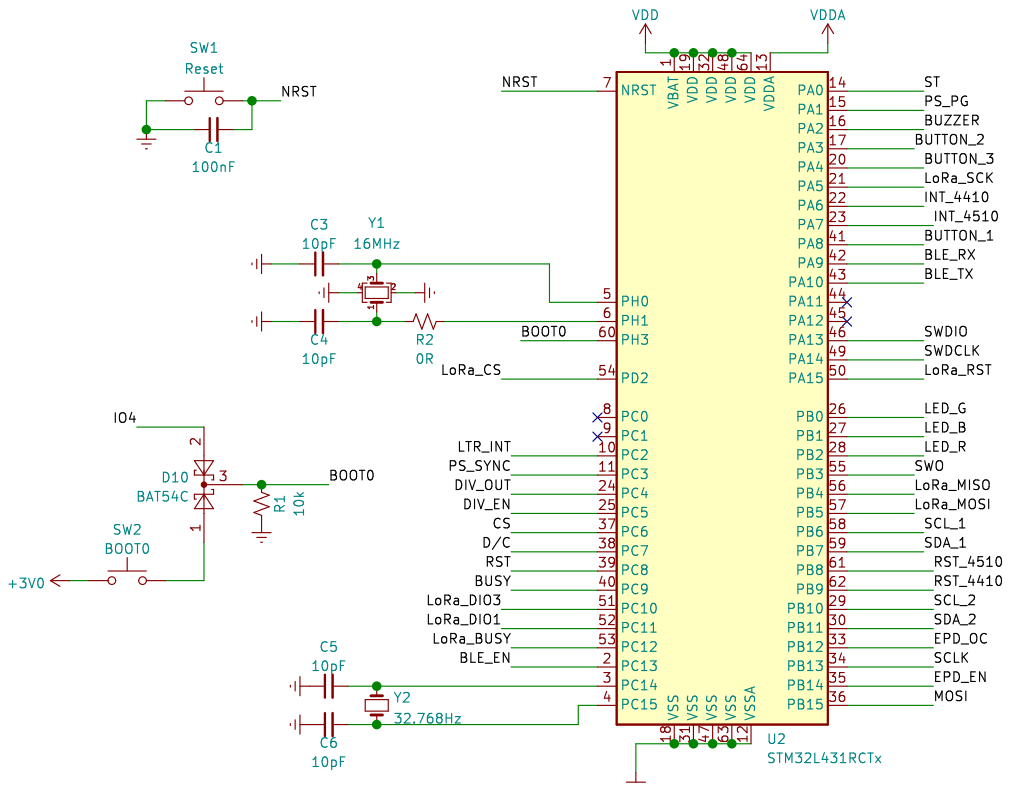
ST → ST
PS_PG → PS_PG
DIV_EN → DIV_EN
DIV_OUT → DIV_OUT
PS_SYNC → PS_SYNC

LoRa_RST → LoRa_RST
LoRa_MISO → LoRa_MISO
LoRa_MOSI → LoRa_MOSI
LoRa_SCK → LoRa_SCK
LoRa_CS → LoRa_CS
LoRa_BUSY → LoRa_BUSY
LoRa_DIO1 → LoRa_DIO1
LoRa_DIO3 → LoRa_DIO3

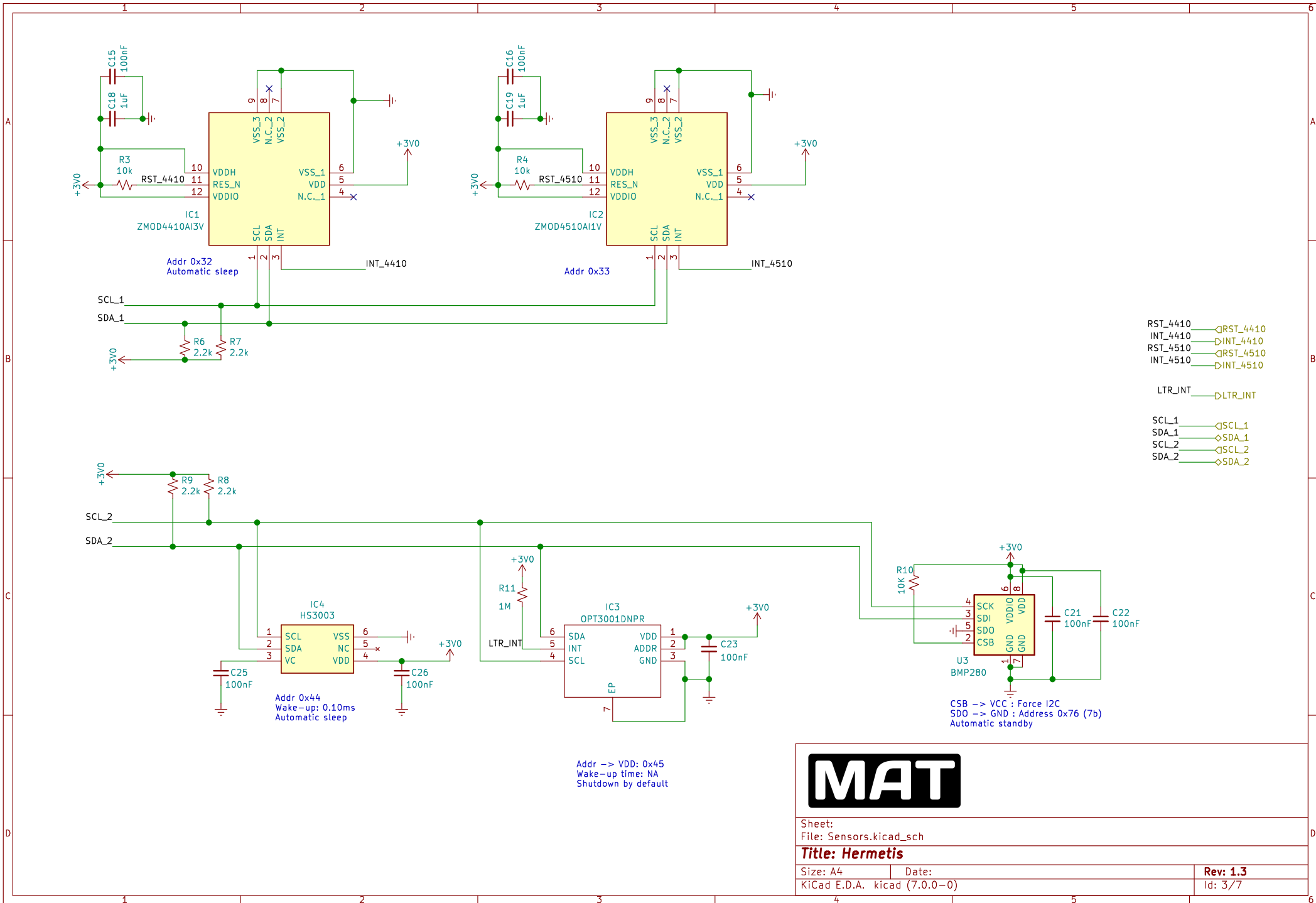


LOGO G2 Logo
LOGO G1 Logo

- H1 MountingHole
- H2 MountingHole
- H3 MountingHole
- H4 MountingHole



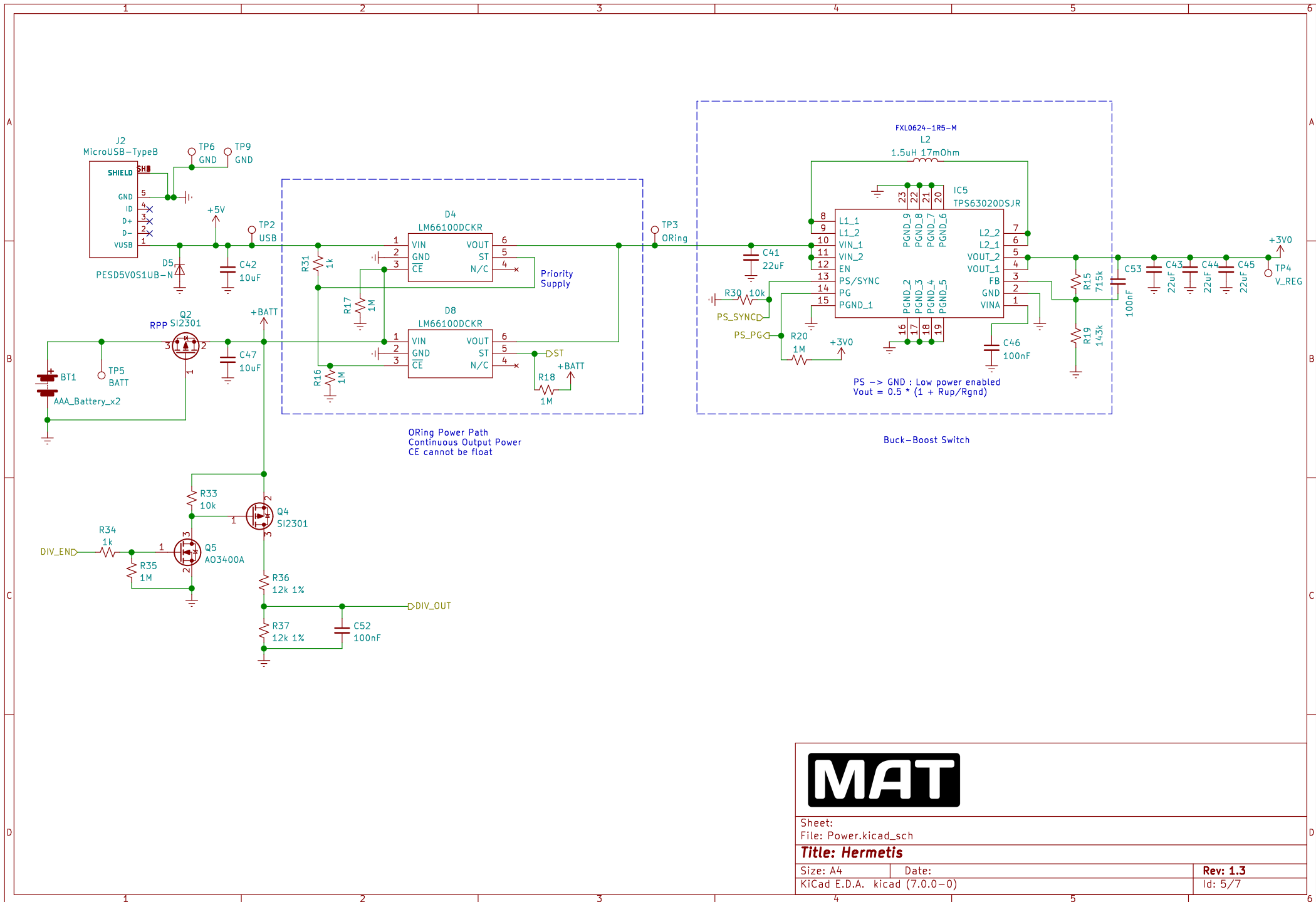
Sheet:	
File: MCU.kicad_sch	
Title: Hermetis	
Size: A4	Date:
KiCad E.D.A. kicad (7.0.0-0)	Rev: 1.3
	Id: 2/7



- RST_4410
- INT_4410
- RST_4510
- INT_4510
- LTR_INT
- SCL_1
- SDA_1
- SCL_2
- SDA_2



Sheet:	
File: Sensors.kicad_sch	
Title: Hermetis	
Size: A4	Date:
KiCad E.D.A. kicad (7.0.0-0)	Rev: 1.3
	Id: 3/7



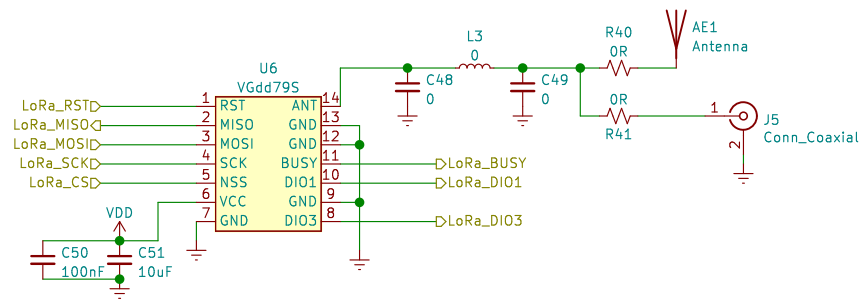
MAT

Sheet:
File: Power.kicad_sch

Title: Hermetis

Size: A4 Date:
KiCad E.D.A. kicad (7.0.0-0)

Rev: 1.3
Id: 5/7



Sleep Mode by software
 < 1uA

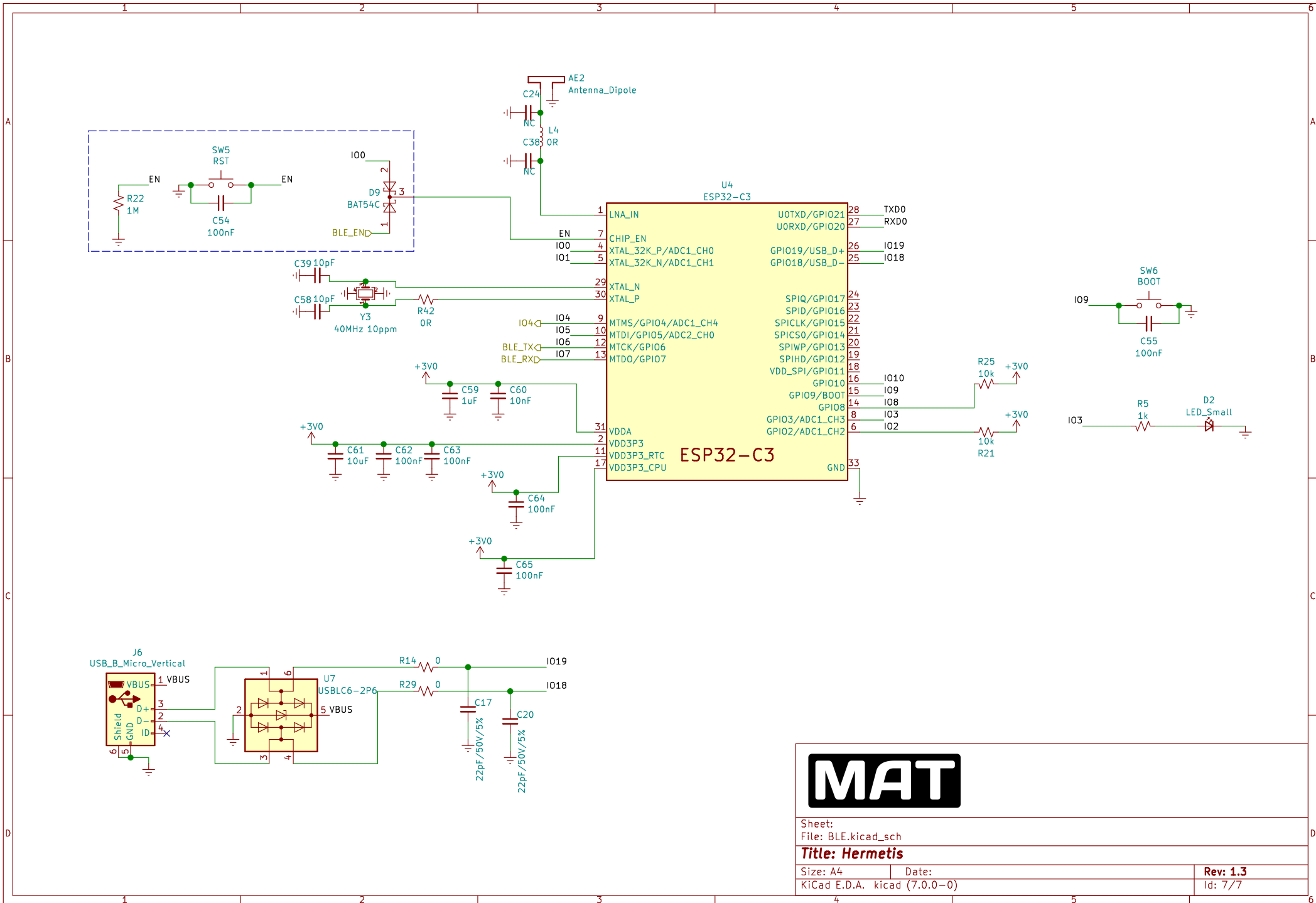


Sheet:
 File: LoRa.kicad_sch

Title: Hermetis

Size: A4 Date:
 KiCad E.D.A. kicad (7.0.0-0)

Rev: 1.3
 Id: 6/7



Sheet:	
File: BLE.kicad_sch	
Title: Hermetis	
Size: A4	Date:
KiCad E.D.A. kicad (7.0.0-0)	Rev: 1.3
	Id: 7/7